

PRO-FORM[®]

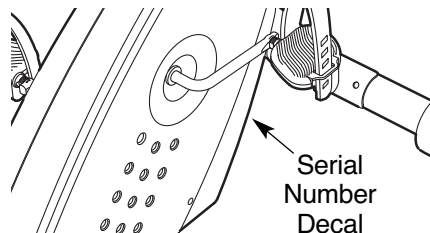
280 CSX

www.proform.com

Model No. PFEX71608.1

Serial No. _____

Write the serial number in the space above for future reference.



USER'S MANUAL

QUESTIONS?

As a manufacturer, we are committed to providing complete customer satisfaction. If you have questions, or if parts are damaged or missing, **DO NOT CONTACT THE STORE;** please contact Customer Care.

IMPORTANT: You must note the product model number and serial number (see the drawing above) before contacting us:

CALL TOLL-FREE:

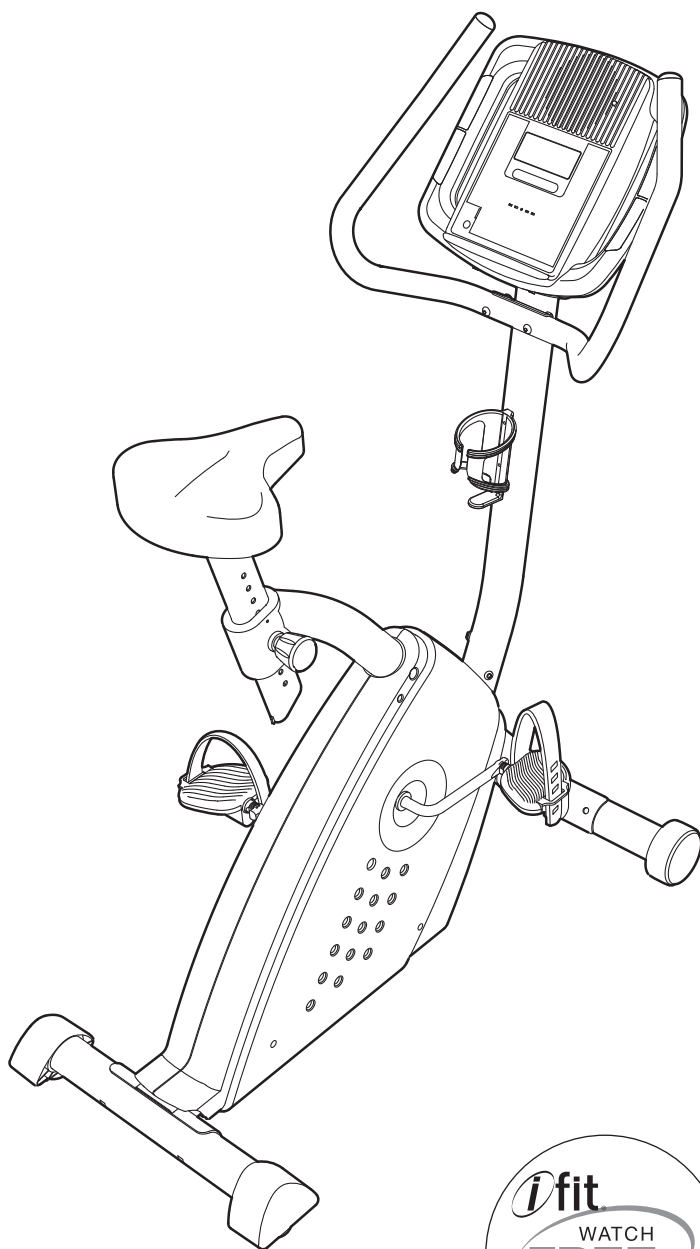
1-888-533-1333

Mon.–Fri. 6 a.m.–6 p.m. MT

Sat. 8 a.m.–4 p.m. MT

ON THE WEB:

www.proformservice.com



CAUTION

Read all precautions and instructions in this manual before using this equipment. Keep this manual for future reference.

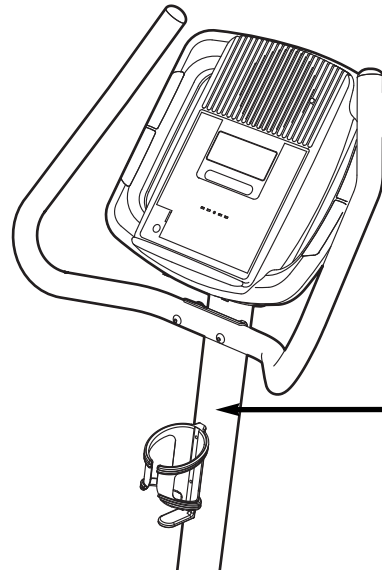


TABLE OF CONTENTS

WARNING DECAL PLACEMENT2
IMPORTANT PRECAUTIONS3
BEFORE YOU BEGIN4
ASSEMBLY5
HOW TO OPERATE THE EXERCISE CYCLE10
MAINTENANCE AND TROUBLESHOOTING15
EXERCISE GUIDELINES16
PART LIST18
EXPLODED DRAWING19
ORDERING REPLACEMENT PARTSBack Cover
LIMITED WARRANTYBack Cover

WARNING DECAL PLACEMENT

This drawing shows the location(s) of the warning decal(s). **If a decal is missing or illegible, see the front cover of this manual and request a free replacement decal. Apply the decal in the location shown.** Note: The decal(s) may not be shown at actual size.



WARNING

- Misuse of this machine may result in serious injury.
- Read user's manual prior to use and follow all warnings and instructions.
- Do not allow children on or around machine.
- Pedals continue to spin when you stop pedaling.
- Spinning pedals can cause injury.
- Reduce pedal speed in a controlled manner.
- User weight must not exceed 250 pounds.
- Replace label if damaged, illegible, or removed.

IMPORTANT PRECAUTIONS

⚠ WARNING: To reduce the risk of serious injury, read all important precautions and instructions in this manual and all warnings on your exercise cycle before using your exercise cycle. ICON assumes no responsibility for personal injury or property damage sustained by or through the use of this product.

1. Before beginning any exercise program, consult your physician. This is especially important for persons over the age of 35 or persons with pre-existing health problems.
2. It is the responsibility of the owner to ensure that all users of the exercise cycle are adequately informed of all precautions.
3. Your exercise cycle is intended for home use only. Do not use your exercise cycle in a commercial, rental, or institutional setting.
4. Keep your exercise cycle indoors, away from moisture and dust. Place your exercise cycle on a level surface, with a mat beneath it to protect the floor or carpet. Make sure that there is at least 2 ft. (0.6 m) of clearance around your exercise cycle.
5. Inspect and properly tighten all parts regularly. Replace any worn parts immediately.
6. Keep children under age 12 and pets away from your exercise cycle at all times.
7. Your exercise cycle should not be used by persons weighing more than 250 lbs. (113 kg).
8. Wear appropriate exercise clothes while exercising; do not wear loose clothes that could become caught on your exercise cycle. Always wear athletic shoes for foot protection while exercising.
9. When adjusting the seat, insert the adjustment knob into one of the holes in the seat post. Do not insert the seat pin under the seat post.
10. The pulse sensor is not a medical device. Various factors, including the user's movement, may affect the accuracy of heart rate readings. The pulse sensor is intended only as an exercise aid in determining heart rate trends in general.
11. Keep your back straight while using your exercise cycle; do not arch your back.
12. When you stop exercising, allow the pedals to slowly come to a stop.
13. If you feel pain or dizziness while exercising, stop immediately and cool down.
14. Use your exercise cycle only as described in this manual.

BEFORE YOU BEGIN

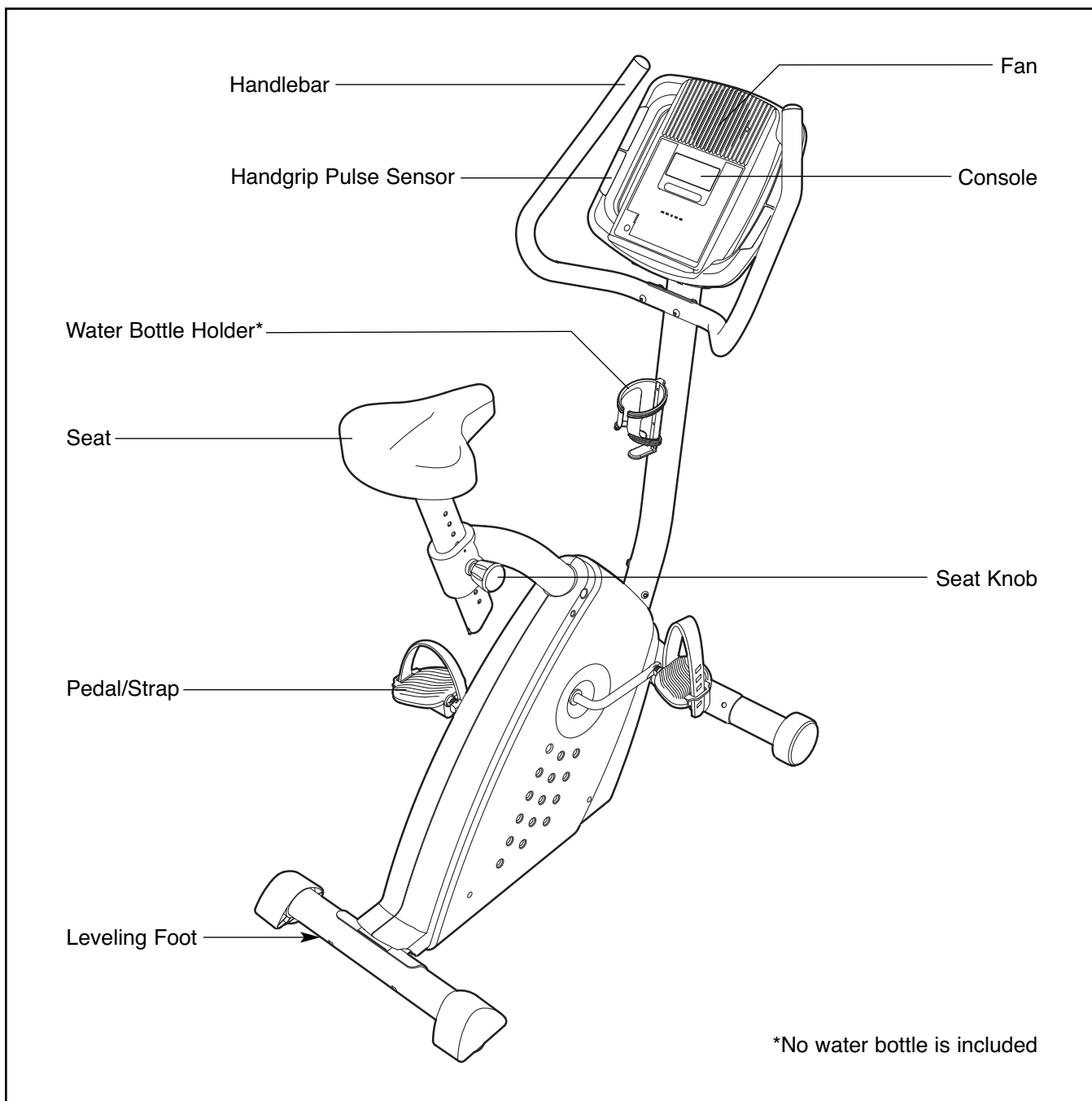
Congratulations for selecting the new PROFORM® 280 CSX exercise cycle. Cycling is one of the most effective exercises for increasing cardiovascular fitness, building endurance, and toning the body. The 280 CSX exercise cycle offers a selection of features designed to let you enjoy this healthful exercise in the convenience and privacy of your home.

For your benefit, read this manual carefully before you use the exercise cycle. If you have questions after reading this manual, please see the front cover of this manual. To help us assist you, note the product

model number and serial number before contacting us. The model number and the location of the serial number decal are shown on the front cover of this manual.


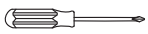
To avoid a registration fee for any service needed under warranty, you must register the exercise cycle at www.proformservice.com/registration.

Before reading further, please familiarize yourself with the parts that are labeled in the drawing below.

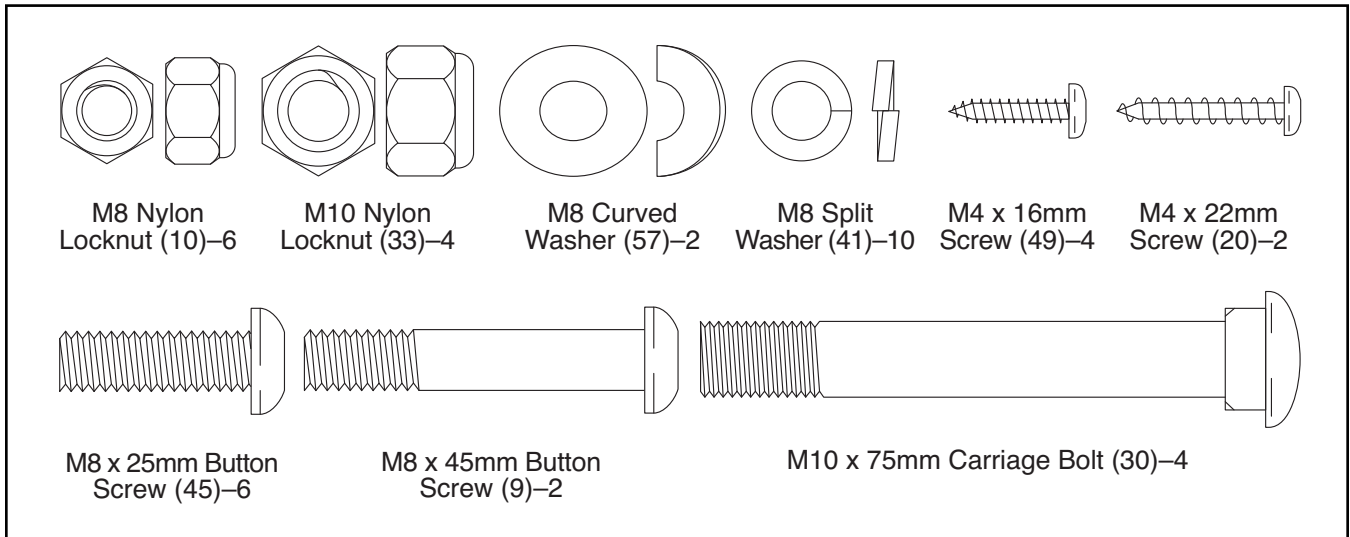


ASSEMBLY

To hire an authorized service technician to assemble the exercise cycle, call 1-800-445-2480.

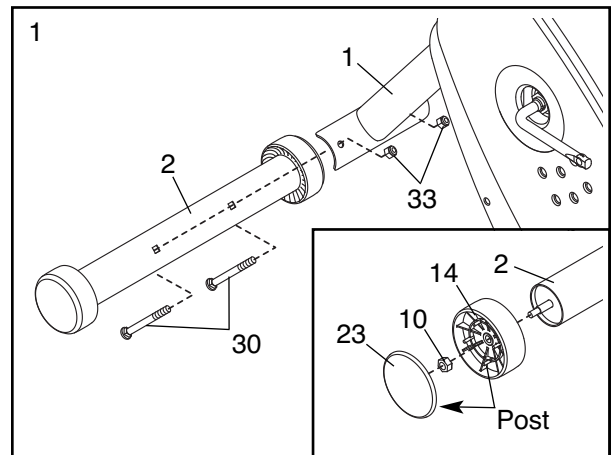
Assembly requires two persons. Place all parts of the exercise cycle in a cleared area and remove the packing materials. Do not dispose of the packing materials until assembly is completed. **Assembly requires the included tools and your own adjustable wrench**  **and Phillips screwdriver**  .

Use the drawings below to identify the small parts needed for assembly. The number in parentheses below each drawing is the key number of the part, from the PART LIST near the end of this manual. The number following the key number is the quantity needed for assembly. **Note: Some small parts may have been preassembled. If a part is not in the hardware kit, check to see if it has been preassembled.**

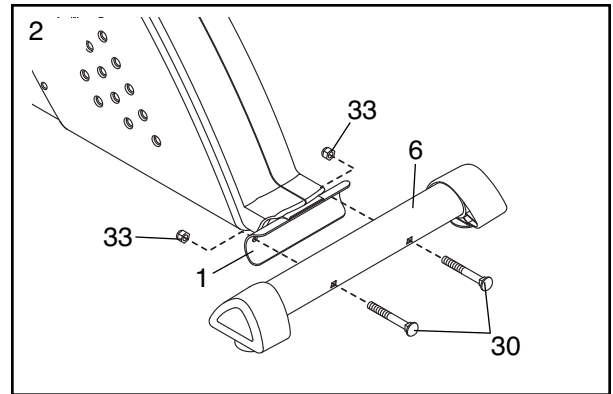


1. Identify the Front Stabilizer (2). See the inset drawing. Attach a Wheel (14) to one end of the Front Stabilizer with an M8 Nylon Locknut (10). **Make sure that the Wheel is oriented as shown and that it turns freely.** Next, align the four plastic posts on a Wheel Cover (23) with the plastic posts on the Wheel, and press the Wheel Cover onto the Wheel. **Assemble the other Wheel (not shown) in the same way.**

While another person lifts the front of the Frame (1), attach the Front Stabilizer (2) to the Frame with two M10 x 75mm Carriage Bolts (30) and two M10 Nylon Locknuts (33) as shown.



2. While another person lifts the rear of the Frame (1), attach the Rear Stabilizer (6) with two M10 x 75mm Carriage Bolts (30) and two M10 Nylon Locknuts (33).

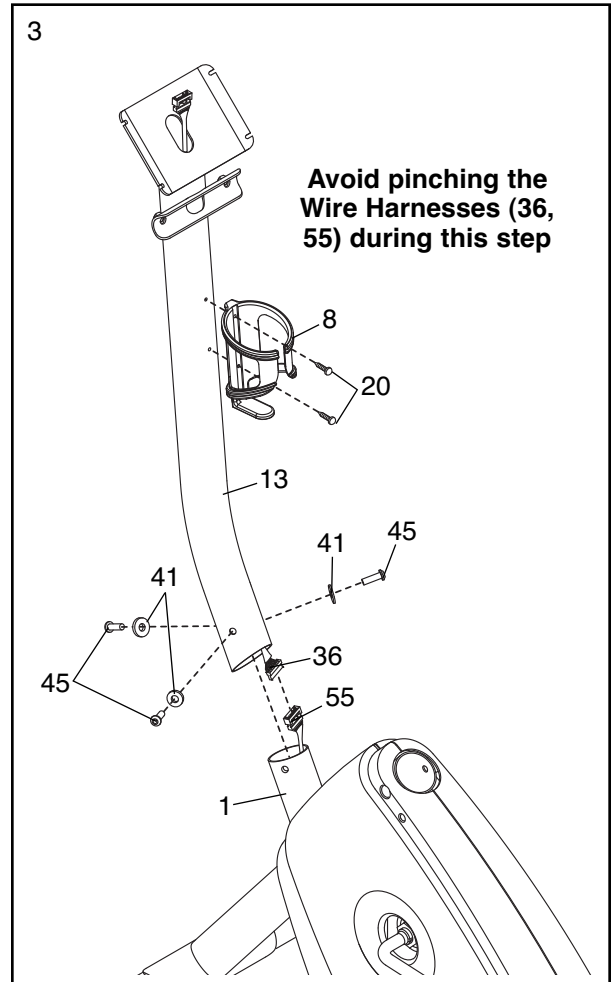


3. **Tip: Avoid pinching the Wire Harnesses (36, 55) during this step.**

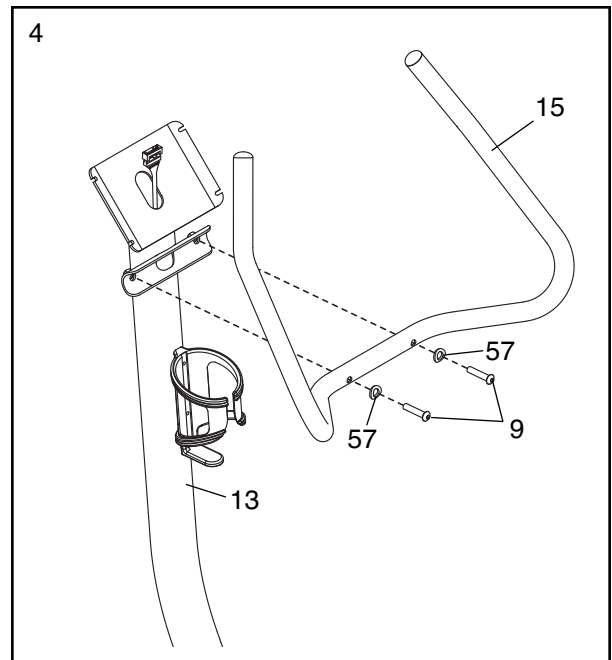
While another person holds the Upright (13) in the position shown, connect the Upper Wire Harness (36) to the Lower Wire Harness (55).

Carefully pull the excess Upper Wire Harness (36) out of the top of the Upright (13), and slide the Upright onto the Frame (1). Next, attach the Upright with three M8 x 25mm Button Screws (45) and three M8 Split Washers (41).

Attach the Water Bottle Holder (8) to the Upright (13) with two M4 x 22mm Screws (20).

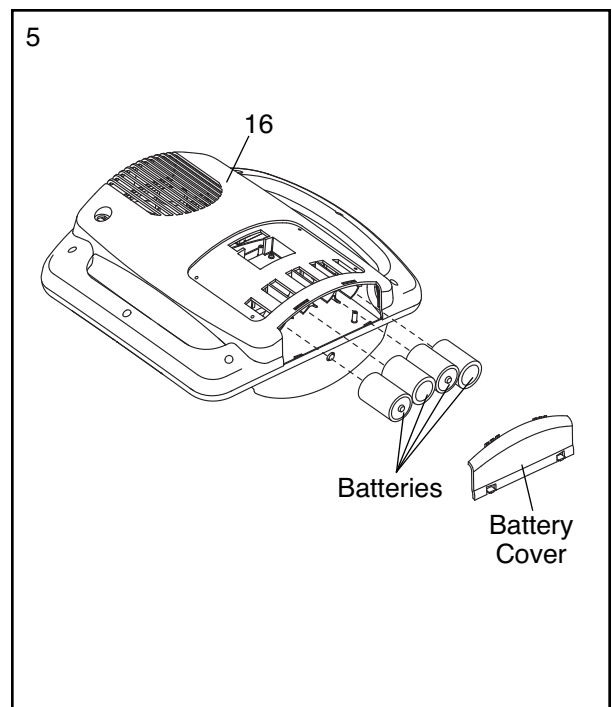


4. Attach the Handlebar (15) to the Upright (13) with two M8 x 45mm Button Screws (9) and two M8 Curved Washers (57).



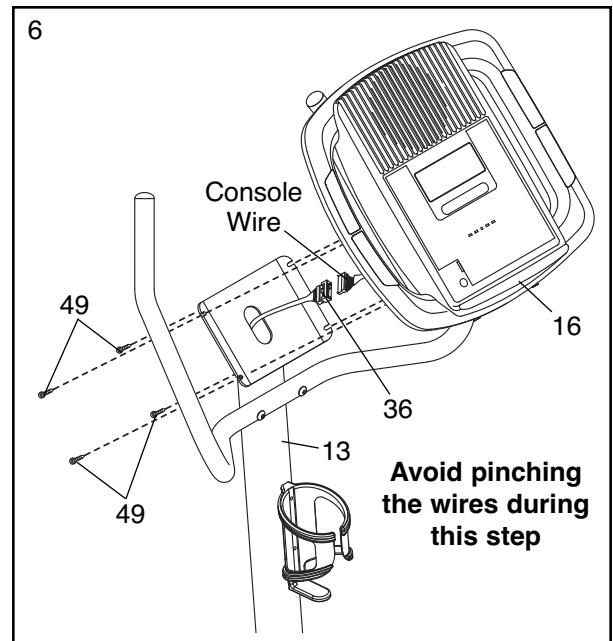
5. The Console (16) can use four 1.5V D batteries (not included); alkaline batteries are recommended. **IMPORTANT: If the Console has been exposed to cold temperatures, allow it to warm to room temperature before inserting batteries. Otherwise, you may damage the console displays or other electronic components.** Remove the battery cover, insert the batteries into the battery compartment, and reattach the battery cover. **Make sure to orient the batteries as shown by the diagram inside the battery compartment.**

To purchase an optional AC adapter, contact the store where you purchased this product or call the telephone number on the cover of this manual. To avoid damaging the console, use only a manufacturer-supplied AC adapter. Plug one end of the AC adapter into the jack on the console; plug the other end into an outlet installed in accordance with all local codes and ordinances.

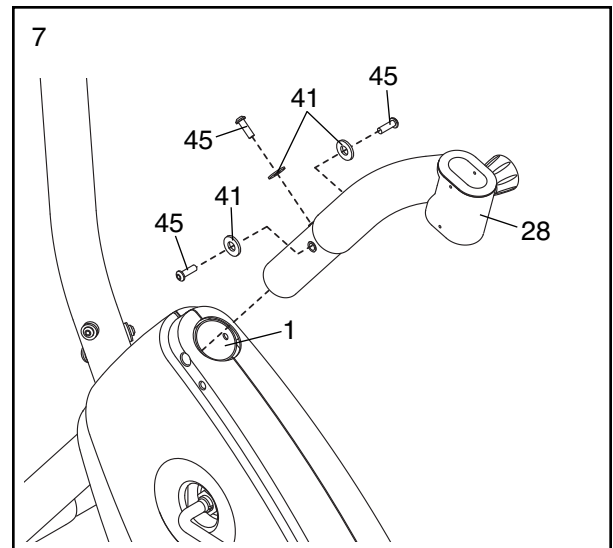


6. Hold the Console (16) near the Upright (13). Connect the console wire to the Upper Wire Harness (36).

Insert the excess console wire and Upper Wire Harness (36) downward into the Upright (13). Next, attach the Console (16) to the Upright with four M4 x 16mm Screws (49). **Be careful to avoid pinching the wires.**

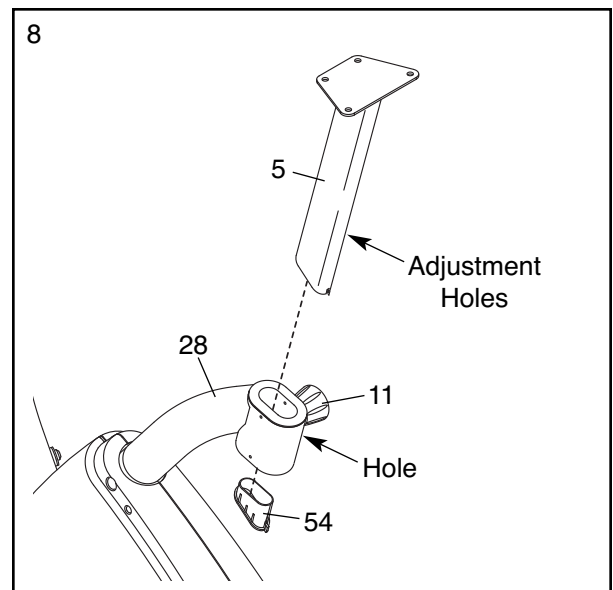


7. Attach the Seat Frame (28) to the Frame (1) with three M8 x 25mm Button Screws (45) and three M8 Split Washers (41).

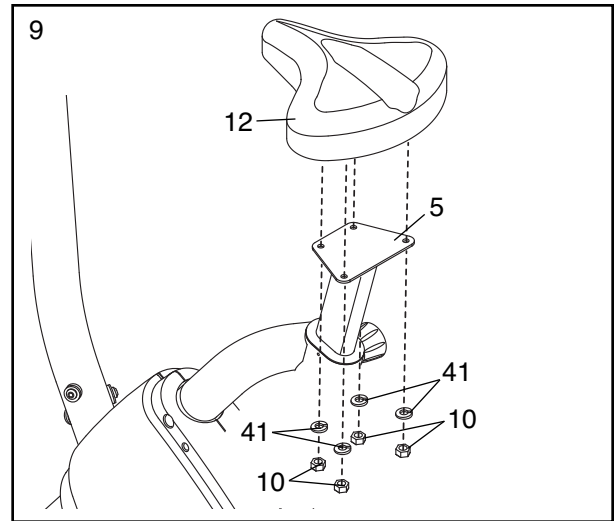


8. Turn the Seat Knob (11) counterclockwise and pull it outward. Next, insert the Seat Post (5) into the Seat Frame (28). Press the Seat Post Cap (54) into the lower end of the Seat Post.

Next, align one of the adjustment holes in the Seat Post (5) with the indicated hole in the Seat Frame (28). Then, release the Seat Knob (11) into the Seat Frame and the Seat Post, and turn the Seat Knob clockwise a few turns. **Make sure that the Seat Knob is inserted through one of the adjustment holes in the Seat Post.**

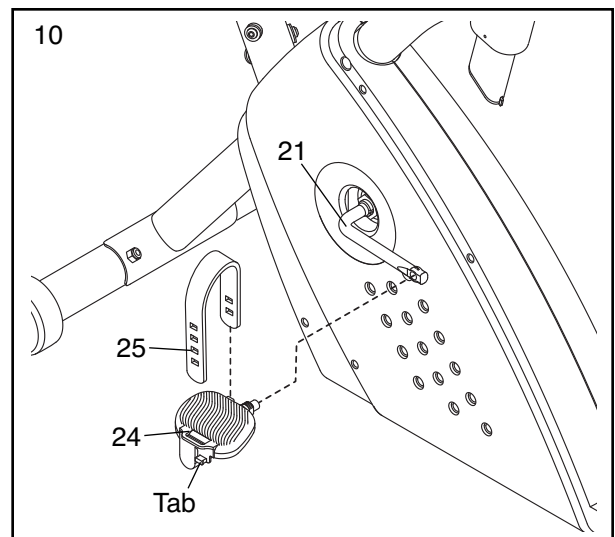


9. Attach the Seat (12) to the Seat Post (5) with four M8 Nylon Locknuts (10) and four M8 Split Washers (41). Note: The Nylon Locknuts and the Split Washers may be preattached to the underside of the Seat.



10. Identify the Left Pedal (24), which is marked with an "L." Using an adjustable wrench, **firmly tighten** the Left Pedal *counterclockwise* into the left arm of the Crank (21). Tighten the Right Pedal (not shown) *clockwise* into the right arm of the Crank. **IMPORTANT: Tighten both Pedals as firmly as possible. After using the exercise cycle for one week, retighten the Pedals. For best performance, keep the Pedals tightened.**

Adjust the Left Pedal Strap (25) to the desired position, and press the end of the Pedal Strap onto the tab on the Left Pedal (24). Adjust the Right Pedal Strap (not shown) in the same way.

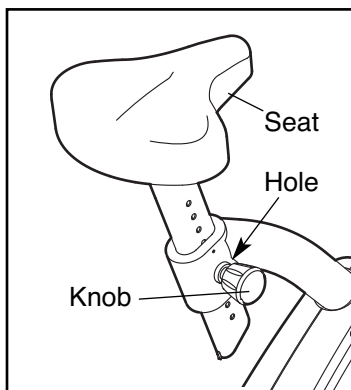


11. **Make sure that all parts are properly tightened before you use the exercise cycle.** Note: After assembly is completed, some extra parts may be left over. Place a mat beneath the exercise cycle to protect the floor.

HOW TO OPERATE THE EXERCISE CYCLE

HOW TO ADJUST THE SEAT POST

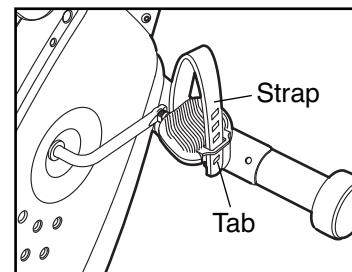
For effective exercise, the seat should be at the proper height. As you pedal, there should be a slight bend in your knees when the pedals are in the lowest position. To adjust the height of the seat, first turn the seat knob counterclockwise and pull it outward. Next,



slide the seat post upward or downward, and align one of the adjustment holes in the seat post with the indicated hole in the seat frame. Then, release the seat knob into the seat frame and the seat post, and turn the knob clockwise until it is tight. **Make sure that the seat knob is inserted through one of the adjustment holes in the seat post.**

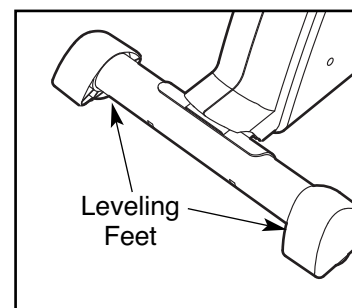
HOW TO ADJUST THE PEDAL STRAPS

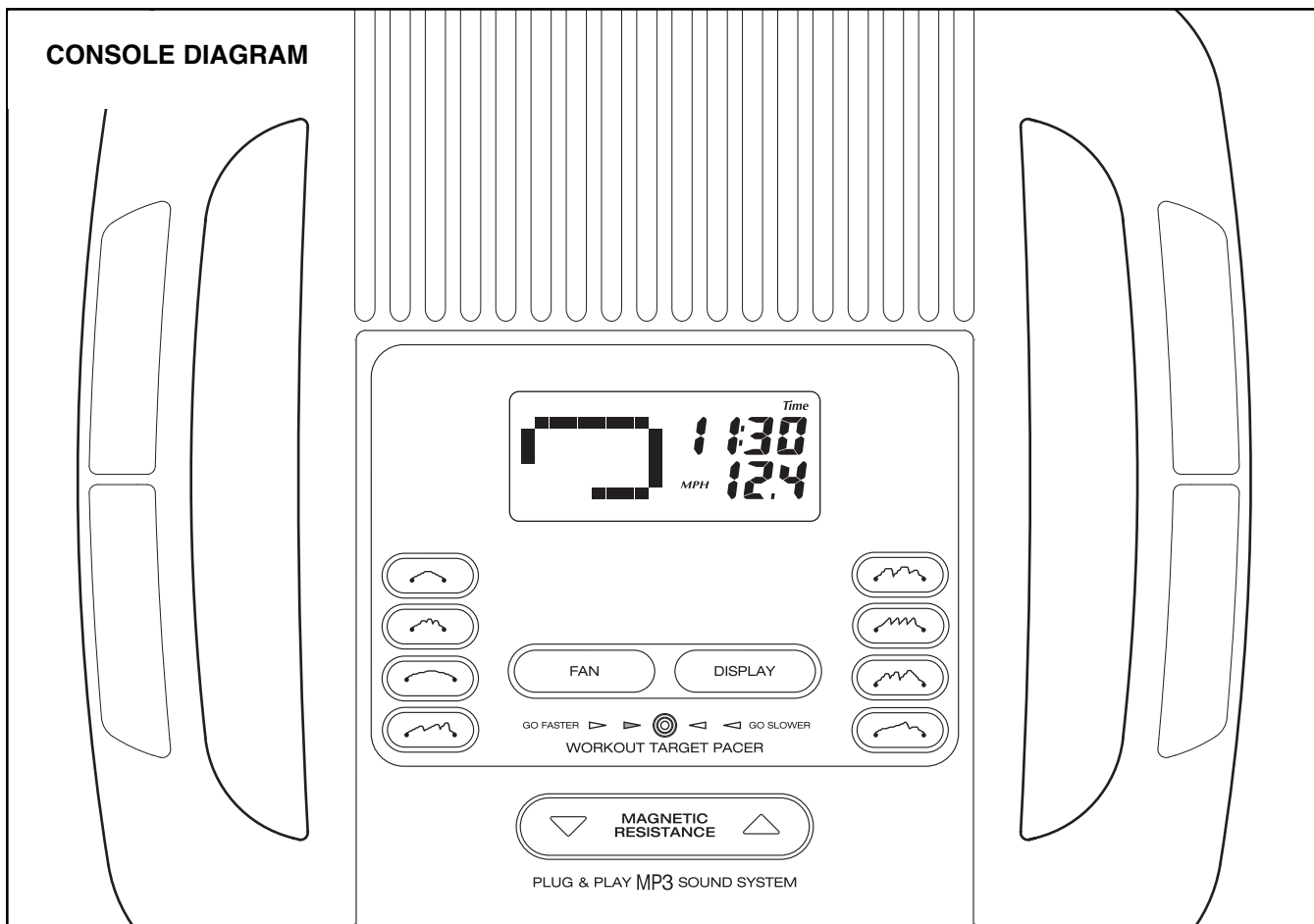
To adjust the pedal straps, first pull the ends of the straps off the tabs on the pedals. Adjust the straps to the desired position, and then press the ends of the straps back onto the tabs.



HOW TO LEVEL THE EXERCISE CYCLE

If the exercise cycle rocks on your floor during use, turn one or both of the leveling feet beneath the rear stabilizer until the rocking motion is eliminated.





FEATURES OF THE CONSOLE

The advanced console offers an array of features designed to make your workouts more effective and enjoyable. When you use the manual mode of the console, you can change the resistance of the pedals with the touch of a button. As you exercise, the console will provide continuous exercise feedback. You can even measure your heart rate using the handgrip pulse sensor.

The console also offers eight preset workouts. Each workout automatically changes the resistance of the pedals and prompts you to increase or decrease your pedaling speed as it guides you through an effective workout.

You can even connect your MP3 player or CD player to the console's sound system and listen to your favorite music or audio books while you exercise.

To use the manual mode, see page 12. **To use a preset workout**, see page 14. **To use the sound system**, see page 14.

Note: If there is a sheet of clear plastic on the face of the console, remove the plastic.

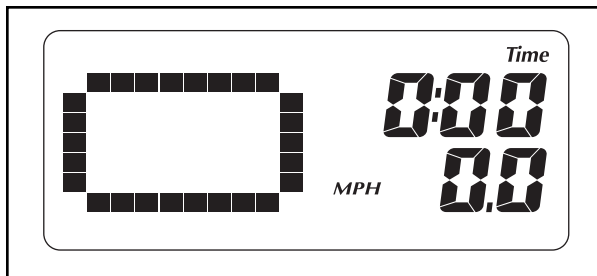
HOW TO USE THE MANUAL MODE

1. **Press any button on the console or begin pedaling to turn on the console.**

When you turn on the console, the displays and the workout target pacer will light. A tone will then sound and the console will be ready for use.

2. **Select the manual mode.**

When you turn on the console, the manual mode will be selected. If you have selected a workout, reselect the manual mode by pressing one of the eight workout buttons on the console repeatedly until a track appears in the left display.



3. **Begin pedaling and change the resistance of the pedals as desired.**

As you pedal, change the resistance of the pedals by pressing the Magnetic Resistance increase and decrease buttons.

There are ten resistance levels. Note: After you press the buttons, it may take a moment for the pedals to reach the selected resistance level.

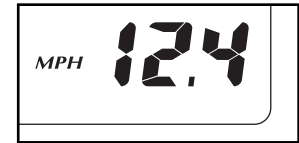


4. **Follow your progress with the displays.**

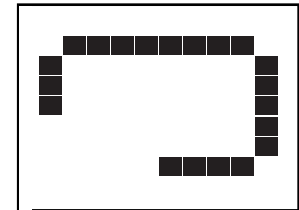
The upper right display can show the elapsed time, the approximate number of calories you have burned, and the distance you have pedaled. The display will change modes every few seconds.



The lower right display can show your pedaling speed and the resistance level of the pedals. The display will change modes every few seconds. The display will also show your heart rate when you use the handgrip pulse sensor (see step 5 on page 13).

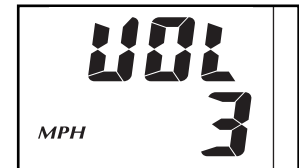


The left display will show a track representing 1/4 mile. As you exercise, indicators will appear in succession around the track until the entire track appears. The track will then disappear and the indicators will again begin to appear in succession.



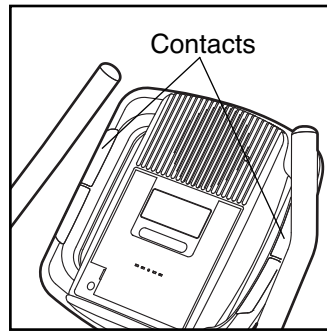
To change the display mode, press the Display button repeatedly until the desired exercise information appears in the upper or lower right display. After several seconds, the displays will change modes automatically as before.

Note: The console can display speed and distance in either miles or kilometers. The letters MPH or Km/H will appear while your pedaling speed is displayed to show which unit of measurement is selected. To change the unit of measurement, first press the Display button for a few seconds until the display is blank; then, release the Display button. Press the Fan button repeatedly to change the unit of measurement. You can also adjust the volume of the console tones at this time. Press the Magnetic Resistance increase and decrease buttons to select a volume level between 1 and 5. When you have selected the desired unit of measurement and volume level, press the Display button again.



5. Measure your heart rate if desired.

If there are sheets of clear plastic on the metal contacts on the handgrip pulse sensor, remove the plastic. In addition, make sure that your hands are clean. To measure your heart rate, hold the handgrip pulse sensor with your palms resting against the metal contacts. **Avoid moving your hands or gripping the contacts tightly.**



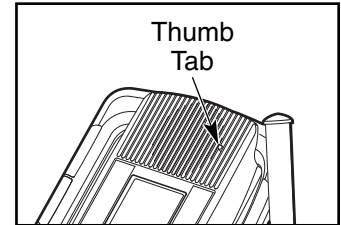
When your pulse is detected, a heart-shaped symbol will flash in the lower right display each time your heart beats, one or two dashes will appear, and then your heart rate will be shown. For the most accurate heart rate reading, hold the contacts for at least 15 seconds.

If your heart rate is not shown, make sure that your hands are positioned as described. Be careful not to move your hands excessively or to squeeze the metal contacts tightly. For optimal performance, clean the metal contacts using a soft cloth; **never use alcohol, abrasives, or chemicals to clean the contacts.**

6. Turn on the fan if desired.

The fan has high, low, and auto speed settings; while the auto mode is selected, the speed of the fan will automatically increase or decrease as you increase or decrease your pedaling speed. Press the Fan button repeatedly to select a fan speed or to turn off the fan. Note: If the pedals do not move for about thirty seconds, the fan will turn off automatically.

Pivot the thumb tab on the right side of the fan to adjust the fan angle.



To turn off the fan, press the Fan button again. Note: If the pedals do not move for about thirty seconds, the fan will automatically turn off to conserve the batteries.

7. When you are finished exercising, the console will turn off automatically.

If the pedals do not move for several seconds, a series of tones will sound and the console will pause.

If the pedals do not move for about five minutes, the console will turn off and the displays will be reset.

HOW TO USE A PRESET WORKOUT

1. **Press any button on the console or begin pedaling to turn on the console.**

See step 1 on page 12.

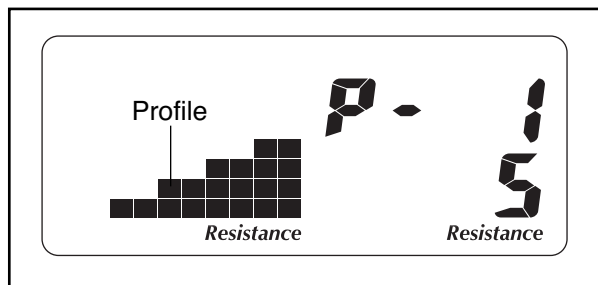
2. **Select a preset workout.**

To select one of the eight preset workouts, press one of the eight buttons on the right or left side of the console.

When you select a preset workout, the name of the workout and the maximum resistance level will appear in the display for a few seconds. A profile of the resistance levels of the workout will also scroll across the left side of the display.

3. **Begin pedaling to start the workout.**

Each workout is divided into either 20 or 30 one-minute segments. One resistance level and one target pace setting are programmed for each segment. Note: The same resistance level and/or target pace setting may be programmed for consecutive segments.



During the workout, the workout profile will show your progress (see the drawing above). The flashing segment of the profile represents the current segment of the workout. The height of the flashing segment indicates the resistance level for the current segment. At the end of each segment of the workout, a series of tones will sound and the next segment of the profile will begin to flash. If a different resistance level is programmed for the next segment, the resistance level will appear in the display for a few seconds to alert you. The resistance of the pedals will then change.

During the workout, the workout target pacer will prompt you to keep your pedaling speed near the target pace setting for the current segment. When a left indicator lights, increase your speed; when a right indicator lights, decrease your speed. When

the center indicator lights, maintain your current speed. **IMPORTANT: The workout target pacer is intended only to provide a goal. Make sure to pedal at a speed that is comfortable for you.**



If the resistance level for the current segment is too high or too low, you can manually override the resistance level by pressing the Magnetic Resistance increase or decrease button. However, when the current segment ends, the resistance of the pedals will automatically adjust to the resistance level programmed for the next segment.

If you stop pedaling for several seconds, a series of tones will sound and the workout will pause. To restart the workout, simply resume pedaling. The workout will continue until the last segment of the workout ends.

4. **Follow your progress with the displays.**

See step 4 on page 12.

5. **Measure your heart rate if desired.**

See step 5 on page 13.

6. **Turn on the fan if desired.**

See step 6 on page 13.

7. **When you are finished exercising, the console will turn off automatically.**

See step 7 on page 13.

HOW TO USE THE SOUND SYSTEM

To play music or audio books through the console's sound system while you exercise, plug an audio cable (not included) into the jack on the console and into a jack on your MP3 player or CD player; **make sure that the audio cable is fully plugged in.**

Next, press the play button on your MP3 player or CD player. Adjust the volume level using the volume control on your MP3 player or CD player.

MAINTENANCE AND TROUBLESHOOTING

Inspect and tighten all parts of the exercise cycle regularly. Replace any worn parts immediately.

To clean the exercise cycle, use a damp cloth and a small amount of mild detergent. **IMPORTANT: To avoid damage to the console, keep liquids away from the console and keep the console out of direct sunlight.**

BATTERY REPLACEMENT

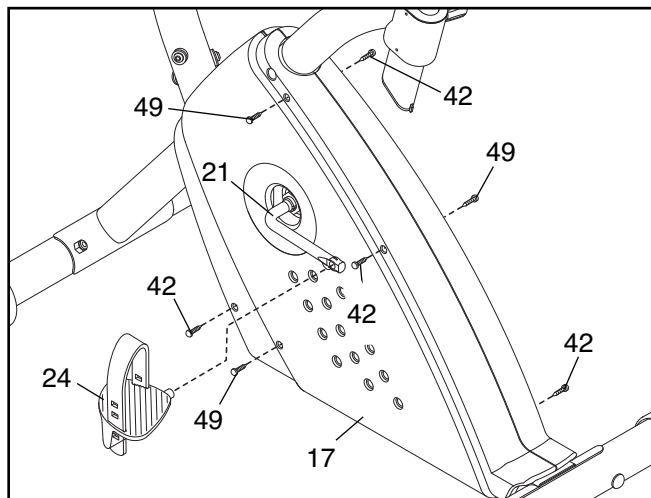
If the console display becomes dim, the batteries should be replaced; most console problems are the result of low batteries. To replace the batteries, see assembly step 5 on page 7.

Note: If you use the sound system regularly, it is recommended that you purchase an optional manufacturer-supplied AC adapter (see assembly step 5 on page 7).

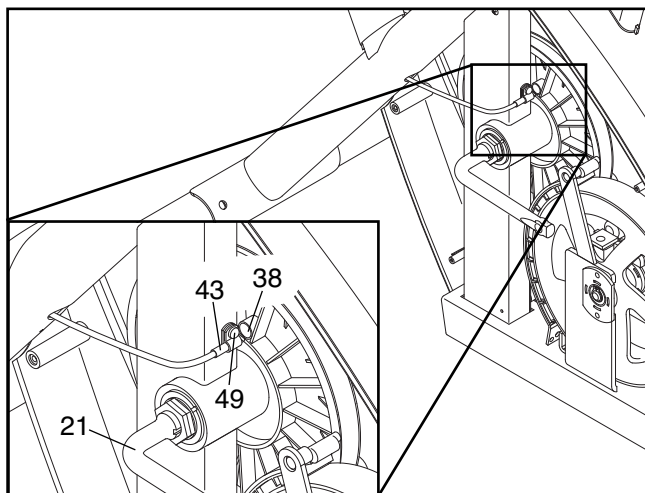
HOW TO ADJUST THE REED SWITCH

If the console does not display correct feedback, the reed switch should be adjusted. To adjust the reed switch, the left shield must be removed.

Turn the Crank (21) to the position shown. Using an adjustable wrench, turn the Left Pedal (24) clockwise and remove it. Next, remove the indicated M4 x 25mm Screws (42) and the indicated M4 x 16mm Screws (49). Then, carefully remove the Left Shield (17).



Next, locate the Reed Switch (43). Turn the Crank (21) until the Magnet (38) is aligned with the Reed Switch. Loosen, but do not remove, the indicated M4 x 16mm Screw (49). Slide the Reed Switch slightly closer to or away from the Magnet, and then retighten the Screw. Turn the Crank for a moment. Repeat until the console displays correct feedback. When the Reed Switch is correctly adjusted, reattach the left shield and the left pedal.



HOW TO LEVEL THE EXERCISE CYCLE

If the exercise cycle rocks on your floor during use, see HOW TO LEVEL THE EXERCISE CYCLE on page 10.

EXERCISE GUIDELINES

⚠ WARNING: Before beginning this or any exercise program, consult your physician. This is especially important for persons over the age of 35 or persons with pre-existing health problems.

The pulse sensor is not a medical device. Various factors may affect the accuracy of heart rate readings. The pulse sensor is intended only as an exercise aid in determining heart rate trends in general.

These guidelines will help you to plan your exercise program. For detailed exercise information, obtain a reputable book or consult your physician. Remember, proper nutrition and adequate rest are essential for successful results.

EXERCISE INTENSITY

Whether your goal is to burn fat or to strengthen your cardiovascular system, exercising at the proper intensity is the key to achieving results. You can use your heart rate as a guide to find the proper intensity level. The chart below shows recommended heart rates for fat burning and aerobic exercise.

165	155	145	140	130	125	115	♥
145	138	130	125	118	110	103	♥
125	120	115	110	105	95	90	♥
<hr/>							
20	30	40	50	60	70	80	

To find the proper intensity level, find your age at the bottom of the chart (ages are rounded off to the nearest ten years). The three numbers listed above your age define your “training zone.” The lowest number is the heart rate for fat burning, the middle number is the heart rate for maximum fat burning, and the highest number is the heart rate for aerobic exercise.

Burning Fat—To burn fat effectively, you must exercise at a low intensity level for a sustained period of time. During the first few minutes of exercise, your body uses *carbohydrate calories* for energy. Only after the first few minutes of exercise does your body begin to use stored *fat calories* for energy. If your goal is to burn fat, adjust the intensity of your exercise until your heart rate is near the lowest number in your training zone. For maximum fat burning, exercise with your heart rate near the middle number in your training zone.

Aerobic Exercise—If your goal is to strengthen your cardiovascular system, you must perform aerobic exercise, which is activity that requires large amounts of oxygen for prolonged periods of time. For aerobic exercise, adjust the intensity of your exercise until your heart rate is near the highest number in your training zone.

WORKOUT GUIDELINES

Warming Up—Start with 5 to 10 minutes of stretching and light exercise. A warm-up increases your body temperature, heart rate, and circulation in preparation for exercise.

Training Zone Exercise—Exercise for 20 to 30 minutes with your heart rate in your training zone. (During the first few weeks of your exercise program, do not keep your heart rate in your training zone for longer than 20 minutes.) Breathe regularly and deeply as you exercise—never hold your breath.

Cooling Down—Finish with 5 to 10 minutes of stretching. Stretching increases the flexibility of your muscles and helps to prevent post-exercise problems.

EXERCISE FREQUENCY

To maintain or improve your condition, complete three workouts each week, with at least one day of rest between workouts. After a few months of regular exercise, you may complete up to five workouts each week, if desired. Remember, the key to success is to make exercise a regular and enjoyable part of your everyday life.

SUGGESTED STRETCHES

The correct form for several basic stretches is shown at the right. Move slowly as you stretch—never bounce.

1. Toe Touch Stretch

Stand with your knees bent slightly and slowly bend forward from your hips. Allow your back and shoulders to relax as you reach down toward your toes as far as possible. Hold for 15 counts, then relax. Repeat 3 times. Stretches: Hamstrings, back of knees and back.

2. Hamstring Stretch

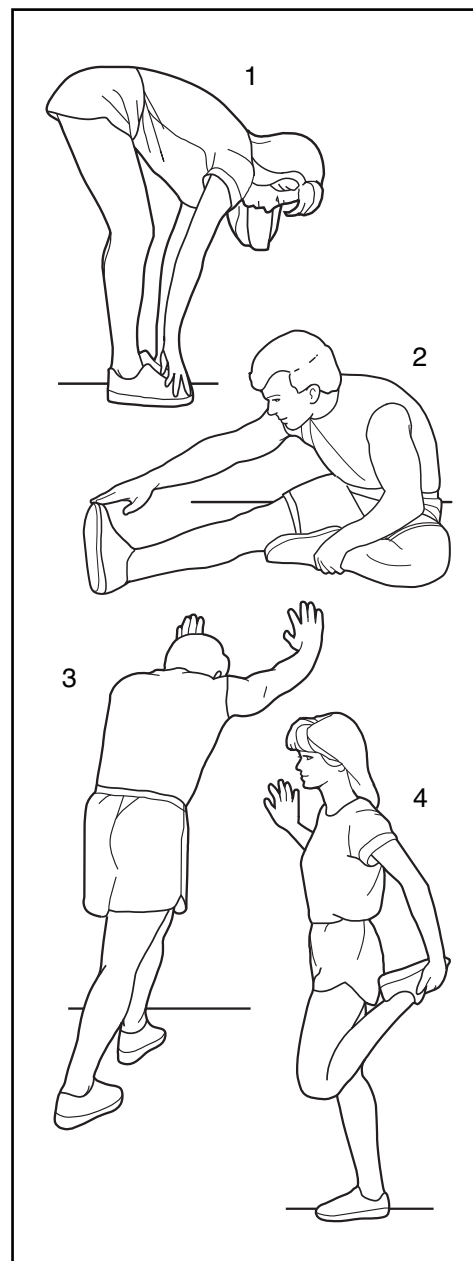
Sit with one leg extended. Bring the sole of the opposite foot toward you and rest it against the inner thigh of your extended leg. Reach toward your toes as far as possible. Hold for 15 counts, then relax. Repeat 3 times for each leg. Stretches: Hamstrings, lower back and groin.

3. Calf/Achilles Stretch

With one leg in front of the other, reach forward and place your hands against a wall. Keep your back leg straight and your back foot flat on the floor. Bend your front leg, lean forward and move your hips toward the wall. Hold for 15 counts, then relax. Repeat 3 times for each leg. To cause further stretching of the achilles tendons, bend your back leg as well. Stretches: Calves, achilles tendons and ankles.

4. Quadriceps Stretch

With one hand against a wall for balance, reach back and grasp one foot with your other hand. Bring your heel as close to your buttocks as possible. Hold for 15 counts, then relax. Repeat 3 times for each leg. Stretches: Quadriceps and hip muscles.



PART LIST—Model No. PFEX71608.1

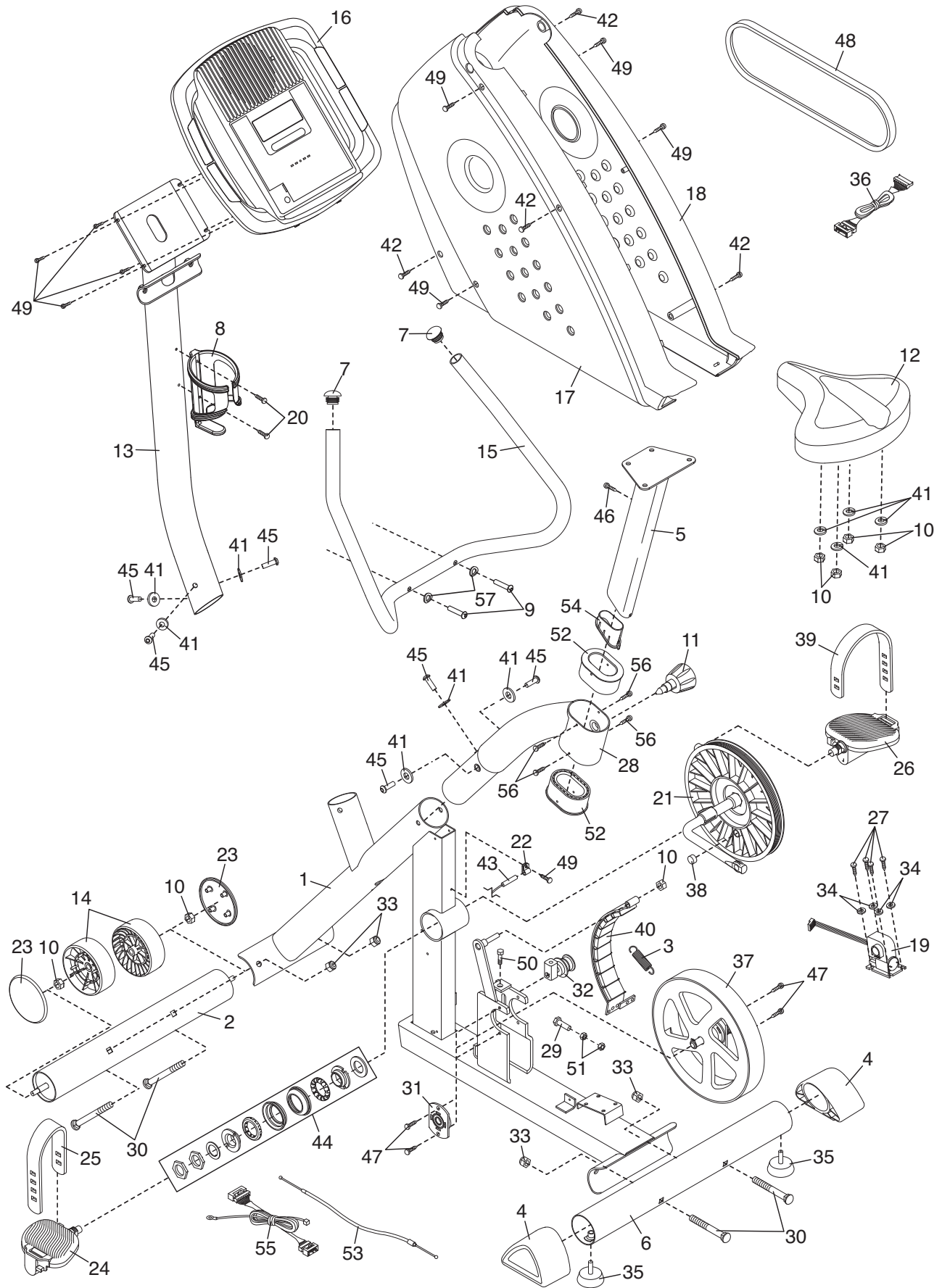
R0908A

Key No.	Qty.	Description	Key No.	Qty.	Description
1	1	Frame	31	1	Pillow Block
2	1	Front Stabilizer	32	1	Idler Block
3	1	Spring	33	4	M10 Nylon Locknut
4	2	Stabilizer Cap	34	4	M5 Washer
5	1	Seat Post	35	2	Leveling Foot
6	1	Rear Stabilizer	36	1	Upper Wire Harness
7	2	Handlebar Cap	37	1	Flywheel
8	1	Water Bottle Holder	38	1	Magnet
9	2	M8 x 45mm Button Screw	39	1	Right Pedal Strap
10	7	M8 Nylon Locknut	40	1	"C"-magnet
11	1	Seat Knob	41	10	M8 Split Washer
12	1	Seat	42	4	M4 x 25mm Screw
13	1	Upright	43	1	Reed Switch/Wire
14	2	Wheel	44	1	Crank Bearing Set
15	1	Handlebar	45	6	M8 x 25mm Button Screw
16	1	Console	46	1	M4 x 16mm Round Head Screw
17	1	Left Shield	47	4	Pillow Block Screw
18	1	Right Shield	48	1	Drive Belt
19	1	Resistance Motor	49	9	M4 x 16mm Screw
20	2	M4 x 22mm Screw	50	1	Idler Block Screw
21	1	Crank/Pulley	51	2	M6 Nut
22	1	Reed Switch Clamp	52	2	Frame Bushing
23	2	Wheel Cover	53	1	Resistance Cable
24	1	Left Pedal	54	1	Seat Post Cap
25	1	Left Pedal Strap	55	1	Lower Wire Harness
26	1	Right Pedal	56	4	M4 x 12mm Screw
27	4	Motor Screw	57	2	M8 Curved Washer
28	1	Seat Frame	*	—	User's Manual
29	1	Stop Bolt	*	—	Assembly Tool
30	4	M10 x 75mm Carriage Bolt			

Note: Specifications are subject to change without notice. See the back cover of this manual for information about ordering replacement parts. *These parts are not illustrated.

EXPLODED DRAWING—Model No. PFEX71608.1

R0908A



ORDERING REPLACEMENT PARTS

To order replacement parts, please see the front cover of this manual. To help us assist you, be prepared to provide the following information when contacting us:

- the model number and serial number of the product (see the front cover of this manual)
- the name of the product (see the front cover of this manual)
- the key number and description of the replacement part(s) (see the PART LIST and the EXPLODED DRAWING near the end of this manual)

LIMITED WARRANTY

ICON Health & Fitness, Inc. (ICON) warrants this product to be free from defects in workmanship and material, under normal use and service conditions. Parts and labor are warranted for ninety (90) days from the date of purchase.

This warranty extends only to the original purchaser. ICON's obligation under this warranty is limited to repairing or replacing, at ICON's option, the product through one of its authorized service centers. All repairs for which warranty claims are made must be preauthorized by ICON. If the product is shipped to a service center, freight charges to and from the service center will be the customer's responsibility. For replacement parts shipped while the product is under warranty, the customer will be responsible for a minimal handling charge. For in-home service, the customer will be responsible for a minimal trip charge. This warranty does not extend to any damage to a product caused by or attributable to freight damage, abuse, misuse, improper or abnormal usage, or repairs not provided by an ICON authorized service center; products used for commercial or rental purposes; or products used as store display models. No other warranty beyond that specifically set forth above is authorized by ICON.

ICON is not responsible or liable for indirect, special, or consequential damages arising out of or in connection with the use or performance of the product; damages with respect to any economic loss, loss of property, loss of revenues or profits, loss of enjoyment or use, or costs of removal or installation; or other consequential damages of whatsoever nature. Some states do not allow the exclusion or limitation of incidental or consequential damages. Accordingly, the above limitation may not apply to you.

The warranty extended hereunder is in lieu of any and all other warranties, and any implied warranties of merchantability or fitness for a particular purpose are limited in their scope and duration to the terms set forth herein. Some states do not allow limitations on how long an implied warranty lasts. Accordingly, the above limitation may not apply to you.

This warranty gives you specific legal rights. You may also have other rights that vary from state to state.

ICON Health & Fitness, Inc., 1500 S. 1000 W., Logan, UT 84321-9813