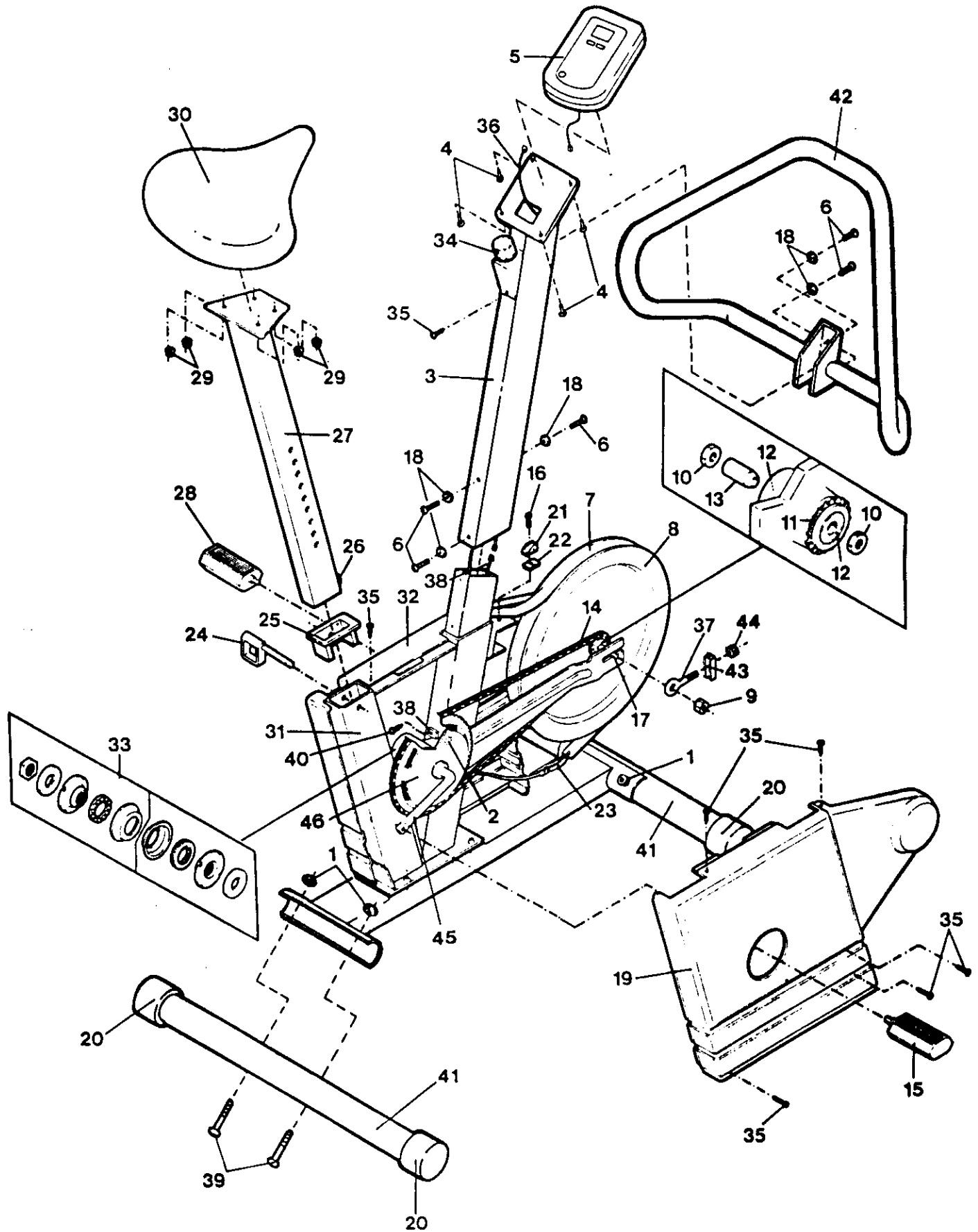


EXPLODED DRAWING—Model No. PFEX72040

R794A



MODEL NUMBER: PFEX7204
 VERSION: 00
 PRODUCT NAME: PROFORM 7.2
 PRODUCT DESC: EXERCISE BIKE

MODEL/PART BOOK LISTING

PAGE 1
 INI023P1

RUN DATE: 5/08/95
 RUN TIME: 17:49:21

KEY NUMBER	PART NUMBER	DESCRIPTION	QUANTITY
.	.	**SEND EUROPEAN UPDATE**	0
.	.	PROFORM 7.2 BIKE	0
1	012056	STABILIZER NUT	4
2	100498	MAGNET	1
3	120894	HANDLEBAR POST	1
4	102963	MONITOR SCREW	4
5	119328	ELECTRONIC MONITOR	1
6	013484	BOLT	5
7	113051	RESISTANCE STRAP	1
8	120896	FLYWHEEL	1
9	012032	3/8" AXLE NUT	2
10	012031	3/8" THIN AXLE NUT	2
11	024007	FREEWHEEL SPROCKET	1
12	102356	FLYWHEEL BEARING	2
13	019341	AXLE SPACER	1
14	025075	CHAIN	1
15	038022	RIGHT PEDAL	1
16	113528	TENSION BUCKLE SCREW	1
17	049111	AXLE	1
18	014073	LOCK WASHER	5
19	120900	RIGHT SIDESHIELD W/DECAL	1
.	.	123033 RIGHT SIDESHIELD	1
.	.	119938 RIGHT DECAL	1
20	120897	STABILIZER ENDCAP	4
21	050001	TENSION BUCKLE	1
22	114606	TENSION BUCKLE SPACER	1
23	102037	SPRING ASSEMBLY	1
24	020901	SEAT PIN	1
25	122601	SEAT POST BUSHING	1
26	100127	SEAT POST GUIDE	1
27	122602	SEAT POST	1
28	038023	LEFT PEDAL	1
29	012096	LOCK NUT	4
30	105022	SEAT	1
31	NSP	FRAME	1
32	120899	LEFT SIDESHIELD W/DECAL	1
.	.	123032 LEFT SIDESHIELD	1
.	.	119939 LEFT DECAL	1
33	110465	CRANK HARDWARE ASSEMBLY	1
34	113040	RESISTANCE KNOB W/CABLE	1
35	013141	SELF-TAP SCREW	11
36	033217	SENSOR WIRE	1
37	104928	EYEBOLT	2
38	033218	REED SWITCH/SENSOR WIRE	1
39	100291	CARRIAGE BOLT	4
40	013141	REED SWITCH SCREW	1
41	120902	STABILIZER	2
42	120903	HANDLEBAR	1
43	100128	CHAIN ADJUSTMENT BRACKET	2
44	012006	ADJUSTMENT NUT	2
45	023018	CRANK	1
46	100245	SPROCKET	1
#	.	NON-ILLUSTRATED PARTS	0
#	106167	BATTERY COVER	1

MODEL NUMBER: PFEX7204
VERSION: 00
PRODUCT NAME: PROFORM 7.2
PRODUCT DESC: EXERCISE BIKE

MODEL/PART BOOK LISTING

PAGE 2
INI023P1

RUN DATE: 5/08/95
RUN TIME: 17:49:21

KEY NUMBER	PART NUMBER	DESCRIPTION	QUANTITY
#	033021	BATTERY	2
#	119939	LEFT SIDESHIELD DECAL *	1
#	119938	RIGHT SIDESHIELD DECAL *	1
#	120447	OWNER'S MANUAL *	1