

# PART LIST—Model No. PFEX74207.0

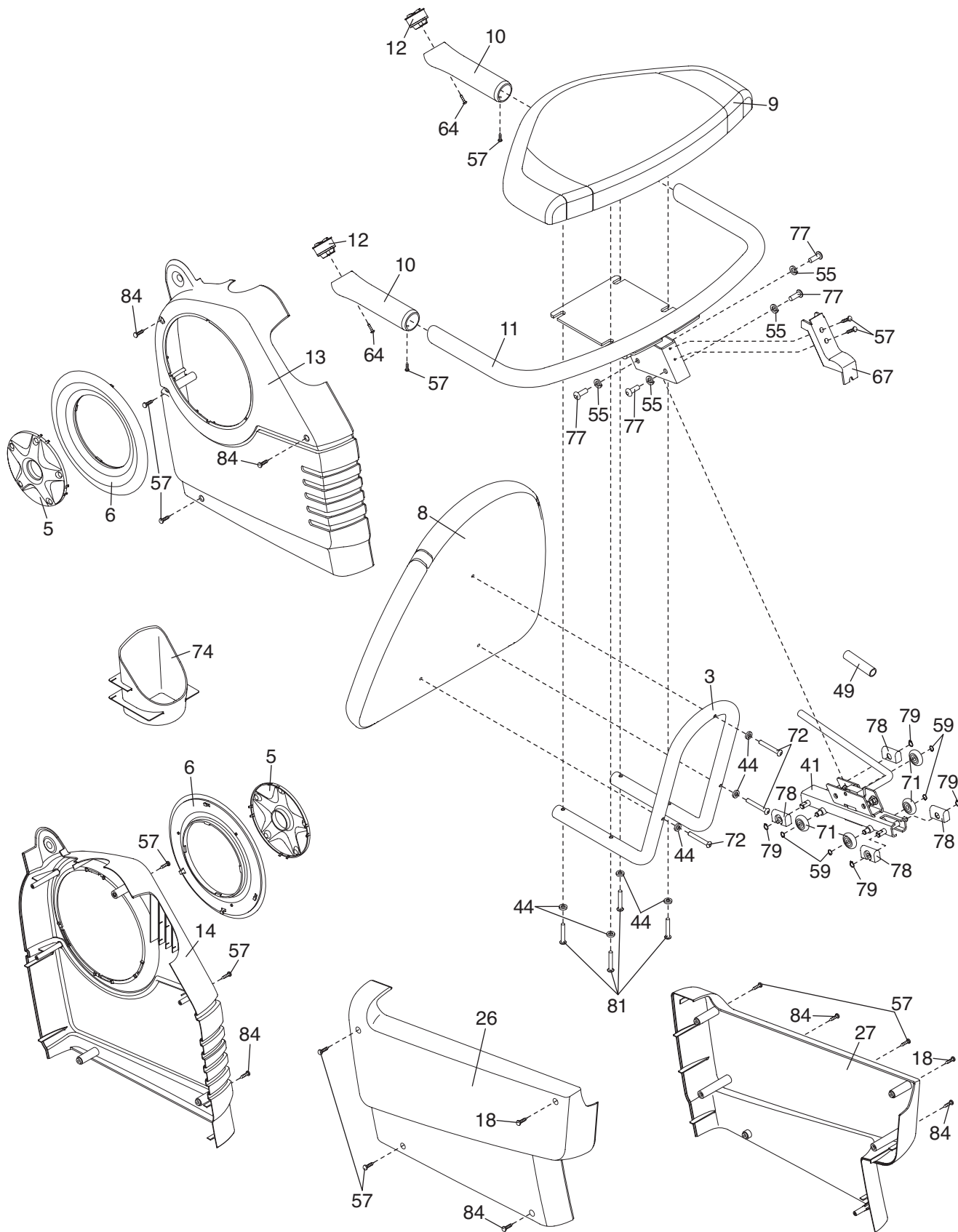
R0807A

Key No.	Qty.	Description	Key No.	Qty.	Description
1	1	Frame	47	1	Drive Belt
2	1	Upright	48	2	Rear Stabilizer Endcap
3	1	Backrest Bracket	49	1	Foam Grip
4	1	Console	50	2	Flange Screw
5	2	Crank Cover	51	1	Rear Wire Harness
6	2	Accent Ring	52	4	M8 x 50mm Button Screw
7	1	Upright Knob	53	11	M6 Nylon Locknut
8	1	Backrest	54	6	M8 x 16mm Button Screw
9	1	Seat	55	14	M8 Split Washer
10	2	Game Grip	56	1	Seat Rail Endcap
11	1	Seat Bracket	57	14	M4 x 16mm Screw
12	2	Controller	58	1	Lower Wire Harness
13	1	Left Front Side Shield	59	4	Small Snap Ring
14	1	Right Front Side Shield	60	1	Tension Wheel
15	1	Left Front Stabilizer	61	1	Left Controller Wire
16	1	Rear Stabilizer	62	1	M10 x 63mm Bolt Set
17	2	Wheel	63	4	Wheel Bushing
18	2	M4 x 12mm Screw	64	2	M4 x 10mm Screw
19	2	Leveling Foot	65	1	Stop Block
20	2	Upright Bushing	66	2	Front Stabilizer Endcap
21	1	Right Pedal/Strap	67	1	Seat Bracket Endcap
22	1	Left Pedal/Strap	68	1	Upright Cover
23	1	Right Crank Arm	69	2	Wheel Bolt
24	1	Left Crank Arm	70	1	M4 x 12mm Screw
25	4	M6 Split Washer	71	4	Seat Carriage Wheel
26	1	Left Side Shield	72	3	M6 x 38mm Button Screw
27	1	Right Side Shield	73	4	M6 x 20mm Button Bolt
28	1	Large Snap Ring	74	1	Water Bottle Holder
29	1	Pulley	75	1	Tension Spring
30	1	Magnet	76	4	M5 x 16mm Button Screw
31	1	Crank	77	4	M8 x 19mm Button Screw
32	1	Steel Washer	78	4	Seat Carriage Block
33	2	Crank Bearing	79	4	Block Snap Ring
34	1	Eddy Mechanism	80	4	M4 x 16mm Round Head Screw
35	1	Eddy Axle Assembly	81	4	M6 x 42mm Button Screw
36	1	Pillow Block	82	1	Right Controller Wire
37	1	Resistance Motor	83	1	Frame Endcap
38	1	Idler Pulley	84	8	M4 x 19mm Screw
39	1	Idler	85	2	Crank Cover
40	1	Right Front Stabilizer	86	1	Rail
41	1	Seat Carriage	87	3	M6 x 50mm Bolt
42	1	Upper Wire Harness	88	2	Tension Plate
43	1	Main Wire Harness	89	2	M8 Jamnut
44	7	M6 Washer	*	—	Hex Key
45	1	Clamp	*	—	User's Manual
46	1	Reed Switch/Wire			

Note: Specifications are subject to change without notice. See the back cover of this manual for information about ordering replacement parts. \*These parts are not illustrated.

# EXPLODED DRAWING A—Model No. PFEX74207.0

R0807A



# EXPLODED DRAWING B—Model No. PFX74207.0

R0807A

