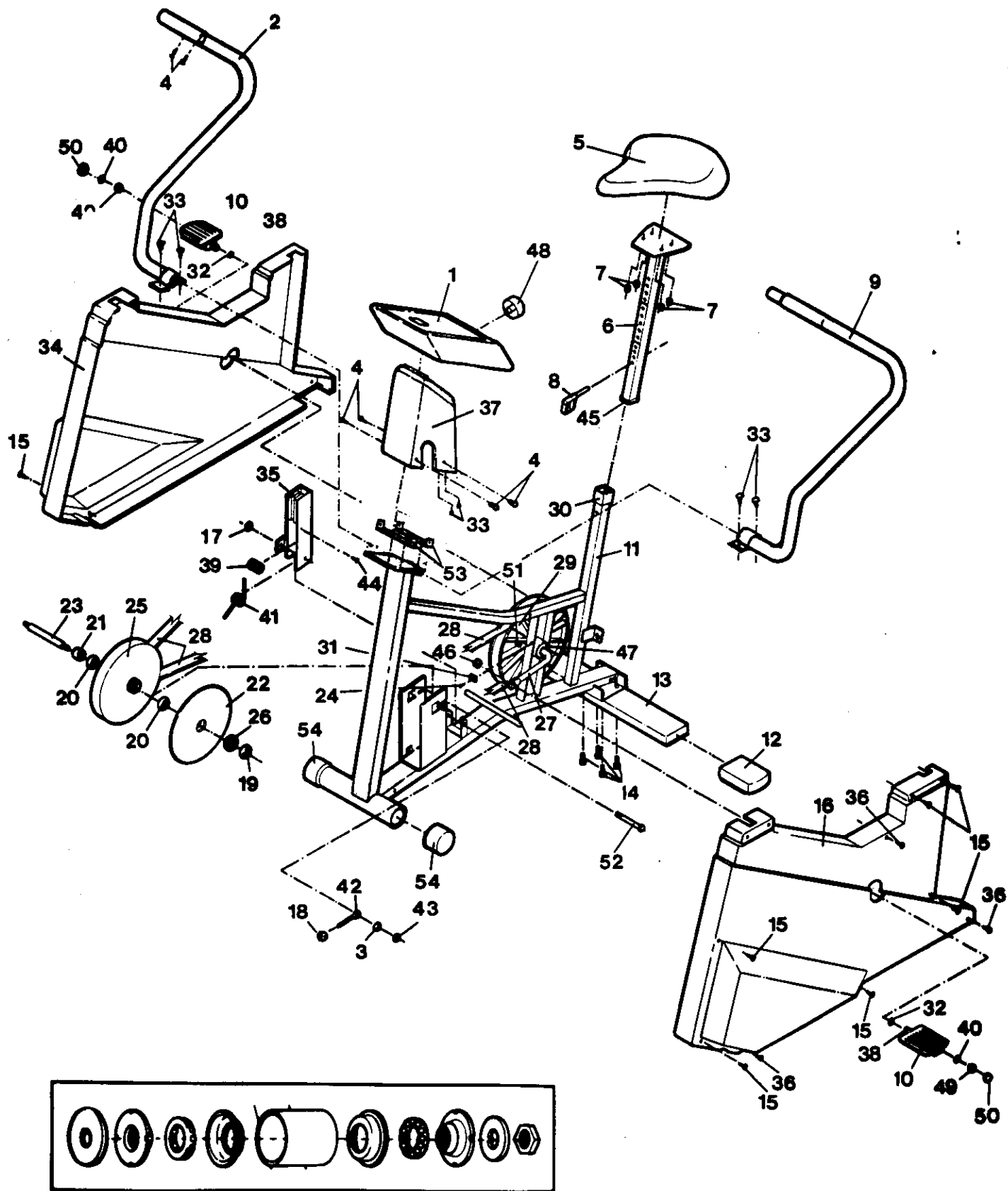


EXPLODED DRAWING—Model No. PFEX75040

R794A



CRANK HARDWARE (47)

MODEL NUMBER: PFX7504
 VERSION: 00
 PRODUCT NAME: PROFORM 7.5C
 PRODUCT DESC:

MODEL/PART BOOK LISTING

RUN DATE: 3/07/97
 RUN TIME: 20:44:55

KEY NUMBER	PART NUMBER	DESCRIPTION	QUANTITY
.	.	**SEND EUROPEAN UPDATE**	0
.	.	PROFORM 7.5C BIKE	0
1	121878	CONSOLE	1
1A	124853	CONSOLE ASSEMBLY	1
.	.	121878 CONSOLE	1
.	.	119811 CONTROL KNOB	1
.	.	119886 TCD CABLE	1
.	.	122050 TCD CABLE BKT	1
2	123374	RIGHT HANDLEBAR W/FOAM	1
3	014073	5/16" FLAT WASHER	2
4	013576	#8 X 1/2" SCREW	6
5	105022	SEAT	1
6	116605	SEAT POST	1
7	012096	1/4" SEAT NUT	4
8	122946	SEAT PIN	1
9	123373	LEFT HANDLEBAR W/FOAM	1
10	112701	PEDAL	2
10A	119840	PEDAL ASSEMBLY	2
.	.	112701 PEDAL	1
.	.	112779 PEDAL AXLE	1
.	.	012082 LOCKNUT	1
.	.	112704 PLUG	1
.	.	014041 WASHER, 5/16"	1
.	.	101494 WASHER	1
.	.	100904 NUT	0
11	NSP	FRAME	1
12	105590	STABILIZER ENDCAP	2
13	123489	STABILIZER	1
14	013469	5/16" X 1 1/4" BOLT	4
15	013294	#8 X 1" SCREW	8
16	119980	LEFT SIDESHIELD ASSY	1
.	.	119645 LEFT SIDESHIELD	1
.	.	119918 SIDESHIELD DECAL	1
17	012108	3/8" NYLOCK NUT	2
18	012090	1/4" NYLOCK NUT	2
19	113788	SMALL SPACER	1
20	113834	BEARING	2
21	113789	LARGE SPACER	1
22	119198	RESISTANCE DISK	1
23	113791	FLYWHEEL AXLE	1
24	013300	3/4" SELF TAP SCREW	2
25	120135	FLYWHEEL	1
26	109346	LOCK RING NUT	1
27	101115	CRANK	1
28	119199	BELT	1
29	113782	TENSION PULLEY	1
30	104786	SEAT POST BUSHING	1
31	106115	REED SWITCH WIRE	1
32	101494	9/16" WASHER	2
33	013484	5/16 X 1/2" SCREW	2
34	119974	RIGHT SIDESHIELD ASSY	1
.	.	119646 RIGHT SIDESHIELD	1
.	.	119883 RIGHT DECAL	1
35	125031	TENSION BRACKET	1

MODEL NUMBER: PFEX7504
 VERSION: 00
 PRODUCT NAME: PROFORM 7.5C
 PRODUCT DESC:

MODEL/PART BOOK LISTING

PAGE 2
 IN#023P1
 RUN DATE: 3/07/97
 RUN TIME: 20:44:55

KEY NUMBER	PART NUMBER	DESCRIPTION	QUANTITY
36	107428	3/4" SCREW	9
37	119810	NECK SHIELD	1
38	112779	PEDAL AXLE	2
39	113781	SMALL SPRING	1
40	014041	5/16" WASHER	2
41	100076	LARGE SPRING	1
42	104536	EYE BOLT	2
43	012082	5/16" FLANGED NUT	2
44	013423	#8 X 1/2" SCREW	1
45	104787	SEAT POST GLIDE	1
46	100904	1/2" NYLOCK NUT	1
47	110465	CRANK HARDWARE ASSEMBLY	1
.	.	018001 BEARING	2
.	.	019003 BUSHING	2
.	.	014008 FLAT WASHER	1
.	.	014009 KEYED WASHER	1
.	.	012010 NUT W/2 SLOTS	1
.	.	012011 NUT W/3 SLOTS	1
.	.	012012 HEX NUT	1
.	.	106881 REPLACEMENT INSTR.	1
48	119811	CONTROL KNOB	1
49	012082	5/16" PEDAL NUT	2
50	112704	PEDAL CAP	2
51	100498	MAGNET	1
52	104925	TENSION BRACKET BOLT	1
53	119521	HANDLEBAR BRACKET	2
54	130656	ENDCAP	2
.	.	NON-ILLUSTRATED PARTS	0
#	016055	M-CLIP	4
#	045010	ALLEN WRENCH	1
#	045028	SOCKET TOOL	1
#	101324	PH DRIVER/WRENCH	1
#	119886	TCD CABLE	1
#	122050	TCD CABLE BRACKET	1
#	119918	LEFT SIDESHIELD DECAL	1
#	119883	RIGHT SIDESHIELD DECAL	1
#	119884	OWNER'S MANUAL	1
.	119649	HARDWARE KIT/BLISTER PACK	1
.	.	013484 5/16"X1/2" SCREW	4
.	.	013469 5/16"X1.25" SCREW	4
.	.	013576 #8 X 3/4" SCREW	6
.	.	045010 ALLEN WRENCH	1
.	.	045028 SOCKET TOOL	1
.	.	101324 PH DRIVER/WRENCH	1
.	.	119521 HANDLEBAR BRACKET	2
.	.	113802 WIRE HARNESS	1
.	.	115772 REPLACEMENT INSTR.	1