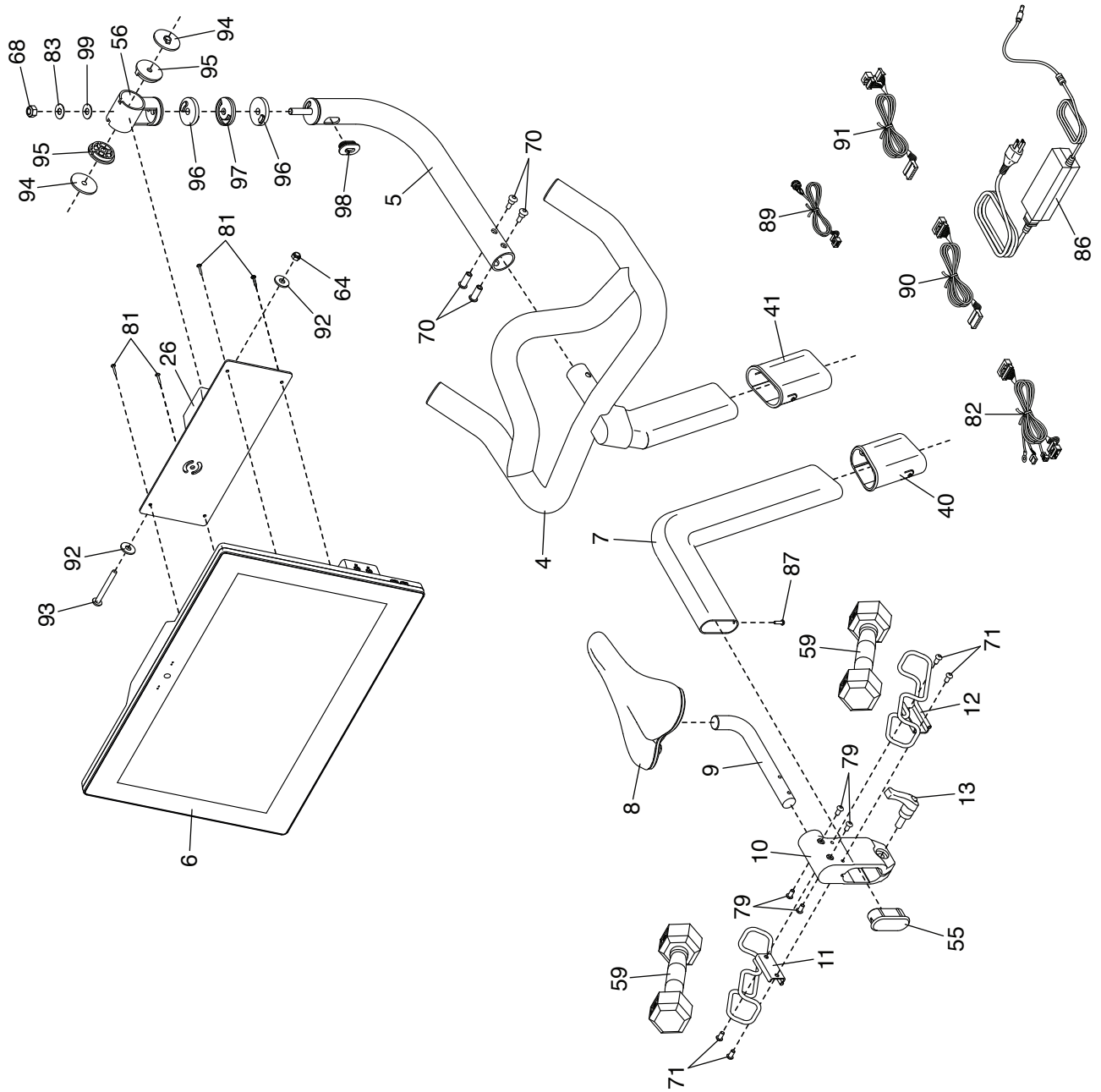


# EXPLODED DRAWING A

Model No. PFEX92220.2 R0121A



# EXPLODED DRAWING B

Model No. PFE92220.2 R0121A

