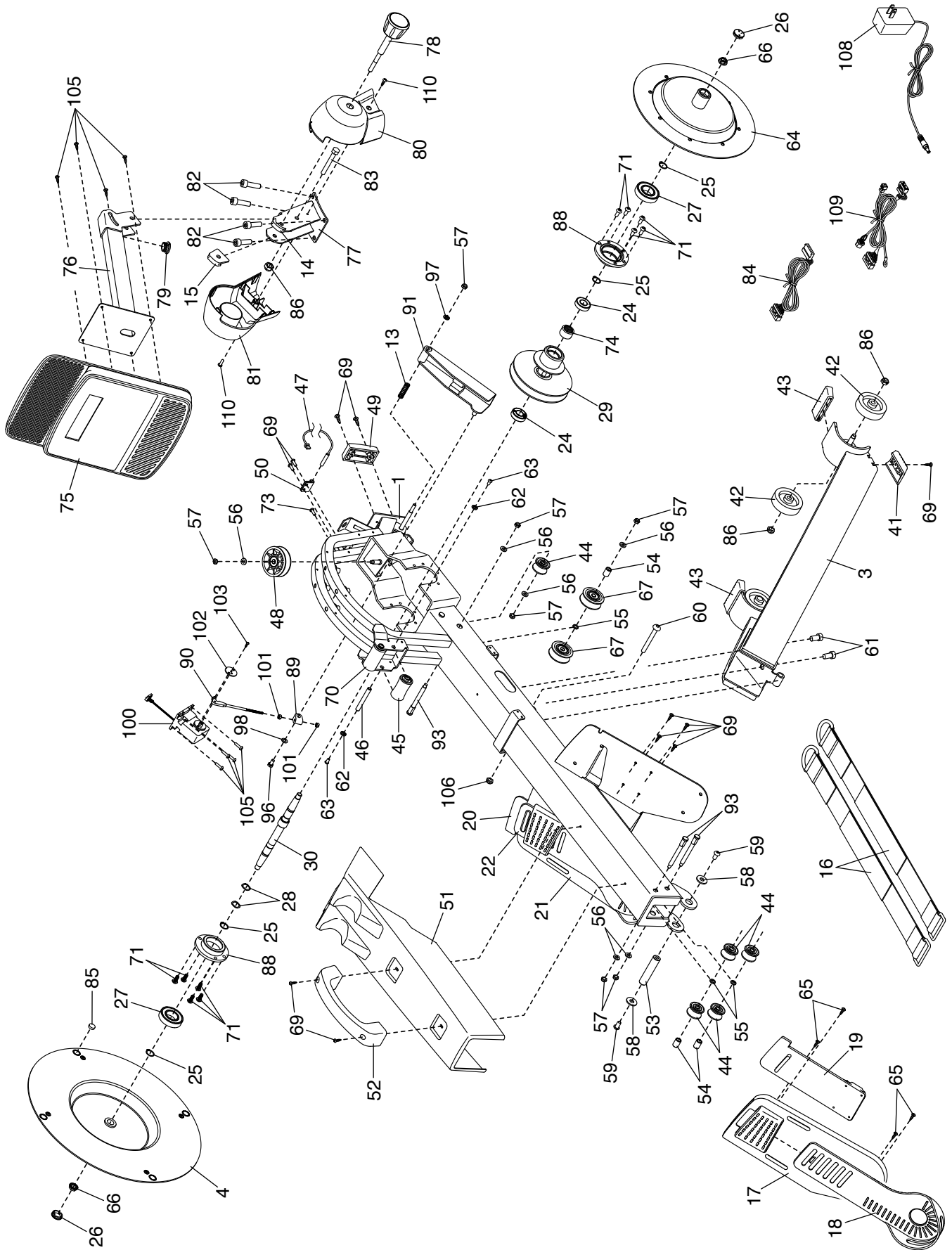


EXPLODED DRAWING A

Model No. PFRW48124.0 R1023A



EXPLODED DRAWING B

Model No. PFRW48124.0 R1023A

