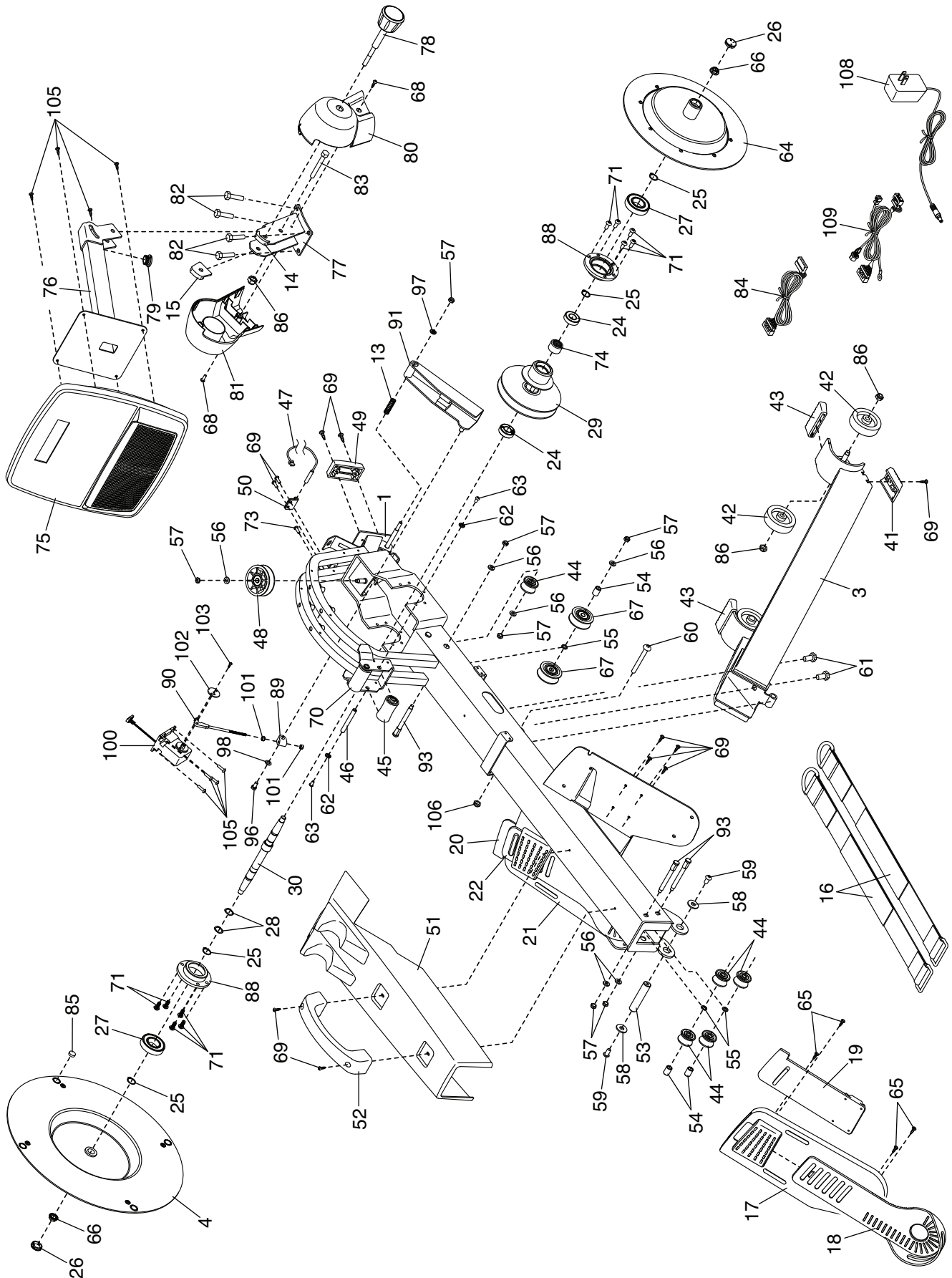


# EXPLODED DRAWING A

Model No. PFRW58121.0 R0921A



# EXPLODED DRAWING B

Model No. PFRW58121.0 R0921A

