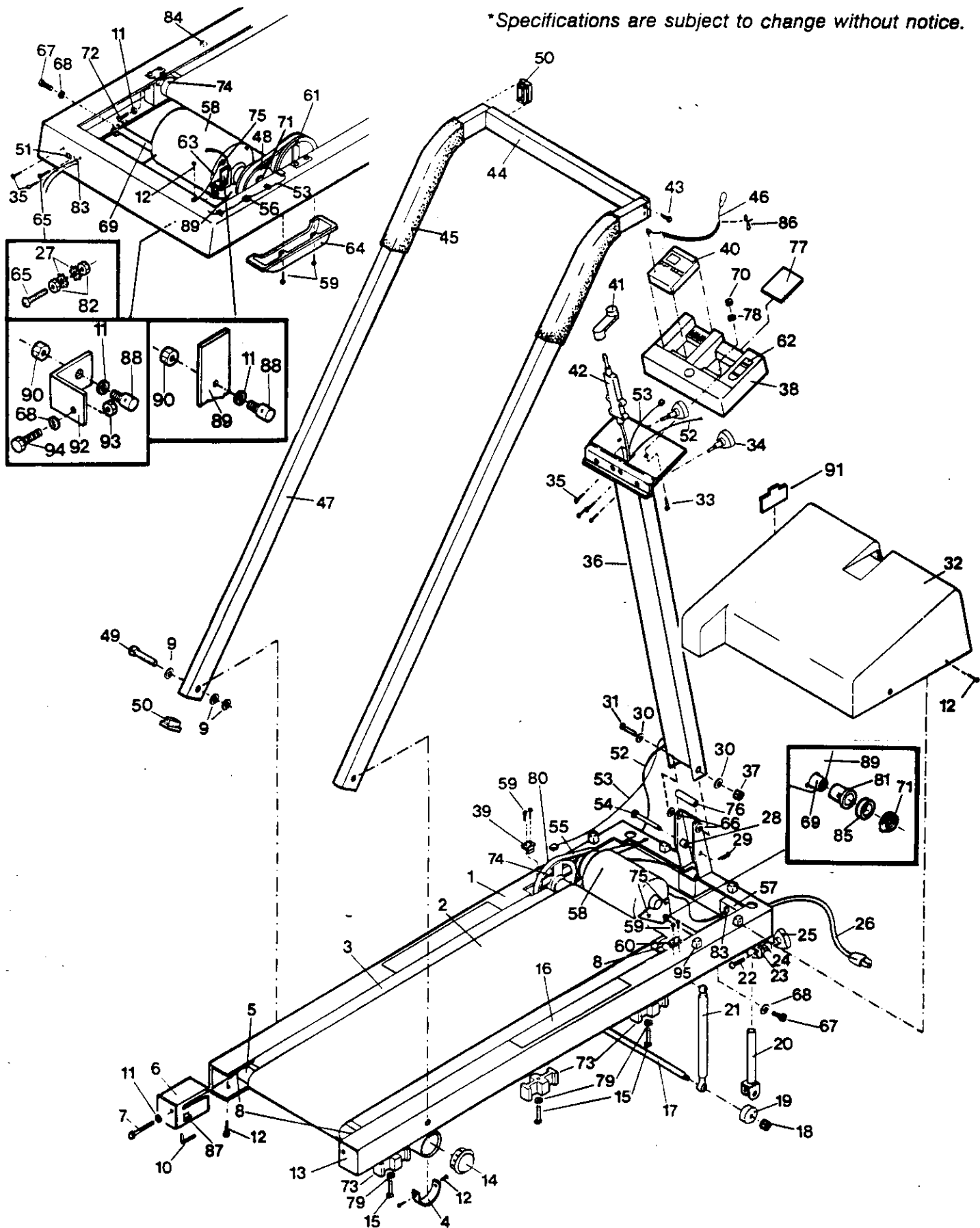


# EXPLODED DRAWING - Model No. PFT50SR

Rev. 5/89

\*Specifications are subject to change without notice.



MODEL NUMBER: PFT50SR  
VERSION: 00  
PRODUCT NAME:  
PRODUCT DESC:

MODEL/PART BOOK LISTING

PAGE 1  
#I023P1  
RUN DATE: 4/12/96  
RUN TIME: 16:35:56

KEY NUMBER	PART NUMBER	DESCRIPTION	QUANTITY
.	.	FOR SWIVEL MOTER MOUNT	0
.	.	SEE VER 1	0
1	NSP	FRAME	1
2	125415	WALKING BELT	1
3	053007	WALKING PLATFORM	1
4	051023	RUBBER FOOT PAD	2
5	070084	REAR ROLLER	1
6	NLA	LEFT BELT ADJ. BRACKET	1
7	013206	BELT ADJUSTMENT BOLT	2
8	019104	RIGHT FRONT ROLLER BSHG.	1
8	019230	REAR ROLLER BUSHING	2
9	014086	HANDRAIL PIVOT WASHER	6
10	045010	ALLEN WRENCH	1
11	014063	BELT ADJUSTMENT WASHER	7
12	013162	SMALL SCREW	13
13	008186	RIGHT BELT ADJ. BRACKET	1
14	040113	REAR LEG ENDCAP	2
15	013270	PLATFORM BOLT	6
16	NLA	GRIP TAPE	2
17	049047	FRONT LEG AXLE	1
18	012085	ACORN NUT	2
19	052012	FRONT LEG WHEEL	2
20	005011	FRONT LEG	2
21	043012	HYDRAULIC SHOCK	1
22	013207	CLAMP BOLT	2
23	016001	ALUMINUM CLAMP	2
24	019045	CLAMP SPACER	2
25	017027	TRIANGULAR CLAMP KNOB	2
26	031229	POWER CORD	1
27	014088	STAR WASHER	2
28	019090	SHOCK SPACER	2
29	015043	COTTER PIN	1
30	014079	FRONT POST WASHER	2
31	013310	FRONT POST BOLT	1
32	NLA	MOTOR HOOD	1
33	013415	CONSOLE BOLT	2
34	017081	HANDRAIL LOCK KNOB	2
35	013322	SCREW	6
36	NLA	FRONT POST	1
37	012037	FRONT POST PIVOT NUT	1
38	NLA	CONSOLE	1
39	070192	LEFT ROLLER LOCK	1
40	032060	ELECTRONIC MONITOR	1
41	017066	SPEED CONTROL CRANK	1
42	026021	SPEED CONTROL ASSEMBLY	1
43	013235	HANDRAIL BOLT	4
44	003057	HANDRAIL CROSSBAR	1
45	041019	FOAM GRIP	2
46	119946	PULSE/CLOTHES CLIP ASSY.	1
47	NLA	HANDRAIL	2
48	020051	VARIABLE SPEED PULLEY	1
49	013375	HANDRAIL PIVOT BOLT	2
50	040094	HANDRAIL ENDCAP	4
51	031036	CIRCUIT BREAKER	1

MODEL NUMBER: PFT50SR  
VERSION: 00  
PRODUCT NAME:  
PRODUCT DESC:

MODEL/PART BOOK LISTING

PAGE 2  
INI023P1  
RUN DATE: 4/12/96  
RUN TIME: 16:35:56

KEY NUMBER	PART NUMBER	DESCRIPTION	QUANTITY
52	031088	ON/OFF SWITCH WIRE	1
53	115569	SENSOR WIRE	1
54	015038	HYDRAULIC SHOCK BOLT	1
55	100410	V-BELT	1
56	016017	SENSOR WIRE CLIP	3
57	031146	CONNECTION BOX	1
58	107833	MOTOR	1
59	013213	WASHER HEAD SCREW	6
60	016027	RIGHT ROLLER LOCK	1
61	100498	SENSOR MAGNET	1
62	070660	ON/OFF SWITCH ASSEMBLY	1
63	031172	LOOP SLEEVE	1
64	010083	PULLEY GUARD	1
65	013370	GROUND SCREW	1
66	014101	WASHER	2
67	013212	SWIVEL SHAFT BOLT	2
68	014066	SWIVEL SHAFT WASHER	2
69	049082	MOTOR SWIVEL SHAFT	1
70	012090	CONSOLE NUT	2
71	016026	HOSE CLAMP	3
72	013275	FRONT ROLLER ADJ. BOLT	1
73	019220	SUPPORT SPACER	6
74	103167	FRONT ROLLER/PULLEY ASSY.	1
75	012152	SMALL NUT	3
76	019194	PIVOT BOLT BUSHING	1
77	009093	CONSOLE PAD	1
78	014105	FLAT WASHER	2
79	014067	PLATFORM WASHER	6
80	019110	FRONT ROLLER BUSHING	1
81	019228	MOTOR MOUNT BUSHING	2
82	012107	GROUND NUT	2
83	019084	GROMMET	3
84	019115	BUMPER	6
85	NLA	PLASTIC BUMPER	2
86	054013	WIRE CLIP	1
87	016028	WRENCH CLIP	1
88	072040	TENSION SWIVEL MOTOR	1
89	NLA	MOTOR MOUNT ASSEMBLY	1
90	012090	TENSION SWIVEL NUT	2
91	088009	INCLINE INDICATOR	1
92	008211	L-BRACKET	1
93	012082	L-BRACKET NUT	1
94	013211	L-BRACKET BOLT	1
95	008148	HOOD MOUNT ANCHOR	1
#	044445	FRAME DECAL	2
#	044357	MOTOR HOOD DECAL	1
#	014140	WASHER	3
#	NLA	TENSION SWIVEL FRAME	1
#	014041	L-BRACKET WASHER	1
#	016017	CABLE MOUNT W/TIE	3
#	031144	MOTOR LEAD WIRE	1
#	085008	SPEED CNTRL. CRANK O-RING	1
#	062011	REED SWITCH MTG. TAPE	1
#	062002	VELCRO FOR ELEC. MTG.	4

MODEL NUMBER: PFT50SR  
VERSION: 00  
PRODUCT NAME:  
PRODUCT DESC:

MODEL/PART BOOK LISTING

PAGE 3  
INI023P1

RUN DATE: 4/12/96  
RUN TIME: 16:35:56

KEY NUMBER	PART NUMBER	DESCRIPTION	QUANTITY
#	089026	MONITOR OPERATION GUIDE	1
#	046155	OWNERS MANUAL	1
	070804	LITERATURE PACKET	1
.		046155 OWNERS MANUAL	1
.		089026 MON. OPER. GUIDE	1
.		047087 INCLINE LEVEL	1
.		ASSEMBLY INSTRUCTIONS	0
.		088009 LEVEL BUBBLE	1
.		045010 ALLEN WRENCH	1
.		016028 TOOL CLAMP	1
.		112589 PULSE EARCLIP	1
.		033023 BATTERY	1
.		054013 CLOTHES CLIP	1