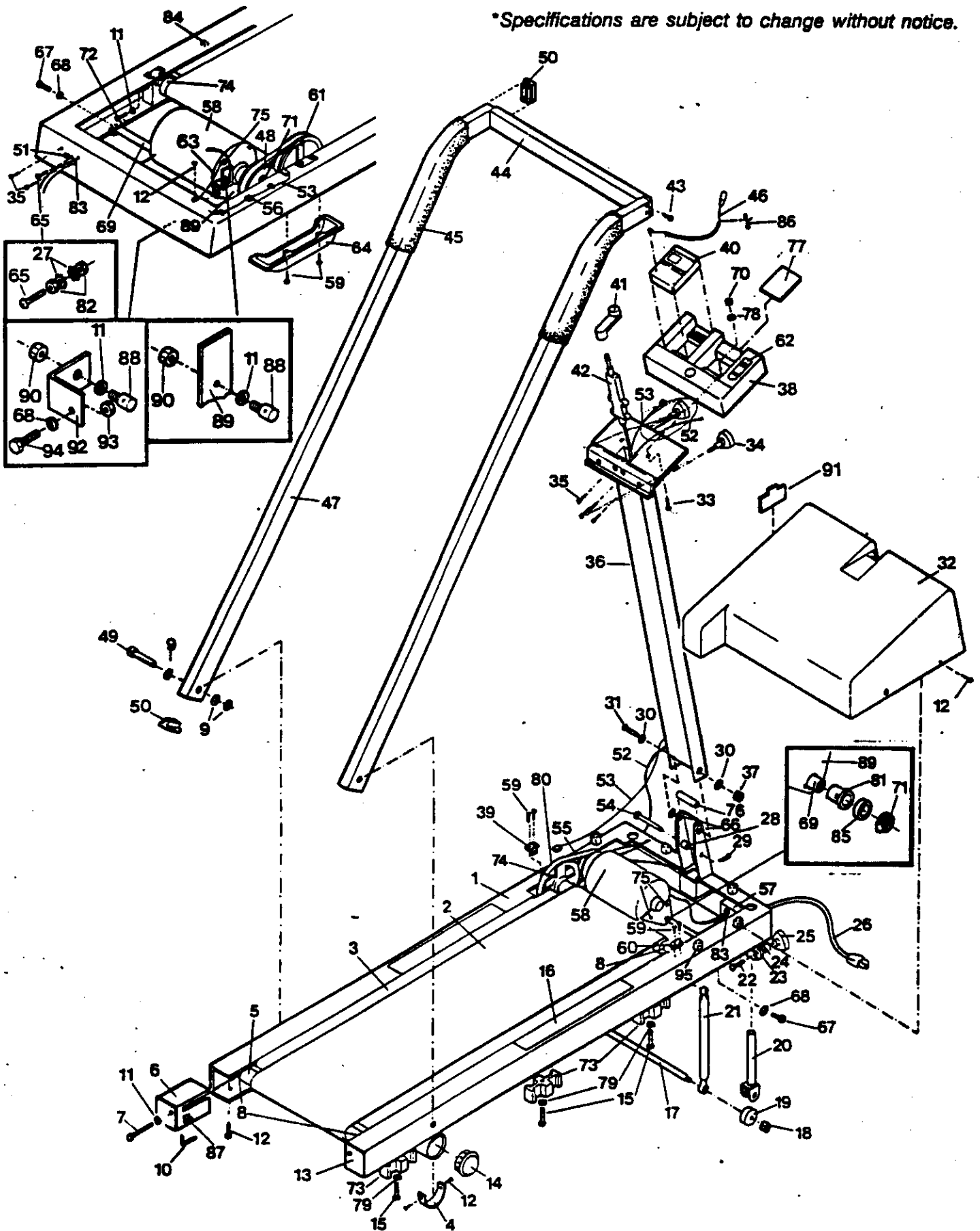


EXPLODED DRAWING - Model No. PFT50SR

Rev. 5/89

*Specifications are subject to change without notice.



MODEL NUMBER: PFT50SR
VERSION: 01
PRODUCT NAME:
PRODUCT DESC:

MODEL/PART BOOK LISTING

PAGE 1
INI023P1
RUN DATE: 4/12/96
RUN TIME: 16:35:59

KEY NUMBER	PART NUMBER	DESCRIPTION	QUANTITY
.	.	FOR SLIDE MOUNT MOTER	0
.	.	SEE VER 0	0
1	044445	FRAME DECAL	2
2	125415	WALKING BELT	1
3	053007	WALKING PLATFORM	1
4	051023	RUBBER FOOT PAD	2
5	070084	REAR ROLLER	1
6	NLA	LT BELT ADJUST BRACKET	1
7	013206	BELT ADJUST BOLT	2
8	019104	FRONT RIGHT ROLLER BSHG	1
8A	019230	REAR ROLLER BUSHING	2
9	014086	HANDRAIL PIVOT WASHER	6
10	045010	ALLEN WRENCH	1
11	014063	BELT ADJUST WASHER	7
12	013162	SMALL SCREW	13
13	008186	RT BELT ADJUST BRACKET	1
14	040113	REAR LEG ENDCAP	2
15	013270	PLATFORM BOLT	6
16	NLA	GRIP TAPE	2
17	049047	FRONT LEG AXLE	1
18	012085	ACORN NUT	2
19	052012	FRONT LEG AXLE	2
20	005011	FRONT LEG, PRIMARY	2
20A	005038	FRONT LEG, SECONDARY	2
21	043012	HYDRAULIC SHOCK	1
22	013207	CLAMP BOLT	2
23	016001	ALUMINUM CLAMP	2
24	019045	CLAMP SPACER	2
25	017027	TRIANGULAR CLAMP KNOB	2
26	031229	POWER CORD	1
26A	047089	POWER/EXTENSION CORD DECL	1
27	014088	STAR WASHER	2
28	019090	SHOCK SPACER	2
29	015043	COTTER PIN	1
30	014079	FRONT POST WASHER	2
31	013310	FRONT POST BOLT	1
32	NLA	MOTOR HOOD	1
32A	044357	MOTOR HOOD DECAL	1
33	013415	CONSOLE BOLT	2
34	017081	HANDRAIL LOCKING KNOB	2
35	013322	SCREW	6
36	NLA	FRONT POST	1
37	012037	FRONT POST PIVOT NUT	1
38	NLA	CONSOLE	1
39	070192	ROLLER LOCK, LEFT	1
40	032060	ELECTRONIC NOMITOR	1
41	017066	SPEED CONTROL CRANK	1
42	026021	SPEED CONTROL ASSEMBLY	1
43	013235	HANDRAIL BOLT	4
44	003057	HANDRAL CROSSBAR	1
45	041019	FOAM HANDGRIP	2
46	033007	PULSE MONITOR CLIP	1
47	NLA	HANDRAIL, PRIMARY	2
47A	NLA	HANDRAIL, SECONDARY	2

MODEL NUMBER: PFT50SR
VERSION: 01
PRODUCT NAME:
PRODUCT DESC:

MODEL/PART BOOK LISTING

PAGE 2

INI023P1

RUN DATE: 4/12/86
RUN TIME: 16:35:59

KEY NUMBER	PART NUMBER	DESCRIPTION	QUANTITY
48	020051	VARIABLE SPEED PULLEY	1
49	013375	HANDRAIL PIVOT BOLT	2
50	040094	HANDRAIL ENDCAP	4
51	031036	CIRCUIT BREAKER	1
52	031088	ON/OFF SWITCH WIRE	1
53	115569	SENSOR WIRE	1
54	015038	HYDRAULIC SHOCK BOLT	1
55	100410	V-BELT	1
56	016017	SENSOR WIRE CLIP	3
57	031146	CONNECTION BOX	1
58	030041	MOTOR, PRIMARY	1
58A	030037	MOTOR, SECONDARY	1
59	013213	WASHER HEAD SCREW	6
60	016027	ROLLER LOCK, RIGHT	1
61	100498	SENSOR MAGNET	1
62	070660	ON/OFF SWITCH W/PADDLE	1
63	031172	LOOP SLEEVE	1
64	010083	PULLEY GUARD	1
65	013370	GROUND SCREW	1
66	014101	WASHER	2
67	013212	SWIVEL SHAFT BOLT	2
68	014066	SWIVEL SHAFT WASHER	2
69	049082	MOTOR SWIVEL SHAFT	1
70	012090	CONSOLE NUT	2
71	016026	HOSE CLAMP	3
72	013275	FRONT ROLLER ADJUST BOLT	1
73	019220	SUPPORT SPACER, PRIMARY	6
73A	019220	SUPPORT SPACER, SECONDARY	6
74	103167	FRONT ROLLER W/PULLEY	1
75	012152	SMALL NUT	3
75A	014140	WASHER	3
76	019194	PIVOT BOLT BUSHING	1
77	009093	CONSOLE PAD	1
78	014105	FLAT WASHER	2
79	014067	PLATFORM WASHER	6
80	019110	FRONT ROLLER BUSHINT	1
81	019228	MOTOR MOUNT BUSHING	2