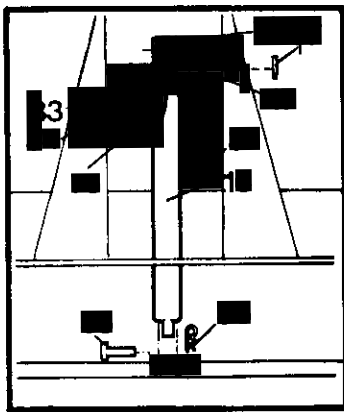


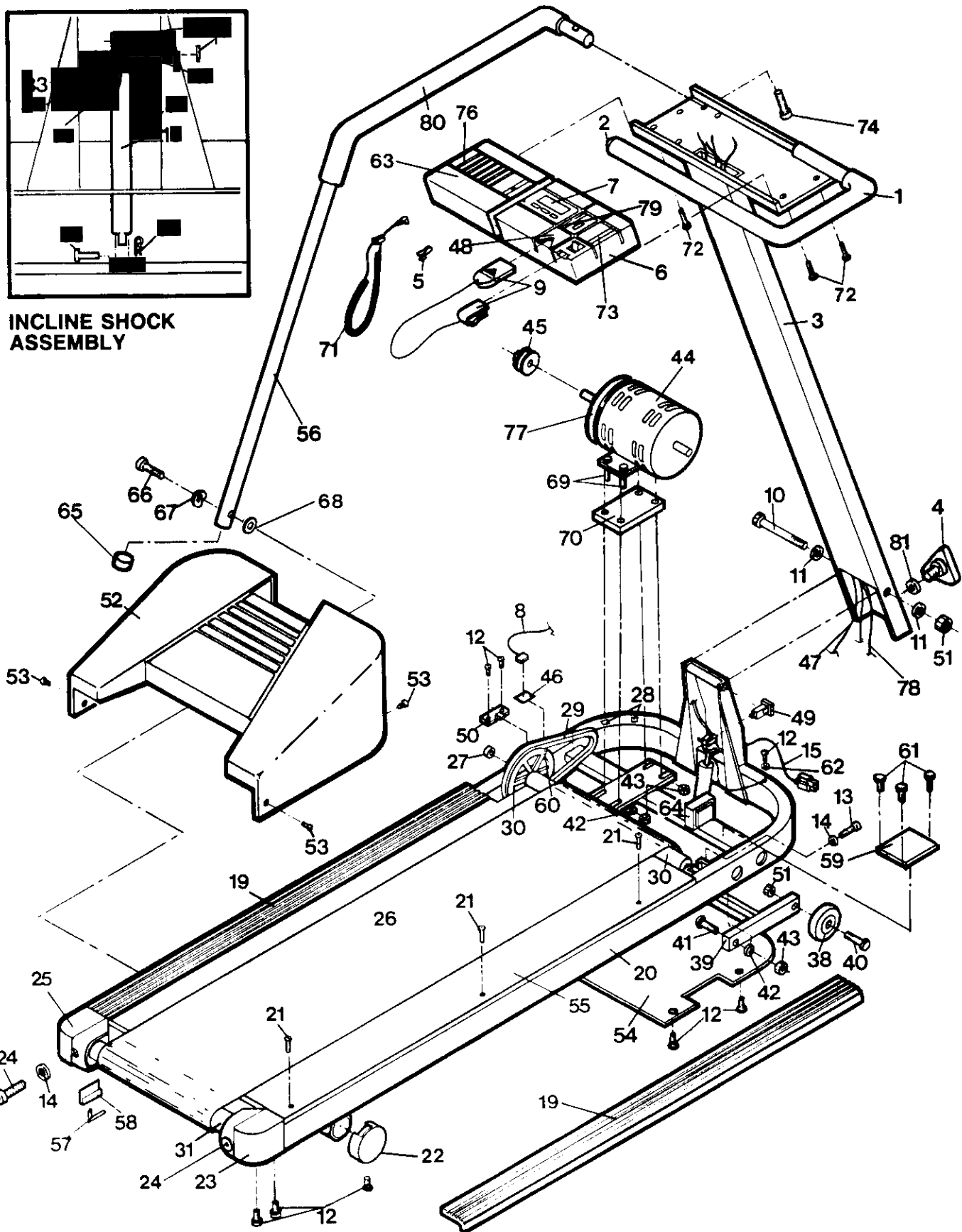
EXPLODED DRAWING - Model No. PFT6.0s - O

Rev. 8/89

*Specifications are subject to change without notice.



INCLINE SHOCK ASSEMBLY



MODEL NUMBER: PFT6.0S
VERSION: 00
PRODUCT NAME: PFT6.0S
PRODUCT DESC:

MODEL/PART BOOK LISTING

PAGE 1
INI023P1
RUN DATE: 6/19/96
RUN TIME: 13:34:48

KEY NUMBER	PART NUMBER	DESCRIPTION	QUANTITY
1	041042	FOAM GRIP	1
2	040119	ENDCAP	1
3	NLA	UPRIGHT POST	1
4	017088	LOCK KNOB	1
5	054013	CLOTHES CLIP	1
6	102858	CONSOLE	1
7	032083	ELECTRONIC MONITOR	1
8	115569	SENSOR WIRE/REED SWITCH	1
9	070843	SAFETY CARD/CLIP	1
10	013485	HINGE BOLT	1
11	014132	HINGE WASHER	4
12	013162	SMALL SCREW	17
13	013275	FRONT ROLLER ADJ. BOLT	1
14	014063	WASHER	3
15	031229	POWER CORD	1
16	043036	SHOCK	1
17	008204	SHOCK MOUNTING BRACKET	1
18	088004	SHOCK RELEASE MECHANISM	1
19	010175	FOOT RAIL	2
20	NSP	FRAME	1
21	013494	LARGE SCREW	6
22	040156	REAR LEG CAP	2
23	101360	RIGHT ROLLER BRACKET	1
24	013206	REAR ROLLER ADJ. BOLT	2
25	101359	LEFT ROLLER BRACKET	1
26	126255	WALKING BELT ASSEMBLY	1
.	.	124299 WALKING BELT	1
.	.	107109 NAIL	12
.	.	110237 REPLACEMENT INSTR.	1
27	019190	FRONT ROLLER BUSHING	1
28	016055	SENSOR WIRE CLIP	4
29	100410	V-BELT	1
30	070339	FRONT ROLLER/PULLEY ASSY.	1
31	070084	REAR ROLLER	1
32	019084	GROMMET	1
33	014153	LARGE WASHER	1
34	059019	SHOCK CUSHION	1
35	015045	CLEVIS PIN	1
36	015043	COTTER PIN	1
37	012133	PUSH NUT	1
38	052014	WHEEL	2
39	004160	LIFT FRAME	1
40	013581	WHEEL MOUNTING BOLT	2
41	013561	LIFT FRAME MTG. BOLT	2
42	014041	FLAT WASHER	6
43	012082	FRAME LOCKNUT	6
44	030025	MOTOR	1
45	020044	MOTOR PULLEY	1
46	062035	REED SWITCH FASTENER	1
47	031231	SWITCH WIRE	1
48	013551	MONITOR SCREW	1
49	031036	CIRCUIT BREAKER	1
50	016050	ROLLER LOCK	1
51	012149	LOCKNUT	3

MODEL NUMBER: PFT6.0S
 VERSION: 00
 PRODUCT NAME: PFT6.0S
 PRODUCT DESC:

MODEL/PART BOOK LISTING

PAGE 2
 INJ 023PI
 RUN DATE: 6/9/96
 RUN TIME: 13:34:48

KEY NUMBER	PART NUMBER	DESCRIPTION	QUANTITY
52	009126	MOTOR HOOD	1
53	013511	MOTOR HOOD SCREW	4
54	104530	SAFETY COVER	1
55	053028	WALKING PLATFORM	1
56	104651	HANDRAIL	1
57	045010	ALLEN WRENCH	1
58	016028	WRENCH CLIP	1
59	031189	MOTOR CONTROLLER	1
60	100498	SENSOR MAGNET	1
61	013300	CONTROLLER MOUNTING SCREW	3
62	014157	STAR WASHER	1
63	021048	FLYWHEEL	1
64	031238	CHOKE	1
65	040132	HANDRAIL ENDCAP	1
66	013575	LONG HANDRAIL BOLT	1
67	014094	FORMED WASHER	1
68	014086	FLAT WASHER	1
69	013480	MOTOR MOUNT BOLT	4
70	019259	MOTOR MOUNT SPACER	1
71	119946	PULSE MONITOR CLIP	1
72	013322	CONSOLE SCREW	6
73	070855	AUTO SPEED CONSOLE	1
74	088015	INCLINE BUBBLE	1
75	013522	HANDRAIL BOLT	1
76	088005	INCLINE CABLE	1
77	017094	AUTO CONTROL KNOB	8
78	031196	SPEED POT. WIRE	1
79	017096	MANUAL CONTROL KNOB	1
80	041068	SIDERAIL FOAM GRIP	1
81	014156	LOCK KNOB WASHER	1
#	013551	MOUNTING SCREW	2
#	044555	FRAME/MOTOR HOOD DECAL	2
#	089036	MONITOR OPERAITON GUIDE	1
#	046231	OWNERS MANUAL	1
	070829	LITERATURE PACKET	1
	.	046231 OWNERS MANUAL	1
	.	089036 MON. OPER. GUIDE	1
	.	112589 PULSE EARCLIP	1
	.	054013 CLOTHES CLIP	1
	.	017088 LOCK KNOB	1
	.	014156 LOCK KNOB WASHER	1
	.	031201 SAFETY CARD	1
	.	047119 CONSUMER NOTICE	1
	.	INCLINE BUBBLE ADJ	0
	.	047125 ASSY. INSTRUCTIONS	1
	.	OPT. SIDE RAIL MTG	0
	.	075046 HARDWARE KIT	1
	.	016028 TOOL CLAMP	1
	.	045010 ALLEN WRENCH	1
	.	013460 HR FRAME BOLT	1
	.	013522 HR POST BOLT	1
	.	014086 FLAT WASHER	1
	.	014094 FORMED WASHER	1