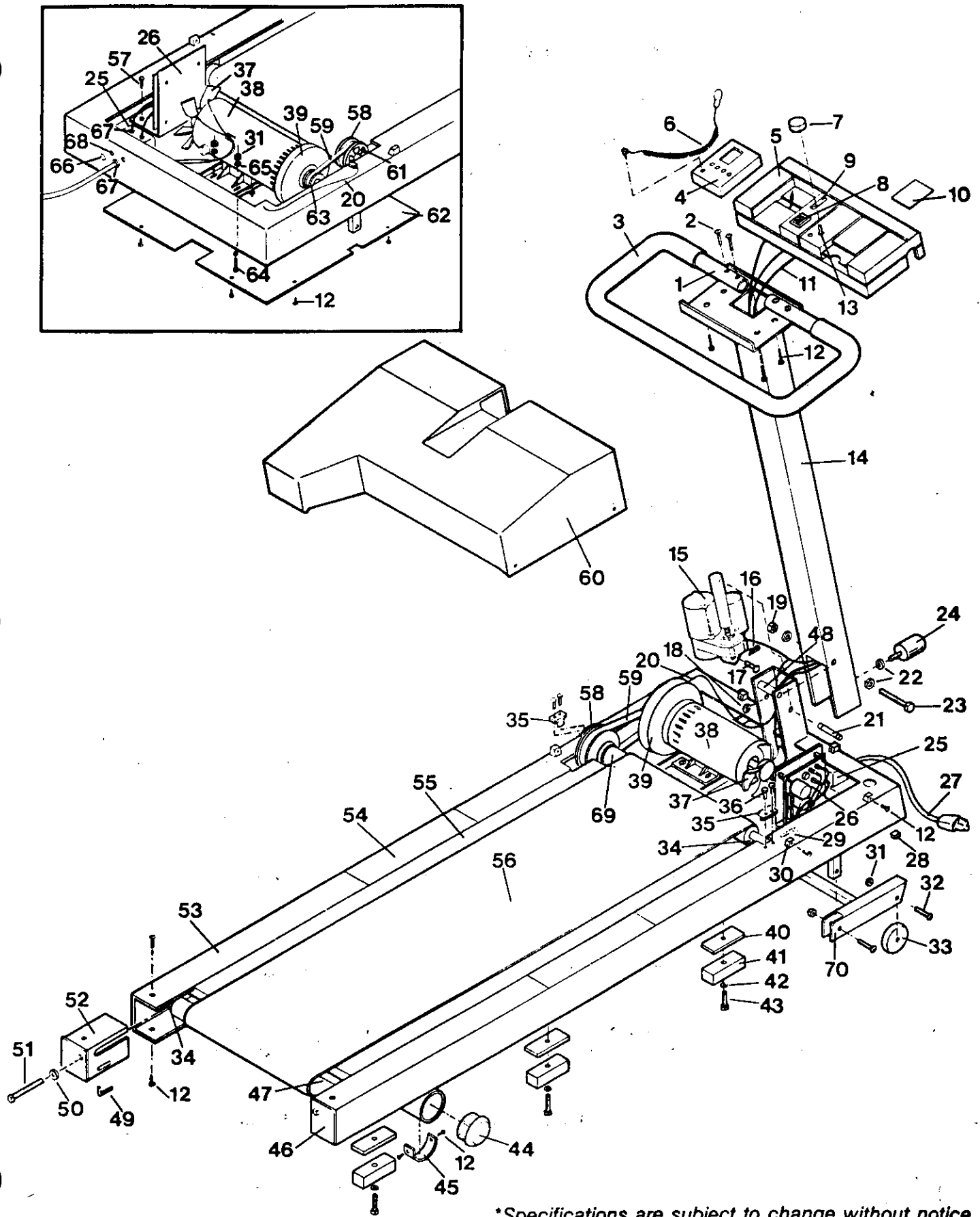


EXPLODED DRAWING - MODEL NO. PFT80i



*Specifications are subject to change without notice.

MODEL NUMBER: PFT80I
VERSION: 00
PRODUCT NAME:
PRODUCT DESC:

MODEL/PART BOOK LISTING

PAGE 1
INI023P1
RUN DATE: 1/29/97
RUN TIME: 17:35:03

KEY NUMBER	PART NUMBER	DESCRIPTION	QUANTITY
1	103940	HANDRAIL W/FOAM GRIP	1
	.	007048 HANDRAIL	1
	.	041045 FOAM GRIP	1
2	013369	HANDRAIL BOLT	4
3	041045	HANDRAIL FOAM GRIP	1
4	100668	ELECTRONIC MONITOR	1
5	NLA	CONSOLE ASSEMBLY	1
6	119946	PULSE/CLOTHES CLIP ASSY.	1
7	100014	SPEED KNOB	1
8	031108	INCLINE CONTROL SWITCH	1
9	088001	INCLINE INDICATOR	1
10	031137	SAFETY CARD	1
11	NLA	ON/OFF SWITCH WIRE	1
12	013162	SMALL SCREW	26
13	031121	POTENTIOMETER ASSEMBLY	1
14	007041	UPRIGHT	1
15	030016	INCLINE MOTOR	1
16	015043	COTTER PIN	1
17	015046	CLEVIS PIN	1
18	054016	E-CLIP	2
19	012081	PIVOT NUT	1
20	115569	SENSOR WIRE	1
21	015047	INCLINE MOTOR PIN	1
22	014087	LOCK KNOB WASHER	1
23	013368	PIVOT BOLT	1
24	017056	LOCK KNOB	1
25	031111	CONNECTION BOX	1
26	031173	CONTROLLER	1
27	031229	POWER CORD	1
28	019183	RUBBER BUMPER	2
29	013275	FRONT ROLLER BOLT	1
30	008148	HOOD MOUNT ANCHOR	6
31	012108	NUT	6
32	013399	LEG BOLT	4
33	052014	WHEEL	2
34	019190	ROLLER BUSHING	4
35	070192	ROLLER LOCK	2
36	013213	ROLLER LOCK BOLT	4
37	031027	MOTOR FAN	1
38	110066	MOTOR	1
39	021044	FLYWHEEL	1
40	085003	RUBBER FITTING	6
41	019220	SUPPORT BLOCK	6
42	014067	SUPPORT WASHER	6
43	013270	SUPPORT BOLT	6
44	040113	REAR LEG ENDCAP	2
45	051023	RUBBER PAD	1
46	008260	RIGHT BELT ADJ. BRACKET	1
47	022043	REAR ROLLER	1
48	019194	UPRIGHT SPACER	1
49	045010	ALLEN WRENCH	1
50	014063	ADJUSTMENT BRACKET WASHER	2
51	013206	BELT ADJUSTMENT BOLT	2
52	NLA	LEFT BELT ADJ. BRACKET	1

MODEL NUMBER: PFT80I
 VERSION: 00
 PRODUCT NAME:
 PRODUCT DESC:

MODEL/PART BOOK LISTING

PAGE 2
 INI023P1

RUN DATE: 1/29/97
 RUN TIME: 17:35:03

KEY NUMBER	PART NUMBER	DESCRIPTION	QUANTITY
53	NSP	FRAME	1
54	NLA	GRIP TAPE	2
55	053018	WALKING PLATFORM	1
56	125410	WALKING BELT	1
57	013284	CONTROLLER MOUNTING SCREW	2
58	.	SEE #69	1
59	025035	V-BELT	1
60	NLA	MOTOR HOOD	1
61	100498	MAGNET	1
62	040137	SAFETY COVER	1
63	100967	MOTOR PULLEY	1
64	013391	MOTOR MOUNT BOLT	4
65	014041	MOTOR MOUNT WASHER	4
66	109382	CIRCUIT BREAKER	1
67	019084	GROMMET	3
68	013322	CONNECTION BOX SCREW	2
69	070384	FRONT ROLLER/PULLEY ASSY.	1
70	004113	INCLINE LEG	1
.	.	NON-ILLUSTRATED PARTS:	0
#	014086	HANDRAIL WASHER	4
#	012108	HANDRAIL NUT	4
#	014101	PIVOT WASHER	1
#	014063	FRONT ROLLER ADJ. WASHER	1
#	012082	MOTOR MOUNTING NUT	4
#	129740	PLATFORM BUMPER	6
#	031107	POWER LIFT WIRE	1
#	088002	BUBBLE HOUSING	1
#	088010	INCLINE SWITCH HOUSING	1
#	013421	BUBBLE HOUSING SCREW	1
#	019172	MOTOR MOUNT WOOD SPACER	1
#	101497	FLYWHEEL SET SCREW	1
#	NLA	ON/OFF SWITCH PADDLE	1
#	NLA	CREDIT CARD SWITCH ASSY.	1
#	044323	FRAME DECAL	1
#	044360	MOTOR HOOD DECAL	1
#	NLA	FRAME/HOOD DECAL	2
#	016028	WRENCH CLIP	1
#	054013	CLOTHES CLIP	1
#	033023	9-VOLT BATTERY	1
#	NLA	MOTOR LEAD WIRE	1
#	031109	EXTENSION WIRE	1
#	033161	POWER LIGHT	1
#	089006	MONITOR OPERATION GUIDE	1
#	046084	OWNER'S MANUAL	1
#	070487	LITERATURE PACKET	1
.	.	046084 OWNER'S MANUAL	1
.	.	089006 MON. OPER. GUIDE	1
.	.	045010 ALLEN WRENCH	1
.	.	112589 PULSE EARCLIP	1
.	.	016028 WRENCH CLIP	1
.	.	054013 CLOTHES CLIP	1
.	.	033023 BATTERY	1
.	.	031137 SAFETY CARD	1