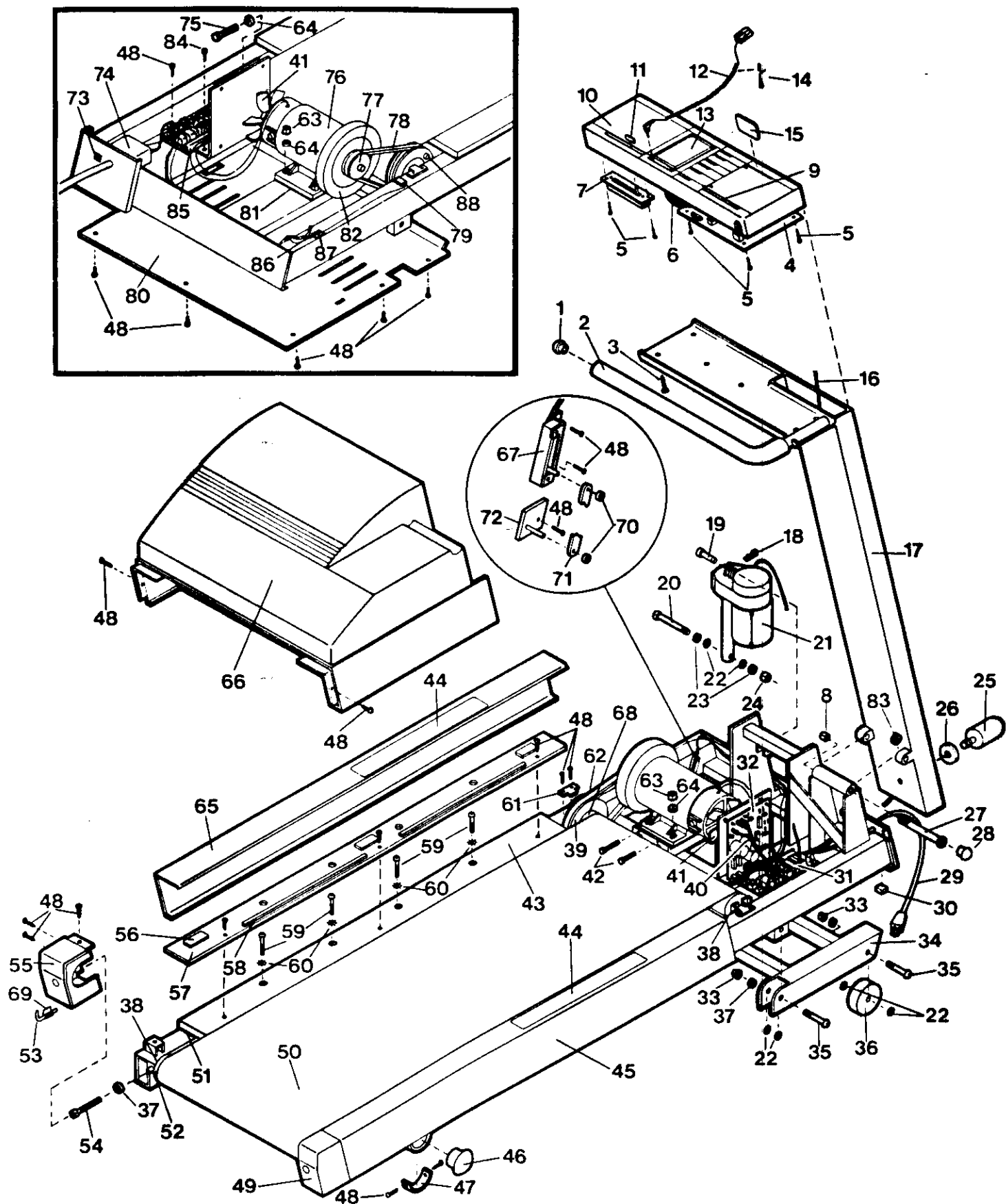


# EXPLODED DRAWING - Model No. PFT90-0



MODEL NUMBER: PFT90  
 VERSION: 00  
 PRODUCT NAME: PROFORM T90  
 PRODUCT DESC: TREADMILL

MODEL/PART BOOK LISTING

PAGE 1  
 IN1023P1  
 RUN DATE: 5/31/91  
 RUN TIME: 9:23:14

KEY NUMBER	PART NUMBER	DESCRIPTION	QUANTITY
1	040119	HANDRAIL CAP	1
2	041053	HANDRAIL FOAM GRIP	1
3	013450	CONSOLE SCREW	6
4	031162	PANEL BOARD	1
.	.	(NOTE: PANEL BOARD IS	0
.	.	SERVICEABLE ONLY BY A	0
.	.	QUALIFIED TECHNICIAN,	0
.	.	PART IS NON-SERVICEABLE	0
.	.	TO THE GENERAL PUBLIC.)	0
5	013452	SMALL SCREW	8
6	033130	RIBBON CABLE	1
7	070768	SPEED POTENTIOMETER ASSY.	1
8	012081	UPRIGHT NUT	1
9	017076	ON/OFF SWITCH KNOB	1
10	.	SEE #13	1
11	017080	SLIDE KEY KNOB	1
12	112589	PULSE MONITOR CLIP	1
13	NLA	ELECTRONICS ASSEMBLY	1
14	033132	BEZEL	1
15	031164	SAFETY CARD	1
16	031157	MAIN WIRE HARNESS	1
17	007071	HANDRAIL UPRIGHT	1
18	015043	COTTER PIN	1
19	015046	INCLINE MOTOR PIN	1
20	013430	INCLINE MOTOR BOLT	1
21	030018	INCLINE MOTOR	1
22	014111	NYLON WASHER	10
23	014117	INCLINE MOTOR LOCK WASHER	2
24	012108	INCLINE MOTOR NUT	1
25	017071	LOCK KNOB	1
26	014112	LOCK KNOB WASHER	1
27	013429	PIVOT BOLT	1
28	040052	PLASTIC CAP	1
29	031147	POWER CORD	1
30	019183	RUBBER BUMPER	2
31	031142	CONTROLLER	1
.	.	(SEND 031173 W/4-013300	0
.	.	FOR REPLACEMENT)	0
32	031158	POWER BOARD	1
33	012082	LOCK NUT	4
34	004143	INCLINE LEG	1
35	013425	LEG BOLT	4
36	052018	WHEEL	2
37	014073	WASHER	6
38	019209	ROLLER BUSHING	3
39	.	SEE #68	0
40	031159	SHORT WIRE HARNESS	1
41	031027	MOTOR FAN	1
42	013186	MOTOR ADJUSTMENT BOLT	2
43	053022	WOOD PLATFORM	1
44	041055	FOOT GRIP PAD	2
45	006129	RIGHT SIDERAIL COVER	1
46	040113	REAR LEG ENDCAP	2
47	051016	RUBBER PAD	2

MODEL NUMBER: PFT90  
VERSION: 00  
PRODUCT NAME: PROFORM T90  
PRODUCT DESC: TREADMILL

MODEL/PART BOOK LISTING

PAGE 2  
IN1023P1  
RUN DATE: 5/31/95  
RUN TIME: 9:23:14

KEY NUMBER	PART NUMBER	DESCRIPTION	QUANTITY
48	013162	SCREW	33
49	040141	RIGHT END GUARD	1
50	125413	WALKING BELT	1
51	085007	FRAME PAD	2
52	022046	REAR ROLLER	1
53	045020	ALLEN WRENCH	1
54	013426	BELT ADJUSTMENT BOLT	2
55	040140	LEFT END GUARD	1
56	062016	VELCRO PAD	6
57	NLA	SIDE RAIL SUPPORT	2
58	019212	RUBBER STRIPPING	4
59	013427	PLATFORM BOLT	8
60	014017	PLATFORM WASHER	8
61	016049	ROLLER LOCK	2
62	019210	FRONT LEFT ROLLER BUSHING	1
63	012082	MOTOR MOUNT NUT	4
64	014041	WASHER	5
65	006128	LEFT SIDERAIL COVER	1
66	009114	MOTOR HOOD	1
67	070767	INCLINE POT. ASSEMBLY	1
68	NLA	FRONT ROLLER/PULLEY ASSY.	1
69	040154	PLASTIC CAP	1
70	012137	PUSH NUT	2
71	031163	INCLINE ROD	1
72	008188	LOWER INCLINE BRACKET	1
73	109382	CIRCUIT BREAKER	1
74	031150	JUNCTION BOX	1
75	013428	FRONT ROLLER BOLT	1
76	110066	MOTOR	1
77	020042	MOTOR PULLEY	1
78	025050	V-BELT	1
79	033131	SENSOR WIRE	1
80	040142	SAFETY COVER	1
81	019199	RUBBER MOTOR PAD	1
82	021014	FLYWHEEL	1
83	014079	UPRIGHT WASHER	1
84	013284	CONTROLLER SCREW	2
85	008187	POWER BOARD BRACKET	1
86	016029	CABLE TIE	4
87	016017	ADHESIVE TAB	4
88	033066	MAGNET	1
#	046136	OWNERS MANUAL	1
.	.	LITERATURE PACKET	1
.	.	046136 OWNERS MANUAL	1
.	.	045020 ALLEN WRENCH	1
.	.	016028 WRENCH CLIP	1
.	.	112589 PULSE EARCLIP	1
.	.	054013 CLOTHES CLIP	1
.	.	031164 SAFETY CARD	1