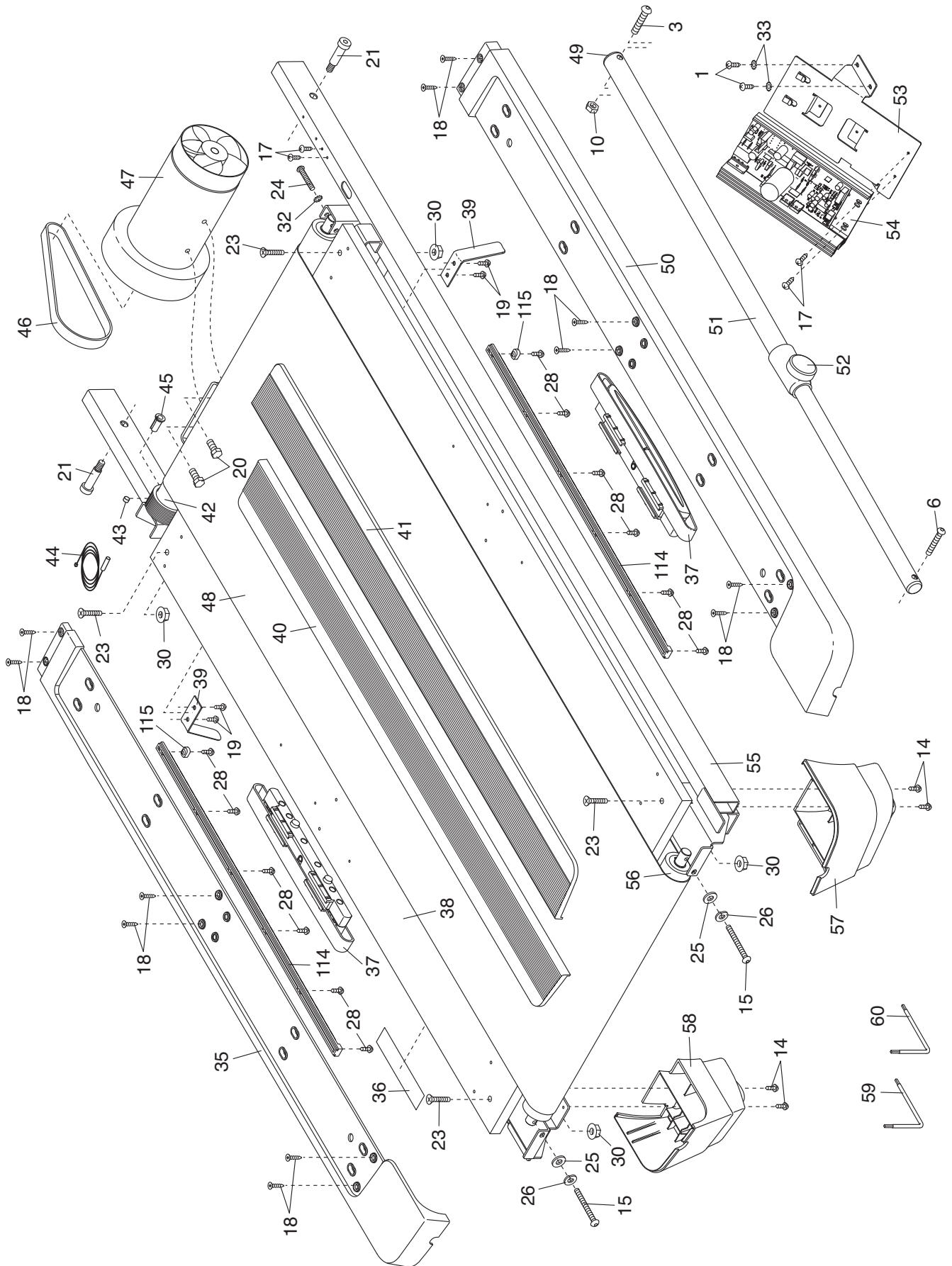


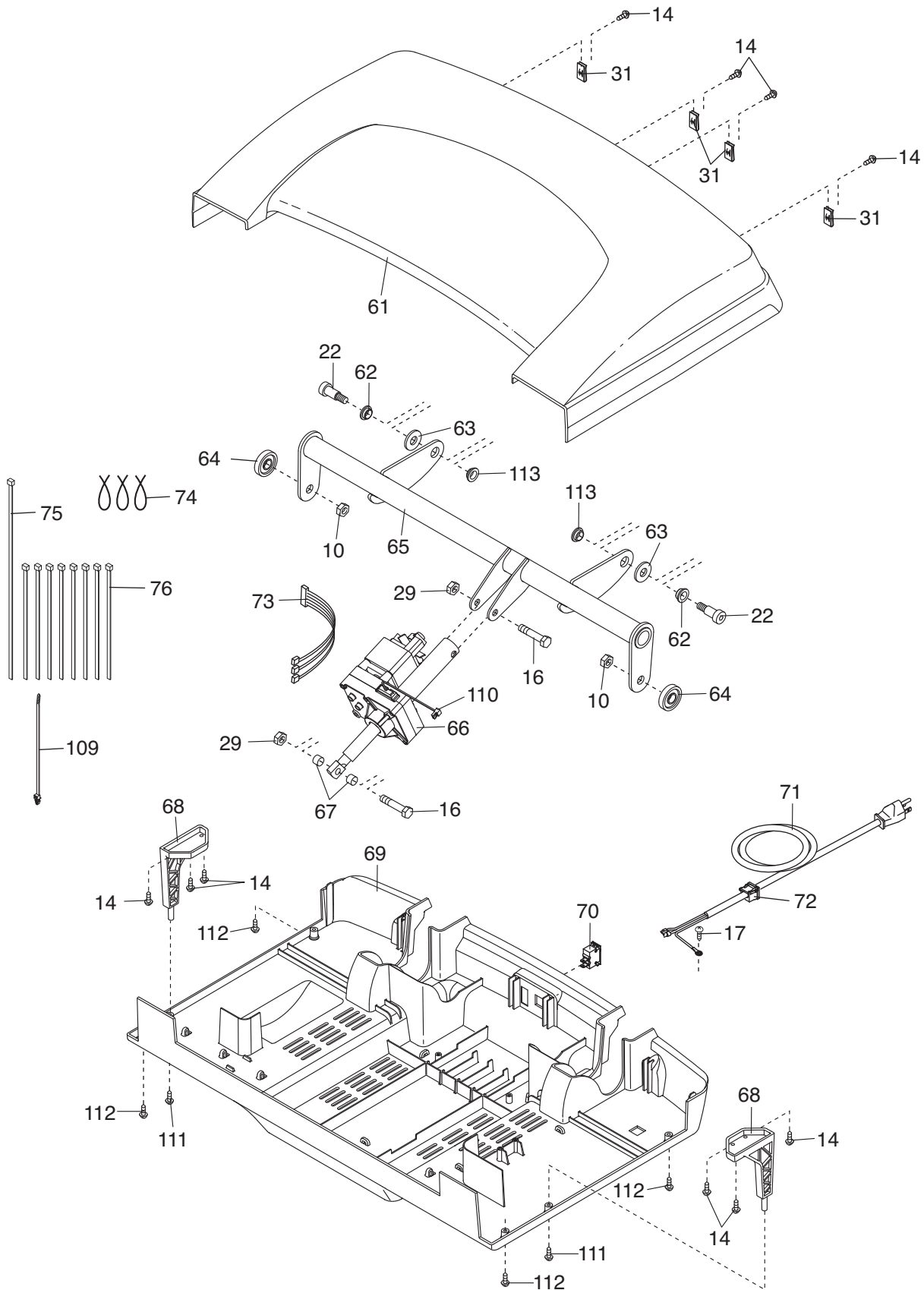
EXPLODED DRAWING A—Model No. PFTL01099.0

R1009A



EXPLODED DRAWING B—Model No. PFTL01099.0

R1009A



EXPLODED DRAWING D—Model No. PFTL01099.0

R1009A

