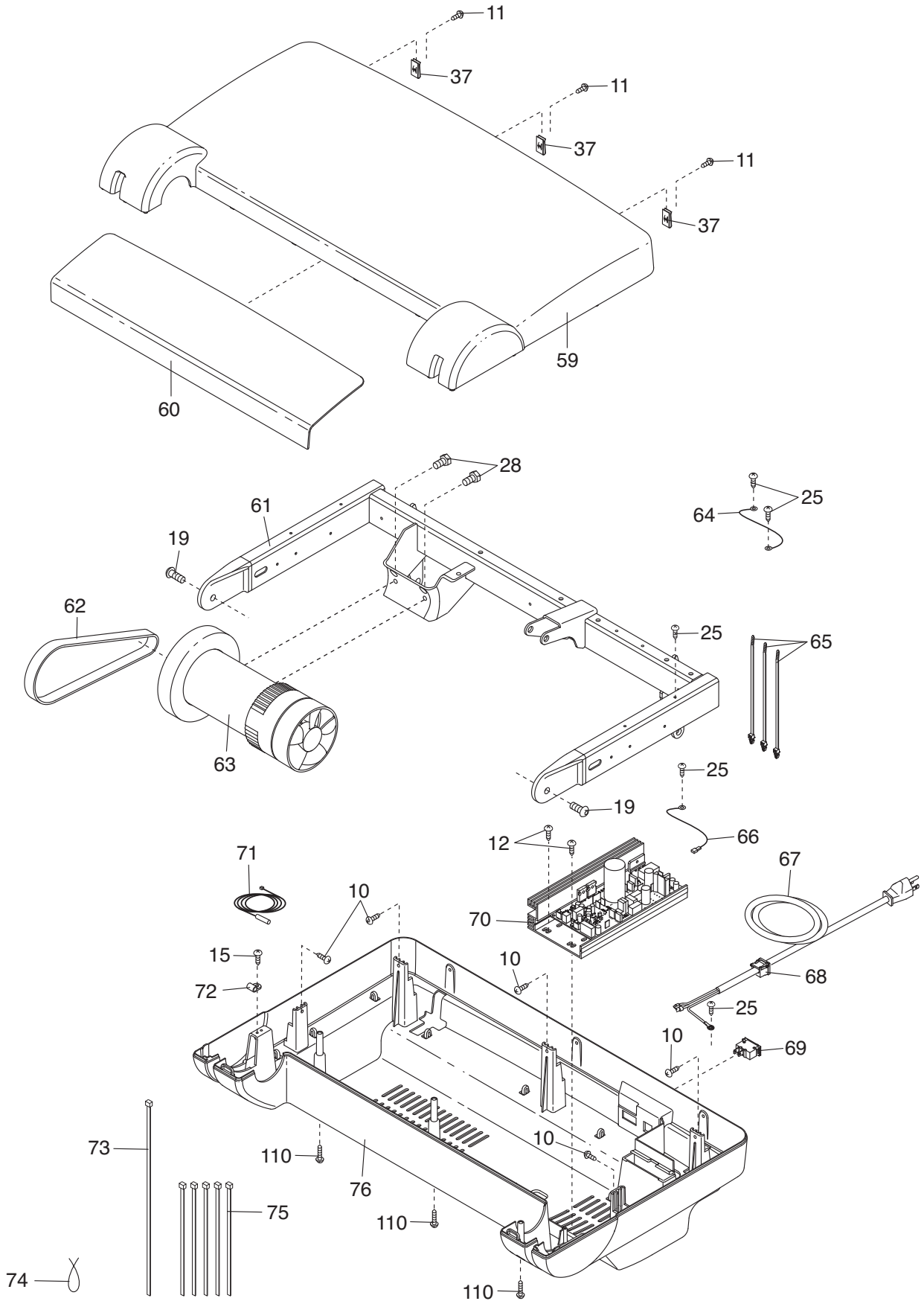




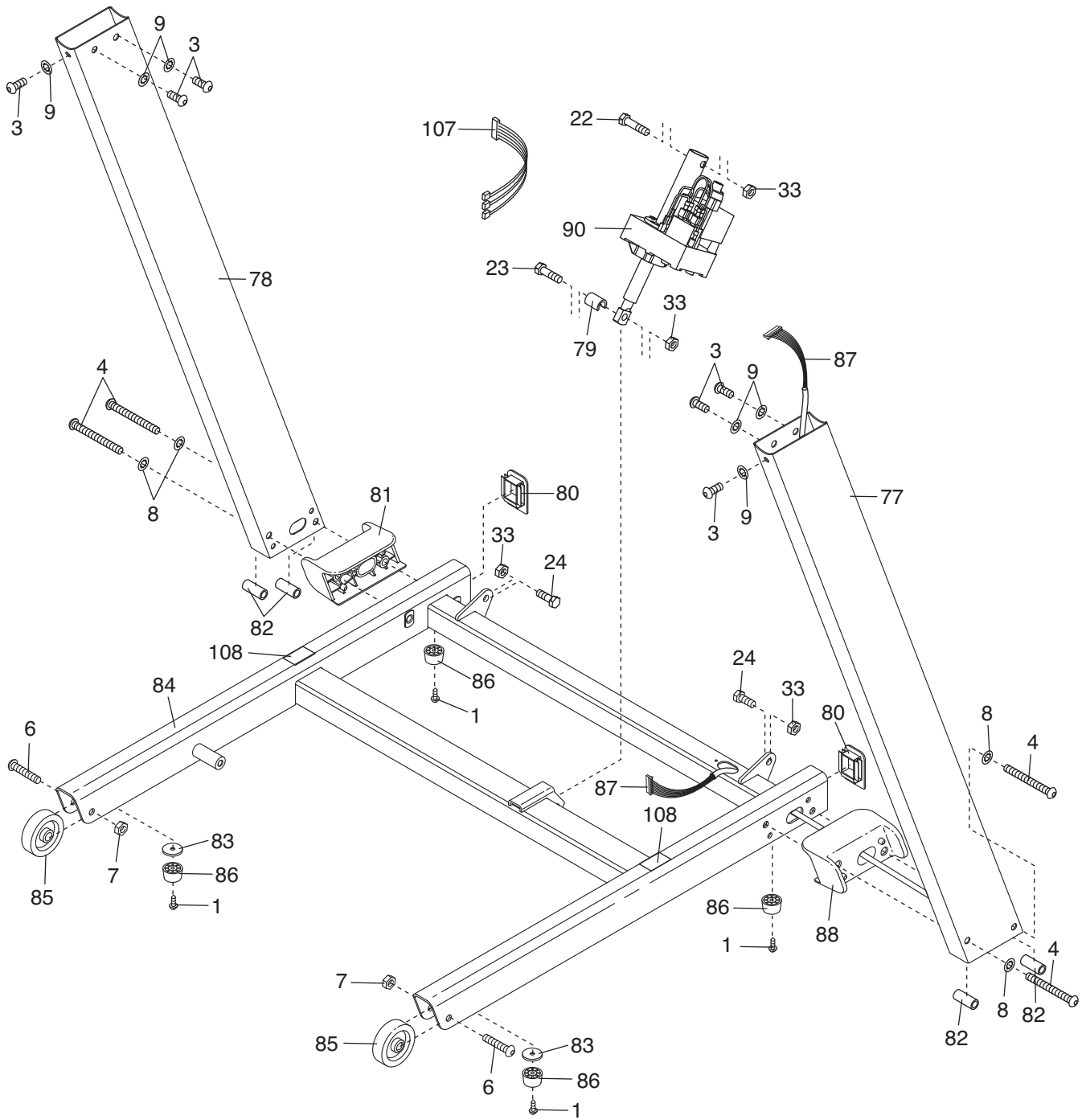
# EXPLODED DRAWING B—Model No. PFTL06009.0

R0709A



# EXPLODED DRAWING C—Model No. PFTL06009.0

R0709A



# EXPLODED DRAWING D—Model No. PFTL06009.0

R0709A

