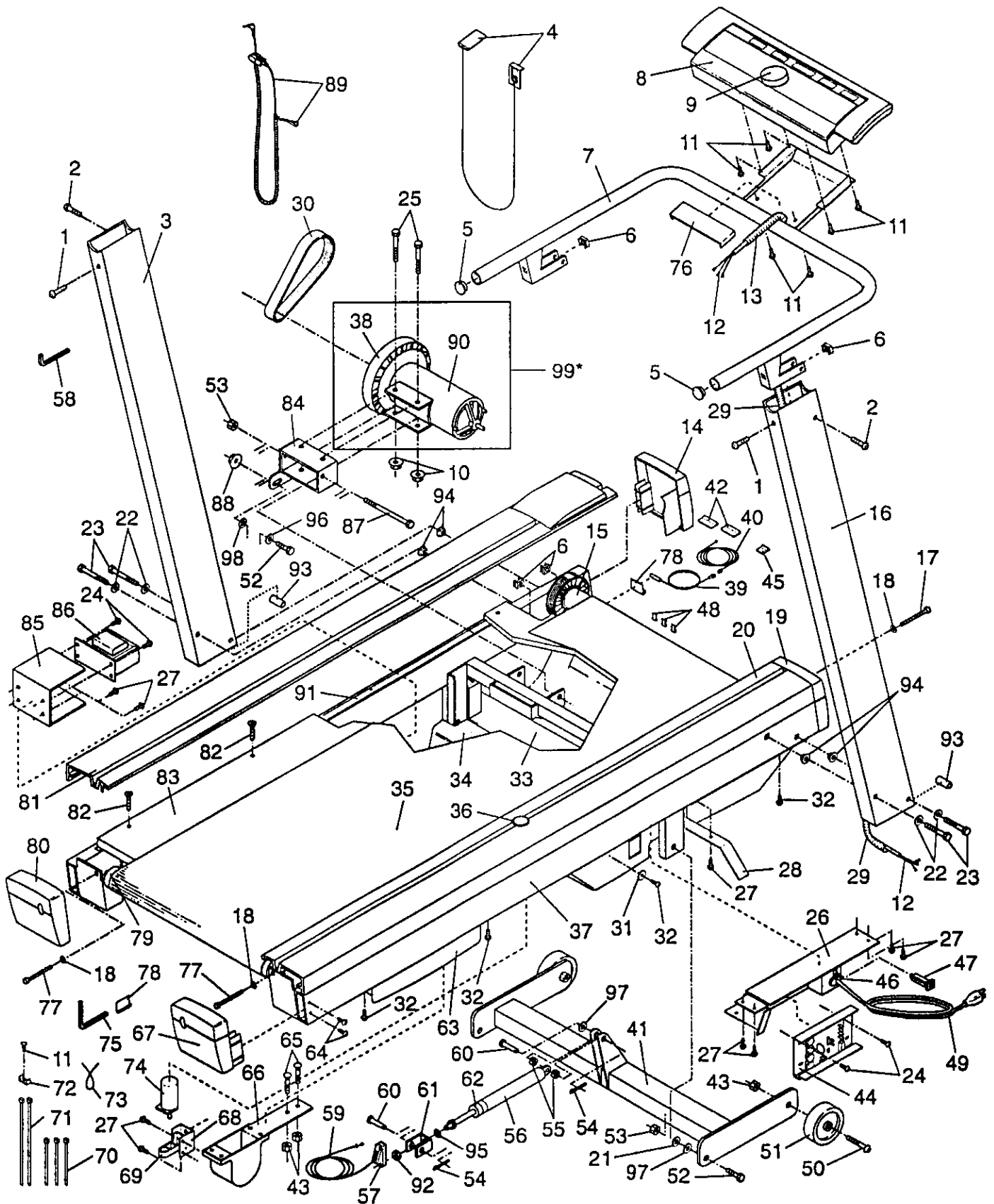


# EXPLODED DRAWING—Model No. PFTL08040

Rev. 10/95



MODEL NUMBER: PFTL0804  
VERSION: 00  
PRODUCT NAME: PROFORM 365  
PRODUCT DESC:

MODEL/PART BOOK LISTING

PAGE 1  
INI023P1  
RUN DATE: 3/07/97  
RUN TIME: 20:45:38

KEY NUMBER	PART NUMBER	DESCRIPTION	QUANTITY
	.	PROFORM 365 TREADMILL	0
1	119994	3/8" X 1.25" BOLT	2
2	013438	3/8" X 1" BOLT	2
3	120328	LEFT UPRIGHT	1
4	119038	SAFETY KEY/CLIP	1
5	114005	HANDRAIL CAP	2
6	111869	CAGE NUT	6
7	120345	HANDRAIL	1
8	123046	CONSOLE	1
9	110000	SPEED CONTROL KNOB	1
10	105477	MOTOR NUT	2
11	120866	CONSOLE/TIE BLOCK SCREW	8
12	118921	WIRE HARNESS	1
13	113203	6" CABLE LOOM	1
14	119292	FRONT LEFT ENDCAP	1
15	120445	FRONT ROLLER/PULLEY	1
16	120330	RIGHT UPRIGHT	1
17	112609	FRONT ROLLER ADJUST BOLT	1
18	014127	ROLLER ADJUSTMENT WASHER	3
19	119291	FRONT RIGHT ENDCAP	1
20	123048	RT FOOT RAIL W/FASTENERS	1
21	124009	INCLINE LEG WASHER	5
22	014132	UPRIGHT WASHER	4
23	112001	3/8" X 3" BOLT	4
24	120866	SMALL SCREW	7
25	123385	MOTOR BOLT	2
26	117941	ELECTRONICS BRACKET	1
27	108080	SCREW	12
28	118148	BELT GUIDE	1
29	103643	12" CABLE LOOM	2
30	118017	MOTOR BELT	1
31	104188	FLAT WASHER	2
32	013162	SAFETY COVER SCREW	19
33	118923	FRONT SAFETY COVER	1
34	123050	REAR SAFETY COVER	1
35	130475	WALKING BELT W/FASTENERS	1
36	119935	INCLINE KNOB SLEEVE	1
37	NSP	FRAME	1
38	108277	PULLEY/FLYWHEEL/FAN	1
39	118153	REED SWITCH/SENSOR WIRE	1
40	118195	REED SWTCH EXTENSION WIRE	1
41	118650	INCLINE LEG	1
42	120884	LONG WIRE CLIP	2
43	012056	WHEEL/CUSHION FOOT NUT	6
44	129854	CONTROLLER	1
45	120885	SHORT WIRE CLIP	1
46	124695	GROMMET	1
47	109382	CIRCUIT BREAKER	1
48	054023	HORSESHOE WIRE CLIP	3
49	124669	POWER CORD	1
50	117806	FRONT WHEEL BOLT	2
51	052014	FRONT WHEEL	2
52	013547	INCLINE LEG/MTR LOCK BOLT	3
53	012149	LOCK NUT	3

MODEL NUMBER: PFTL0804  
VERSION: 00  
PRODUCT NAME: PROFORM 365  
PRODUCT DESC:

MODEL/PART BOOK LISTING

PAGE 2  
INI023P1

RUN DATE: 3/07/97  
RUN TIME: 20:45:38

KEY NUMBER	PART NUMBER	DESCRIPTION	QUANTITY
54	106334	COTTER PIN	2
55	114270	SHOCK SPACER	2
56	122002	INCLINE SHOCK	1
57	118202	SHOCK RELEASE	1
58	045017	7/32" ALLEN WRENCH	1
59	119919	INCLINE CABLE	1
60	112669	SHOCK PIN	2
61	118569	SHOCK BRACKET	1
62	116768	SHOCK CUSHION	1
63	119999	CUSHION FOOT COVER	2
64	013028	ENDCAP SCREW	4
65	110926	CUSHION FOOT BOLT	4
66	115046	CUSHION FOOT	2
67	119234	RIGHT REAR ENDCAP	1
68	122282	INCLINE KNOB BRACKET	1
69	116435	INCLINE LEVER	1
70	016029	4" CABLE TIE	4
71	016057	8" CABLE TIE	4
72	116927	TIE BLOCK	2
73	116926	CABLE TIE	1
74	116434	FOOT INCLINE KNOB	1
75	126040	3/16" ALLEN WRENCH	1
76	119418	WIRE COVER	1
77	105444	REAR ROLLER ADJUST BOLT	2
78	016028	WRENCH CLIP	2
79	109788	REAR ROLLER	1
80	119233	LEFT REAR ENDCAP	1
81	123049	LT FOOT RAIL W/FASTENERS	1
82	119779	PLATFORM SCREW	8
83	120710	WALKING BOARD W/FASTENERS	1
84	120434	MOTOR MOUNTING BRACKET	1
85	120951	CHOKE BRACKET	1
86	031238	CHOKE	1
87	107503	MOTOR SWIVEL BOLT	1
88	120867	MOTOR TENSION NUT	1
89	119946	PULSE/CLOTHES CLIP	1
90	120432	MOTOR	1
91	120780	PLATFORM SHIM	2
92	122343	JAM NUT	1
93	122332	UPRIGHT SPACER	2
94	123303	UPRIGHT BUSHING	4
95	104345	SHOCK STAR WASHER	1
96	122812	MOTOR TENSION WASHER	1
97	124009	NYLON PIVOT WASHER	2
98	014117	MOTOR TENSION STAR WASHER	1
99	120433	MOTOR/PULLEY/FLYWHL/FAN	1
.	.	NON-ILLUSTRATED PARTS	0
#	129416	POTENTIOMETER	1
#	121487	LEFT FRAME DECAL	1
#	120669	RIGHT FRAME DECAL	1
#	120670	WIRE DIAGRAM DECAL	1
#	127860	FASTENERS	12
#	114011	4" BLACK WIRE, M/F	2
#	124759	8" RED WIRE, M/F	1

MODEL NUMBER: PFTL0804  
VERSION: 00  
PRODUCT NAME: PROFORM 365  
PRODUCT DESC:

MODEL/PART BOOK LISTING

PAGE 3  
INI023P1

RUN DATE: 3/07/97  
RUN TIME: 20:45:38

KEY NUMBER	PART NUMBER	DESCRIPTION	QUANTITY
#	118204	8" BLUE WIRE, M/F	4
#	120671	OWNER'S MANUAL	1
#	120672	LITERATURE PACKET	1
.	.	120671 OWNER'S MANUAL	1
.	.	119946 PULSE/CLOTHES CLIP	1
.	.	120069 HARDWARE KIT	1
.	.	016028 CLAMP	1
.	.	126040 3/16" WRENCH	1
.	.	045017 7/32" WRENCH	1
.	.	014132 3/8" FLAT WASHER	2
.	.	123303 UPRIGHT BUSHING	2
.	.	112001 3/8"X3" SCREW	2
.	.	119994 3/8"X1.25" SCREW	2
.	.	** - THESE ARE ESTIMATED COSTS!!!	0
.	.		0