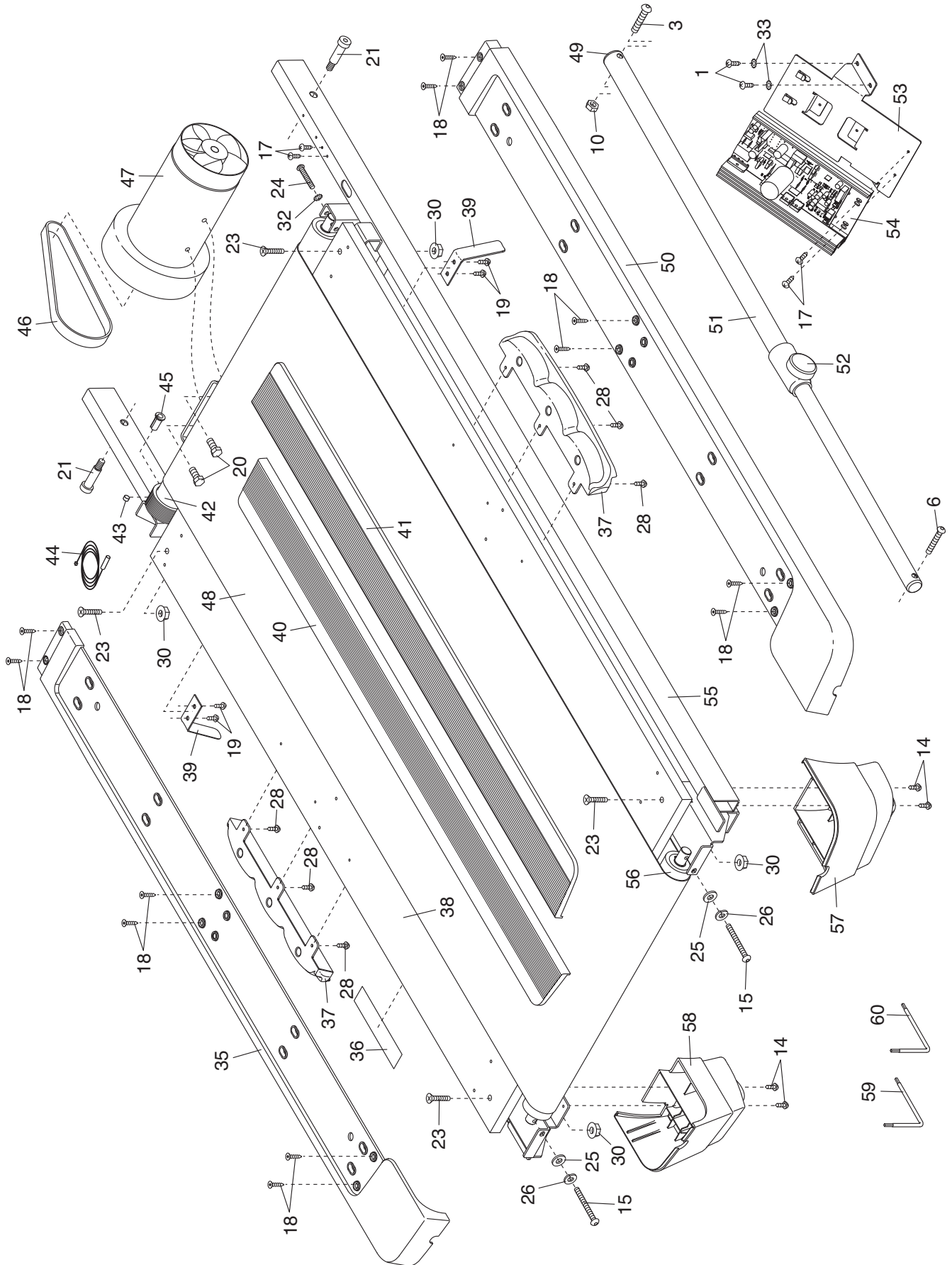


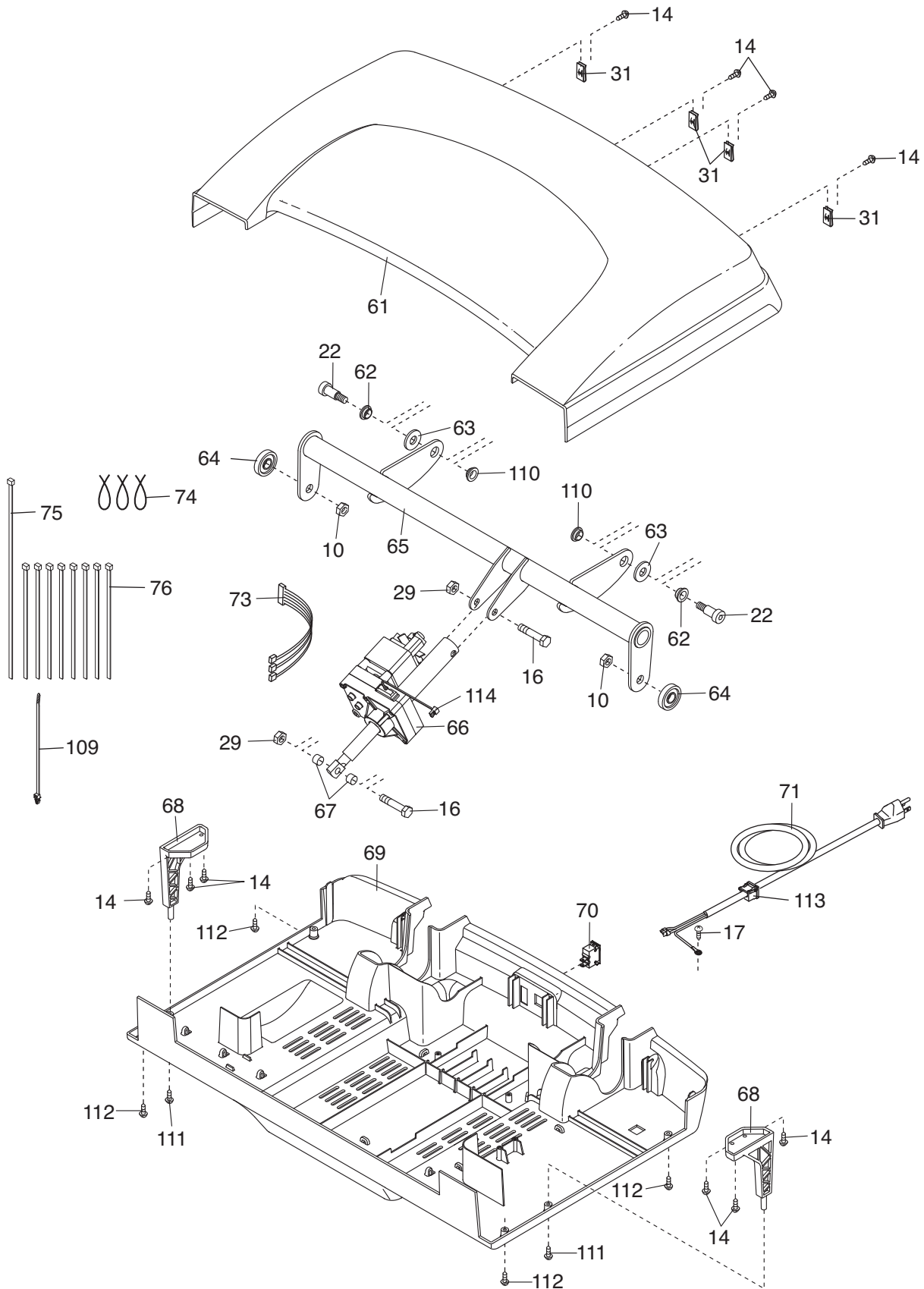
EXPLODED DRAWING A—Model No. PFTL08909.0

R0210A



EXPLODED DRAWING B—Model No. PFTL08909.0

R0210A



EXPLODED DRAWING C—Model No. PFTL08909.0

R0210A

