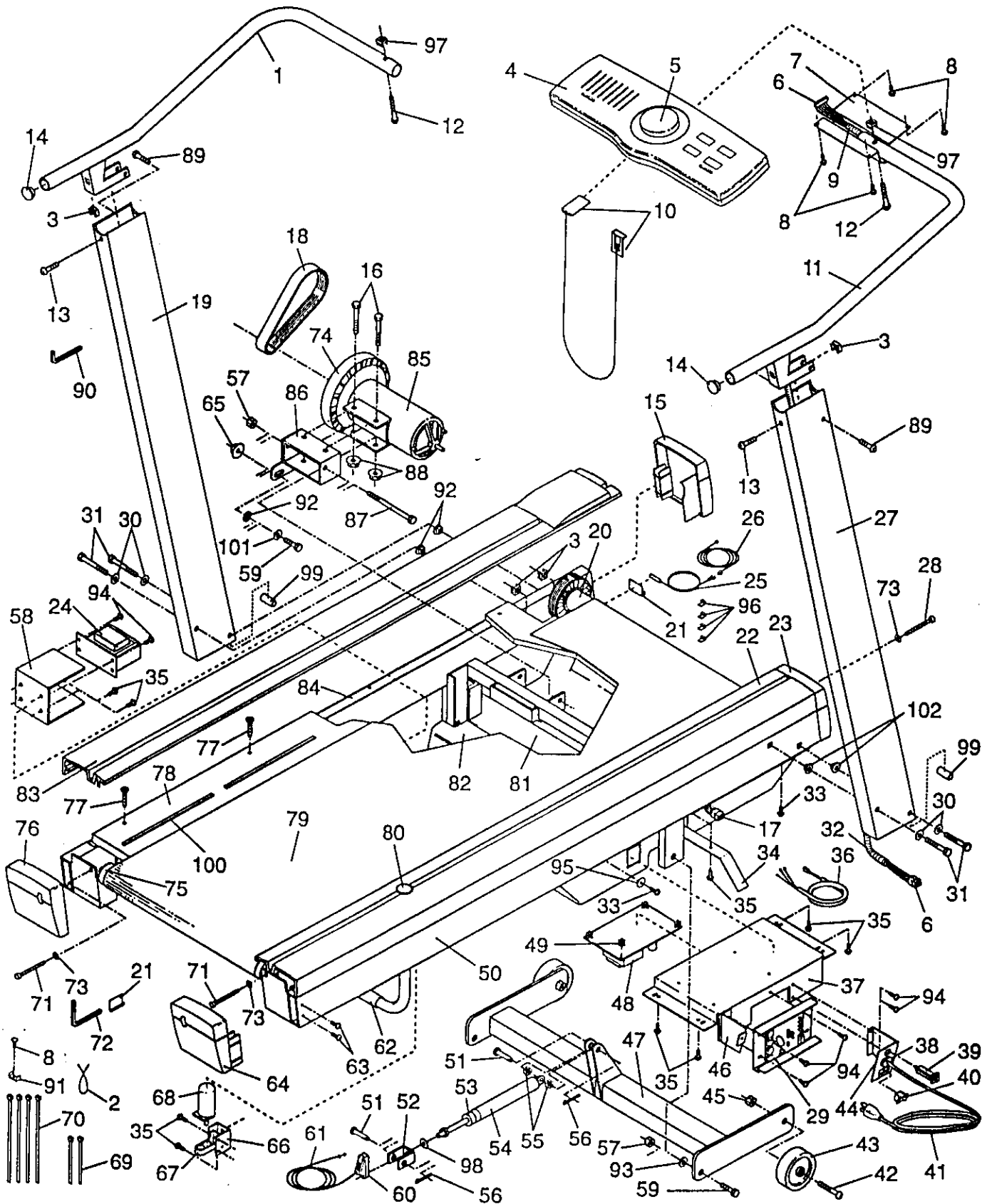


# EXPLODED DRAWING—Model No. PFTL09050

Rev. 4/95



MODEL NUMBER: PFTL0905  
VERSION: 00  
PRODUCT NAME: PROFORM 375  
PRODUCT DESC:

MODEL/PART BOOK LISTING

PAGE 1  
INI023P1  
RUN DATE: 3/07/97  
RUN TIME: 20:46:01

KEY NUMBER	PART NUMBER	DESCRIPTION	QUANTITY
.	.	PROFORM 375, TREADMILL	0
1	124239	LEFT HANDRAIL	1
2	116926	CABLE TIE	2
3	111869	CAGE NUT	6
4	120718	CONSOLE W/RI	1
.	.	118318 CONSOLE	1
.	.	120717 REPLACEMENT INSTR.	1
5	110000	SPEED CONTROL KNOB	1
6	120065	LONG WIRE HARNESS, 100"	1
7	124240	CONSOLE PLATE	1
8	013141	CONSOLE SCREW	7
9	113203	6" CABLE LOOM	2
10	119038	SAFETY KEY/CLIP	1
11	124238	RIGHT HANDRAIL	1
12	013438	CONSOLE BOLT	2
13	122137	3/8" X 1/2" BOLT	2
14	114005	HANDRAIL CAP	2
15	119292	FRONT LEFT ENDCAP	1
16	123385	MOTOR BOLT	2
17	120066	SHORT WIRE HARNESS, 20"	1
18	118017	BELT	1
19	124237	LEFT UPRIGHT	1
20	120445	FRONT ROLLER/PULLEY ASSY	1
.	.	121657 FR RLR/PULY ASSY	1
.	.	120444 REPLACEMENT INSTR.	1
21	016028	WRENCH CLIP	2
22	123048	RIGHT FOOT RAIL ASSY	1
.	.	120516 RIGHT FOOT RAIL	1
.	.	127860 NAIL	6
.	.	107103 REPLACEMENT INSTR.	1
23	119291	FRONT RIGHT ENDCAP	1
24	109365	CHOKE	1
25	118153	REED SWITCH/SENSOR WIRE	1
26	120168	EXTENSION WIRE	1
27	124236	RIGHT UPRIGHT	1
28	112609	FRONT ROLLER ADJUST BOLT	1
29	129854	CONTROLLER	1
30	014132	UPRIGHT WASHER	4
31	112001	3/8" X 3" BOLT	4
32	113204	12" CABLE LOOM	1
33	013162	SAFETY COVER SCREW	15
34	118148	BELT GUIDE	1
35	120630	SCREW	20
36	105989	CONTROLLER WIRE	1
37	123308	ELECTRONICS BRACKET	1
38	019084	GROMMET	1
39	109382	CIRCUIT BREAKER	1
40	119163	ON/OFF SWITCH	1
41	031229	POWER CORD	1
42	117806	WHEEL BOLT	2
43	052014	FRONT WHEEL	2
44	119026	POWER CORD BRACKET	1
45	012056	WHEEL NUT	2
46	119416	SAFETY COVER BRACKET	1

MODEL NUMBER: PFTL0905  
 VERSION: 00  
 PRODUCT NAME: PROFORM 375  
 PRODUCT DESC:

MODEL/PART BOOK LISTING

PAGE 2  
 INI023P1  
 RUN DATE: 3/07/97  
 RUN TIME: 20:46:01

KEY NUMBER	PART NUMBER	DESCRIPTION	QUANTITY
47	118650	INCLINE LEG	1
48	118052	POWER BOARD	1
49	125819	PLASTIC STAND-OFF	4
50	NSP	FRAME	1
51	112669	SHOCK PIN	2
52	118569	SHOCK BRACKET	1
53	122403	SHOCK CUSHION	1
54	122002	INCLINE SHOCK W/RI	1
.	.	120816 INCLINE SHOCK	1
.	.	122001 REPLACEMENT INSTR.	1
55	114270	SHOCK SPACER	2
56	106334	COTTER PIN	2
57	012149	LEG/MOTOR PIVOT NUT	3
58	120909	CHOKE BRACKET	1
59	013547	LEG/MOTOR TENSION BOLT	3
60	118202	SHOCK RELEASE	1
61	119919	INCLINE CABLE	1
62	110407	REAR LEG PAD	1
63	013028	REAR ENDCAP SCREW	4
64	119234	RIGHT REAR ENDCAP	1
65	120867	LOCK NUT	1
66	122282	INCLINE KNOB BRACKET	1
67	116435	INCLINE LEVER	1
68	116434	FOOT INCLINE KNOB	1
69	016029	4" CABLE TIE	2
70	016057	8" CABLE TIE	4
71	105444	REAR ROLLER ADJUST BOLT	2
72	126040	3/16" ALLEN WRENCH	1
73	014127	ROLLER ADJUST WASHER	3
74	113278	PULLEY/FLYWHEEL/FAN	1
75	109788	REAR ROLLER W/RI	1
.	.	105264 REAR ROLLER	1
.	.	103847 REPLACEMENT INSTR.	1
76	119233	LEFT REAR ENDCAP	1
77	119779	PLATFORM SCREW	8
78	124748	WALKING PLATFORM ASSY *	1
.	.	120026 WALKING PLATFORM	1
.	.	124370 REPLACEMENT INSTR.	1
.	.	122129 SHIM	6
.	.	127860 NAIL	18
79	130475	WALKING BELT W/FASTENERS	1
80	119935	INCLINE KNOB SLEEVE	1
81	118923	FRONT SAFETY COVER	1
82	120802	REAR SAFETY COVER W/DECAL	1
.	.	121176 REAR SAFETY COVER	1
.	.	120061 WIRE DIAGRAM DECAL	1
83	123049	LEFT FOOT RAIL ASSEMBLY	1
.	.	120515 LEFT FOOT RAIL	1
.	.	119443 PULLEY COVER	1
.	.	107103 REPLACEMENT INSTR.	1
.	.	013516 SCREW	4
.	.	127860 NAIL	6
84	120780	DECK SHIM	2
85	120713	MOTOR W/RI	1

MODEL NUMBER: PFTL0905  
 VERSION: 00  
 PRODUCT NAME: PROFORM 375  
 PRODUCT DESC:

MODEL/PART BOOK LISTING

RUN DATE: 3/07/97

RUN TIME: 20:46:01

KEY NUMBER	PART NUMBER	DESCRIPTION	QUANTITY
.	.	124184 MOTOR	1
.	.	120712 REPLACEMENT INSTR.	1
85A	120714	MOTOR/FLYWHEEL/FAN/PULLEY	1
.	.	124184 MOTOR	1
.	.	113278 FLYWHEEL/FAN/PULLY	1
.	.	120712 REPLACEMENT INSTR.	1
86	120785	MOTOR MOUNT BRACKET W/RI	1
.	.	121588 MOTOR MOUNT BRACKT	1
.	.	120712 REPLACEMENT INSTR.	1
87	107503	MOTOR SWIVEL BOLT	1
88	105477	MOTOR NUT	1
89	013438	HANDRAIL BOLT	2
90	045017	7/32" ALLEN WRENCH	1
91	116927	TIE HOLDER	1
92	014117	STAR WASHER	1
93	124009	NYLON WASHER	2
94	120866	SMALL SCREW	5
95	104188	FLAT WASHER	2
96	054023	WIRE CLIP	4
97	111430	HANDRAIL CAGE NUT	2
98	104345	SHOCK STAR WASHER	1
99	122332	UPRIGHT SPACER	2
100	122129	FOOT RAIL SHIM	6
101	122812	MOTOR TENSION WASHER	1
102	123303	UPRIGHT BUSHING	4
.	.	NON-ILLUSTRATED PARTS	0
#	131090	REED SWITCH WIRE CLAMP	1
#	102246	8" WHITE WIRE,2F	1
#	101951	8" BLACK WIRE,2 FEMALE	1
#	114011	4" BLACK WIRE,MALE/FEMALE	1
#	118204	8" BLUE WIRE,MALE/FEMALE	1
#	112083	8" BLUE WIRE,2 FEMALE	1
#	118201	8" RED WIRE,MALE/FEMALE	1
#	107771	8" WHITE WIRE,MALE/FEMALE	1
#	109407	4" BLACK WIRE,2 FEMALE	1
#	129737	SLIDE POT KNOB	8
#	115872	STRAIN RELIEF	0
#	120061	WIRE DIAGRAM DECAL	1
#	124241	FRAME DECAL	1
#	124242	OWNER'S MANUAL	1
#	124243	LITERATURE PACKET	1
.	.	124242 OWNER'S MANUAL	1
.	.	070307 SILICONE	1
.	.	123303 UPRIGHT BUSHING	2
.	.	120069 HARDWARE KIT	1
.	.	016028 WRENCH CLIP	1
.	.	045017 7/32" WRENCH	1
.	.	126040 3/16" WRENCH	1
.	.	014132 3/8" FLAT WASHER	2
.	.	112001 3/8" SCREW	2
.	.	119994 3/8" X 1.25"SCREW	2
.	.	** - THESE ARE ESTIMATED	0
.	.	COSTS!!!	0