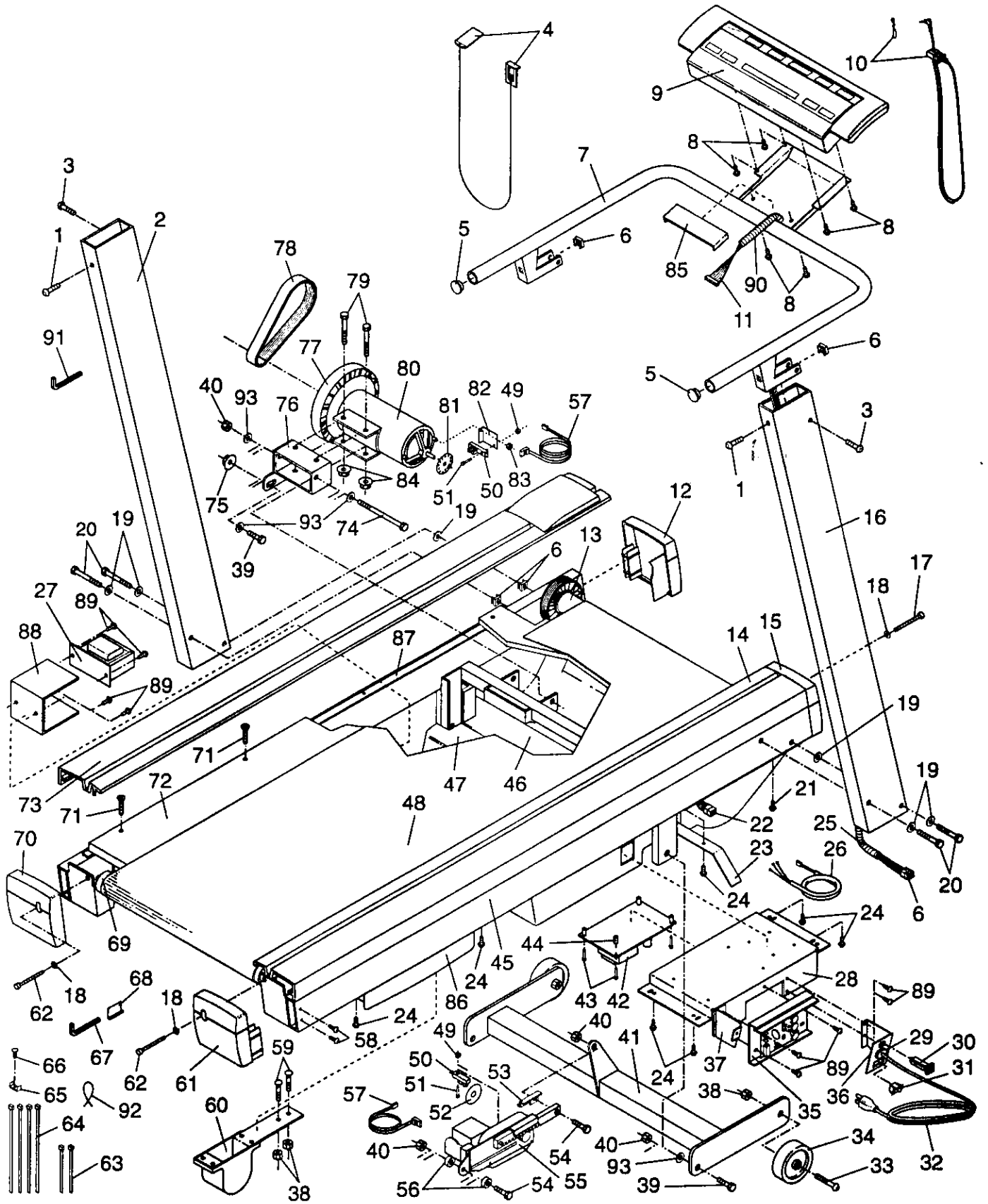


# EXPLODED DRAWING—Model No. PFTL10040

Rev. 10/94



MODEL NUMBER: PFTL1004  
 VERSION: 00  
 PRODUCT NAME: PROFORM 10.0ERS  
 PRODUCT DESC:

MODEL/PART BOOK LISTING

PAGE 1  
 INI023P1  
 RUN DATE: 3/07/97  
 RUN TIME: 20:46:13

| KEY NUMBER | PART NUMBER | DESCRIPTION               | QUANTITY |
|------------|-------------|---------------------------|----------|
| .          | .           | **SEND EUROPEAN UPDATE**  | 0        |
| .          | .           | PROFORM 10.0 ERS TL       | 0        |
| 1          | 119994      | HANDRAIL LOCK BOLT        | 2        |
| 2          | 120328      | LEFT UPRIGHT              | 1        |
| 3          | 013438      | 3/8" X 1" BOLT            | 2        |
| 4          | 119038      | SAFETY KEY/CLIP           | 1        |
| 5          | 114005      | HANDRAIL CAP              | 2        |
| 6          | 111869      | CAGE NUT                  | 6        |
| 7          | 120345      | HANDRAIL                  | 1        |
| 8          | 013141      | CONSOLE SCREW             | 6        |
| 9          | 122613      | CONSOLE W/RI *            | 1        |
| .          | .           | 120441 CONSOLE            | 1        |
| .          | .           | 122614 REPLACEMENT INST   | 1        |
| 10         | 119946      | PULSE/CLOTHES CLIP *      | 1        |
| 11         | 121812      | HANDRAIL WIRE HARNESS     | 1        |
| 12         | 119231      | FRONT LEFT ENDCAP         | 1        |
| 13         | 122612      | FRONT ROLLER/PULLEY ASSY* | 1        |
| .          | .           | 120551 RLR/PULY ASSEMBLY  | 1        |
| .          | .           | 120444 REPLACEMENT INSTR. | 1        |
| 14         | 122620      | RIGHT FOOT RAIL ASSY      | 1        |
| .          | .           | 119882 RIGHT FOOT RAIL    | 1        |
| .          | .           | 115048 REPLACEMENT INST   | 1        |
| .          | .           | 127860 NAIL               | 6        |
| 15         | 119232      | FRONT RIGHT ENDCAP        | 1        |
| 16         | 120330      | RIGHT UPRIGHT             | 1        |
| 17         | 112609      | FRONT ROLLER ADJUST BOLT* | 1        |
| 18         | 014127      | ROLLER ADJUST WASHER      | 3        |
| 19         | 014132      | FLAT WASHER               | 6        |
| 20         | 112001      | 3/8" X 3" BOLT            | 4        |
| 21         | 013162      | SAFETY COVER SCREW        | 15       |
| 22         | 119769      | 20" WIRE HARNESS          | 1        |
| 23         | 118148      | BELT GUIDE                | 1        |
| 24         | 108080      | SCREW                     | 10       |
| 25         | 113204      | 12" CABLE LOOM            | 2        |
| 26         | 105989      | 14"POWER BOARD-CNTRL WIRE | 1        |
| 27         | 109365      | CHOKE                     | 1        |
| 28         | 123308      | ELECTRONICS BRACKET       | 1        |
| 29         | 019084      | GROMMET                   | 1        |
| 30         | 109382      | CIRCUIT BREAKER           | 1        |
| 31         | 119163      | ON/OFF SWITCH             | 1        |
| 32         | 031229      | POWER CORD                | 1        |
| 33         | 117806      | FRONT WHEEL BOLT          | 2        |
| 34         | 052014      | FRONT WHEEL               | 2        |
| 35         | 136255      | CONTROLLER W/RI           | 1        |
| 36         | 119026      | POWER CORD BRACKET        | 1        |
| 37         | 119416      | SAFETY COVER BRACKET      | 1        |
| 38         | 012056      | WHEEL/CUSHION FOOT NUT    | 6        |
| 39         | 013547      | INCLN LEG/MTR TNSION BOLT | 3        |
| 40         | 012149      | INCLN LEG/MTR TNSION NUT  | 5        |
| 41         | 116677      | INCLINE LEG               | 1        |
| 42         | 120729      | POWER BOARD W/RI          | 1        |
| .          | .           | 117860 POWER BOARD        | 1        |
| .          | .           | 125819 LOCKPIN STANDOFF   | 4        |
| .          | .           | 120728 REPLACEMENT INST   | 1        |

MODEL NUMBER: PFTL1004  
 VERSION: 00  
 PRODUCT NAME: PROFORM 10.0ERS  
 PRODUCT DESC:

MODEL/PART BOOK LISTING

PAGE 2  
 INI023P1  
 RUN DATE: 3/07/97  
 RUN TIME: 20:46:13

| KEY NUMBER | PART NUMBER | DESCRIPTION               | QUANTITY |
|------------|-------------|---------------------------|----------|
| 43         | 013510      | POWER BOARD SCREW         | 4        |
| 44         | 119502      | POWER BOARD SPACER        | 4        |
| 45         | NSP         | FRAME                     | 1        |
| 46         | 118923      | FRONT SAFETY COVER        | 1        |
| 47         | 122611      | BACK SAFETY COVER W/DECAL | 1        |
| .          | .           | 121176 SAFETY COVER       | 1        |
| .          | .           | 120353 WIRE DIAGRAM DECAL | 1        |
| 48         | 130471      | WALKING BELT ASSEMBLY     | 1        |
| 49         | 012152      | SMALL NUT                 | 2        |
| 50         | 102955      | OPTIC SWITCH              | 2        |
| 51         | 102959      | SMALL BOLT                | 2        |
| 52         | 109370      | INCLINE OPTIC DISK        | 1        |
| 53         | 116892      | INCLINE MOTOR BRACKET     | 1        |
| 54         | 119375      | INCLINE MOTOR BOLT        | 2        |
| 55         | 115523      | INCLINE MOTOR             | 1        |
| 56         | 114270      | INCLINE MOTOR SPACER      | 2        |
| 57         | 102633      | OPTIC SWITCH WIRE HARNESS | 0        |
| 58         | 013322      | ENDCAP SCREW              | 4        |
| 59         | 110926      | CUSHION FOOT BOLT         | 4        |
| 60         | 115032      | CUSHION FOOT ASSY         | 2        |
| .          | .           | 109719 SPRING             | 1        |
| .          | .           | 113986 CUSHION FOOT       | 1        |
| .          | .           | 112738 FASTENER           | 4        |
| .          | .           | 129743 REPLACEMENT INSTR  | 1        |
| 61         | 119234      | RIGHT REAR ENDCAP         | 1        |
| 62         | 105444      | REAR ROLLER ADJUST BOLT   | 2        |
| 63         | 016029      | 4" CABLE TIE              | 2        |
| 64         | 016057      | 8" CABLE TIE              | 4        |
| 65         | 116927      | TIE BLOCK                 | 1        |
| 66         | 013450      | TIE BLOCK SCREW           | 1        |
| 67         | 126040      | 3/16" ALLEN WRENCH        | 1        |
| 68         | 016028      | WRENCH CLIP               | 1        |
| 69         | 109788      | REAR ROLLER W/RI          | 1        |
| .          | .           | 105264 REAR ROLLER        | 1        |
| .          | .           | 103847 REPLACEMENT INST   | 1        |
| 70         | 119233      | LEFT REAR ENDCAP          | 1        |
| 71         | 119779      | PLATFORM SCREW            | 8        |
| 72         | 123813      | WALKING PLATFORM ASSY     | 1        |
| .          | .           | 122817 WALKING PLATFORM   | 1        |
| .          | .           | 124370 REPLACEMENT INST   | 1        |
| .          | .           | 122129 SHIM               | 6        |
| .          | .           | 127860 NAIL               | 12       |
| .          | .           | NOTE: THIS ASSEMBLY HAS   | 0        |
| .          | .           | BEEN CHANGED FROM THE     | 0        |
| .          | .           | ORIGINAL WAXED BOARD      | 0        |
| 73         | 122615      | LEFT FOOT RAIL ASSY       | 1        |
| .          | .           | 119881 LEFT FOOT RAIL     | 1        |
| .          | .           | 119443 PULLEY COVER       | 1        |
| .          | .           | 115047 REPLACEMENT INST   | 1        |
| .          | .           | 013516 SCREW              | 4        |
| .          | .           | 127860 NAIL               | 6        |
| 74         | 107503      | MOTOR SWIVEL BOLT         | 1        |
| 75         | 120867      | MOTOR TENSION NUT         | 1        |
| 76         | 122644      | MTR MOUNTING BRACKET W/RI | 1        |

MODEL NUMBER: PFTL1004  
 VERSION: 00  
 PRODUCT NAME: PROFORM 10.0ERS  
 PRODUCT DESC:

MODEL/PART BOOK LISTING

PAGE 3  
 INI023P1  
 RUN DATE: 3/07/97  
 RUN TIME: 20:46:13

| KEY NUMBER | PART NUMBER | DESCRIPTION                    | QUANTITY |
|------------|-------------|--------------------------------|----------|
| .          | .           | 121588 MTR MTG BRACKET         | 1        |
| .          | .           | 120739 REPLACEMENT INST        | 1        |
| 77         | 113278      | PULLEY/FLYWHEEL/FAN            | 1        |
| 78         | 118017      | MOTOR BELT                     | 1        |
| 79         | 123385      | MOTOR BOLT                     | 2        |
| 80         | 120740      | MOTOR W/RI                     | 1        |
| .          | .           | 124184 MOTOR                   | 1        |
| .          | .           | 120739 REPLACEMENT INST        | 1        |
| 81         | 120741      | MTR/PULY/FLWH/FAN ASSY         | 1        |
| 81         | 119070      | SPEED OPTIC DISK               | 1        |
| 82         | 120653      | OPTIC SWITCH BRACKET           | 1        |
| 83         | 122125      | OPTIC SWITCH BRACKET NUT       | 1        |
| 84         | 105477      | MOTOR NUT                      | 2        |
| 85         | 119418      | WIRE COVER                     | 1        |
| 86         | 119281      | CUSHION FOOT COVER             | 2        |
| 87         | 120780      | DECK SHIM                      | 2        |
| 88         | 120909      | CHOKE BRACKET                  | 1        |
| 89         | 120866      | SMALL HEX SCREW                | 9        |
| 90         | 113203      | 6" CABLE LOOM                  | 1        |
| 91         | 045017      | 7/32" ALLEN WRENCH             | 1        |
| 92         | 116926      | CABLE TIE                      | 1        |
| 93         | 014086      | MOTOR/INCLINE WASHER           | 5        |
| .          | .           | NON-ILLUSTRATED PARTS          | 0        |
| #          | 107771      | 8" WHITE WIRE, MALE/FEMALE     | 1        |
| #          | 101897      | 14" WHITE WIRE, 2 FEMALE       | 1        |
| #          | 109407      | 4" BLACK WIRE, 2 FEMALE        | 1        |
| #          | 101951      | 8" BLACK WIRE, 2 FEMALE        | 1        |
| #          | 102634      | 8" GREEN GROUND WIRE           | 1        |
| #          | 118201      | 8" RED WIRE, MALE/FEMALE       | 1        |
| #          | 112083      | 8" BLUE WIRE, 2 FEMALE         | 1        |
| #          | 114011      | 4" BLACK WIRE, MALE/FEMALE     | 1        |
| #          | 115872      | STRAIN RELIEF                  | 1        |
| #          | 121487      | LEFT FRAME DECAL               | 1        |
| #          | 120468      | RIGHT FRAME DECAL              | 1        |
| #          | 120353      | WIRE DIAGRAM DECAL             | 1        |
| #          | 120469      | OWNER'S MANUAL                 | 1        |
| .          | 120470      | LITERATURE PACKET              | 1        |
| .          | .           | 120469 OWNER'S MANUAL          | 1        |
| .          | .           | 119946 PULSE/CLOTHES CLIP      | 1        |
| .          | .           | 120069 HARDWARE KIT            | 1        |
| .          | .           | 016028 WRENCH CLIP             | 1        |
| .          | .           | 126040 ALLEN WRENCH            | 1        |
| .          | .           | 045017 ALLEN WRENCH            | 1        |
| .          | .           | 014132 WASHER                  | 2        |
| .          | .           | 119994 HANDRAIL BOLT           | 2        |
| .          | .           | 112001 3" SDRAIL BOLT          | 2        |
| .          | .           | ** THESE ARE ESTIMATED COSTS!! | 0        |
| .          | .           |                                | 0        |