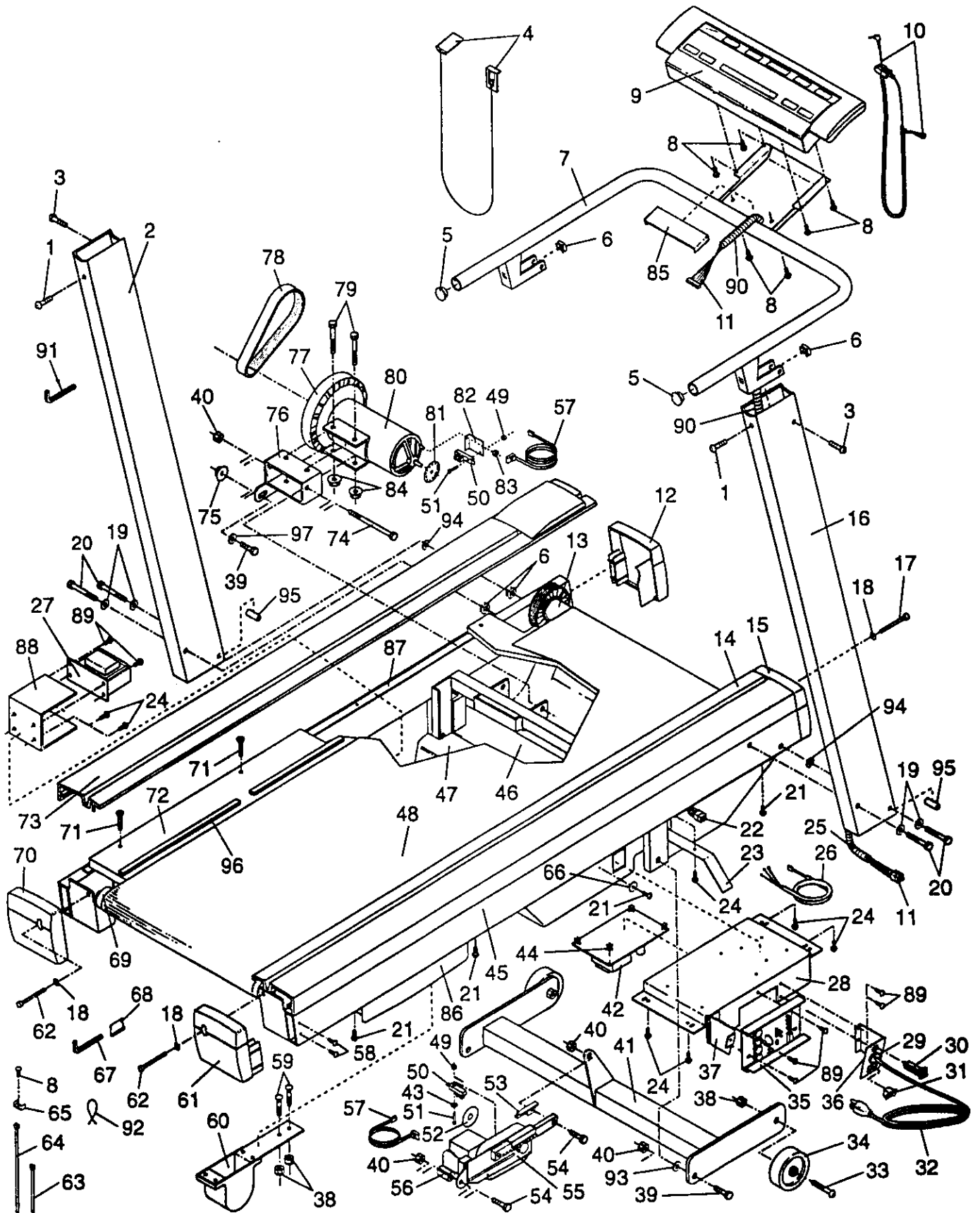


# EXPLODED DRAWING—Model No. PFTL10042

Rev. 1/95



MODEL NUMBER: PFTL1004  
 VERSION: 02  
 PRODUCT NAME: PROFORM 10.0ERS  
 PRODUCT DESC:

MODEL/PART BOOK LISTING

PAGE 1  
 INI023P1  
 RUN DATE: 3/07/97  
 RUN TIME: 20:46:23

KEY NUMBER	PART NUMBER	DESCRIPTION	QUANTITY
.	.	**SEND EUROPEAN UPDATE**	0
.	.	PROFORM 10.0 ERS	0
1	119994	HANDRAIL LOCK BOLT	2
2	120328	LEFT UPRIGHT	1
3	013438	3/8" X 1" BOLT	2
4	119038	SAFETY KEY/CLIP	1
5	114005	HANDRAIL CAP	2
6	111869	CAGE NUT	6
7	120345	HANDRAIL	1
8	013141	CONSOLE SCREW	7
9	122613	CONSOLE W/RI	1
.	.	120441 CONSOLE	1
.	.	122614 REPLACEMENT INSTR.	1
10	119946	PULSE EARCLIP/CLOTHES CLP	1
11	121812	HANDRAIL WIRE HARNESS	1
12	119231	FRONT LEFT ENDCAP	1
13	122612	FRONT ROLLER/PULLEY W/RI	1
.	.	120551 FRONT ROLLER/PULLY	1
.	.	120444 REPLACEMENT INSTR.	1
14	122620	RIGHT FOOT RAIL ASSY	1
.	.	119882 RIGHT FOOT RAIL	1
.	.	115048 REPLACEMENT INSTR.	1
.	.	127860 NAIL	6
15	119232	FRONT RIGHT ENDCAP	1
16	120330	RIGHT UPRIGHT	1
17	112609	FRONT ROLLER ADJUST BOLT	1
18	014127	ROLLER ADJUST WASHER	3
19	014132	FLAT WASHER	4
20	112001	3/8" X 3" BOLT	4
21	013162	SAFETY COVER SCREW	19
22	119769	20" WIRE HARNESS	1
23	118148	BELT GUIDE	1
24	108080	SCREW	9
25	113204	12" CABLE LOOM	2
26	105989	14" PWR BRD-CNTRLLR WIRE	1
27	109365	CHOKE	1
28	123308	ELECTRONICS BRACKET	1
29	019084	GROMMET	1
30	109382	CIRCUIT BREAKER	1
31	119163	ON/OFF SWITCH	1
32	031229	POWER CORD	1
33	117806	FRONT WHEEL BOLT	2
34	052014	FRONT WHEEL	2
35	136255	CONTROLLER W/RI	1
36	119026	POWER CORD BRACKET	1
37	119416	SAFETY COVER BRACKET	1
38	012056	WHEEL/CUSHION FOOT NUT	6
39	013547	INCLINE LEG/MTR TNSN BOLT	3
40	012149	INCLINE LEG/MTR TNSN NUT	5
41	116677	INCLINE LEG	1
42	120729	POWER BOARD W/RI	1
.	.	117860 POWER BOARD	1
.	.	125819 LOCKPIN STANDOFF	4
.	.	120728 REPLACEMENT INSTR.	1

MODEL NUMBER: PFTL1004  
 VERSION: 02  
 PRODUCT NAME: PROFORM 10.0ERS  
 PRODUCT DESC:

MODEL/PART BOOK LISTING

RUN DATE: 3/07/97  
 RUN TIME: 20:46:23

KEY NUMBER	PART NUMBER	DESCRIPTION	QUANTITY
43	014157	SWITCH STAR WASHER	1
44	125819	PLASTIC STAND OFF	4
45	NSP	FRAME	1
46	118923	FRONT SAFETY COVER	1
47	123512	BACK SAFETY COVER W/DECAL	1
.	.	121873 SAFETY COVER	1
.	.	120353 WIRE DIAGRAM	1
48	130471	WALKING BELT ASSEMBLY	1
49	012152	SMALL NUT	2
50	102955	OPTIC SWITCH	2
51	102959	SMALL BOLT	2
52	109370	INCLINE OPTIC DISK	1
53	116892	INCLINE MOTOR BRACKET	1
54	119375	INCLINE MOTOR BOLT	2
55	115523	INCLINE MOTOR	1
56	114270	INCLINE MOTOR SPACER	1
57	102633	OPTIC SWITCH WIRE HARNESS	2
58	013028	ENDCAP SCREW	4
59	110926	CUSHION FOOT BOLT	4
60	115032	CUSHION FOOT ASSEMBLY	2
.	.	109719 SPRING	1
.	.	113986 FOOT	1
.	.	112738 FASTENER	4
.	.	129743 REPLACEMENT INSTR.	1
61	119234	RIGHT REAR ENDCAP	1
62	105444	REAR ROLLER ADJUST BOLT	2
63	016029	4" CABLE TIE	1
64	016057	8" CABLE TIE	1
65	116927	TIE BLOCK	1
66	104188	COVER WASHER	2
67	126040	3/16" ALLEN WRENCH	1
68	016028	WRENCH CLIP	1
69	109788	REAR ROLLER W/RI	1
.	.	105264 REAR ROLLER	1
.	.	103847 REPLACEMENT INSTR.	1
70	119233	LEFT REAR ENDCAP	1
71	119779	PLATFORM SCREW	8
72	123813	WALKING PLATFORM W/RI	1
.	.	122817 WALKING PLATFORM	1
.	.	122129 SHIM	6
.	.	127860 NAIL	12
.	.	124370 REPLACEMENT INSTR.	1
73	122615	LEFT FOOT RAIL ASSY	1
.	.	119881 LEFT FOOT RAIL	1
.	.	119443 PULLEY COVER	1
.	.	115047 REPLACEMENT INSTR.	1
.	.	013516 SCREW	4
.	.	127860 NAIL	6
74	107503	MOTOR SWIVEL BOLT	1
75	120867	MOTOR TENSION NUT	1
76	121588	MOTOR MOUNTING BRACKET	1
77	113278	PULLEY/FLYWHEEL/FAN	1
78	118017	MOTOR BELT	1
79	123385	MOTOR BOLT	2

MODEL NUMBER: PFTL1004  
 VERSION: 02  
 PRODUCT NAME: PROFORM 10.0ERS  
 PRODUCT DESC:

MODEL/PART BOOK LISTING

PAGE 3  
 INI023P1  
 RUN DATE: 3/07/97  
 RUN TIME: 20:46:23

KEY NUMBER	PART NUMBER	DESCRIPTION	QUANTITY
80	120740	MOTOR W/RI	1
.	.	124184 MOTOR	1
.	.	120739 REPLACEMENT INSTR.	1
80A	120741	MTR/FLYWHL/FAN/PULY ASSY	1
.	.	124184 MOTOR	1
.	.	113278 PULLEY/FLYWHL/FAN	1
.	.	119070 OPTIC DISK	1
.	.	120739 REPLACEMENT INSTR.	1
81	119070	SPEED OPTIC DISK	1
82	120653	OPTIC SWITCH BRACKET	1
83	122125	OPTIC SWITCH BRACKET NUT	1
84	105477	MOTOR NUT	2
85	119418	WIRE COVER	1
86	119999	CUSHION FOOT COVER	2
87	120780	DECK SHIM	2
88	120909	CHOKE BRACKET	1
89	120866	SMALL HEX SCREW	7
90	113203	6" CABLE LOOM	2
91	045017	7/32" ALLEN WRENCH	1
92	116926	CABLE TIE	1
93	014086	INCLINE LEG WASHER	2
94	123303	UPRIGHT BUSHING	2
95	122332	UPRIGHT SPACER	2
96	122129	FOOT RAIL SHIM	6
97	122812	MOTOR TENSION WASHER	1
.	.	NON-ILLUSTRATED PARTS	0
#	107771	8" WHITE WIRE, MALE/FEMALE	1
#	102246	8" WHITE WIRE, 2 FEMALE	1
#	101951	8" BLACK WIRE, 2 FEMALE	1
#	109407	4" BLACK WIRE, 2 FEMALE	1
#	102634	8" GREEN GROUND WIRE	1
#	118201	8" RED WIRE, MALE/FEMALE	1
#	112083	8" BLUE WIRE, 2 FEMALE	1
#	114011	4" BLACK WIRE, M/F	1
#	118204	8" BLUE WIRE, M/F	1
#	115872	STRAIN RELIEF	1
#	120353	WIRE DIAGRAM DECAL	1
#	122342	SOFT STRIDE DECAL	1
#	121487	LEFT FRAME DECAL	1
#	120468	RIGHT FRAME DECAL	1
#	014117	MOTOR TENSION LOCK WASHER	1
#	014157	OPTIC SWITCH LOCK WASHER	1
#	123174	OWNER'S MANUAL	1
.	123175	LITERATURE PACKET	1
.	.	123174 OWNER'S MANUAL	1
.	.	119946 PULSE/CLOTHES CLIP	1
.	.	120069 HARDWARE KIT	1
.	.	016028 CLAMP TOOL	1
.	.	126040 3/16" ALLEN WRNCH	1
.	.	045017 7/32" ALLEN WRNCH	1
.	.	014132 3/8" FLAT WASHER	2
.	.	112001 3/8"X3" SCREW	2
.	.	119994 3/8"X1.25" SCREW	2