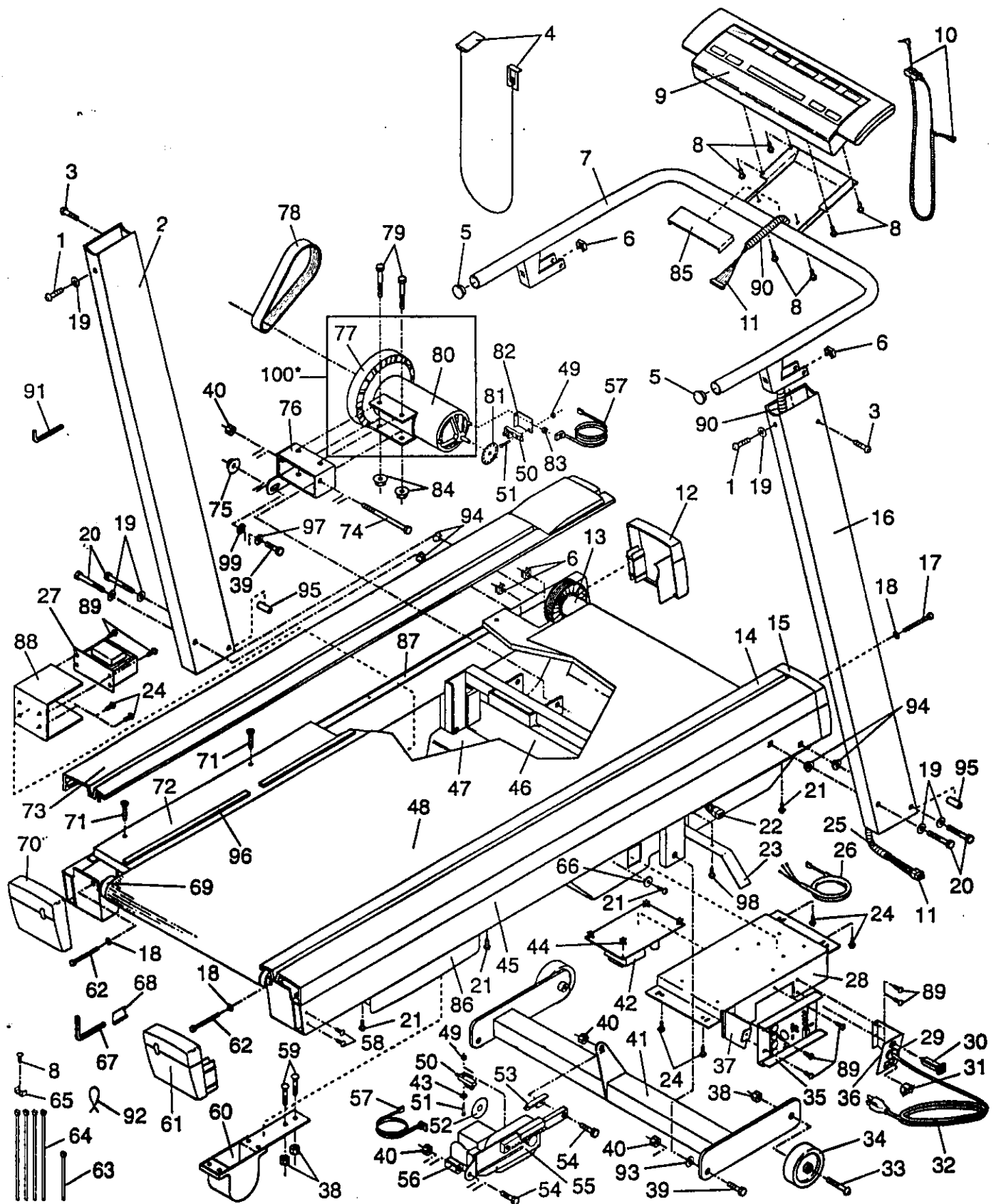


EXPLODED DRAWING—Model No. PFTL10043

Rev. 11/95



MODEL NUMBER: PFTL1004
 VERSION: 03
 PRODUCT NAME: PROFORM 10.0ERS
 PRODUCT DESC:

MODEL/PART BOOK LISTING

PAGE 1
 INI023P1
 RUN DATE: 3/07/97
 RUN TIME: 20:46:28

KEY NUMBER	PART NUMBER	DESCRIPTION	QUANTITY
.	.	**SEND EUROPEAN UPDATE**	0
.	.	PROFORM 10.0 ERS	0
1	119994	HANDRAIL LOCK BOLT	2
2	120328	LEFT UPRIGHT	1
3	013438	3/8" X 1" BOLT	2
4	119038	SAFETY KEY/CLIP	1
5	116980	HANDRAIL CAP	2
6	111869	CAGE NUT	6
7	126642	HANDRAIL	1
8	013141	CONSOLE SCREW	7
9	122613	CONSOLE	1
10	119946	PULSE EARCLIP/CLOTHES CLP	1
11	121812	HANDRAIL WIRE HARNESS	1
12	119231	FRONT LEFT ENDCAP	1
13	122612	FRONT ROLLER/PULLEY	1
14	122620	RIGHT FOOT RAIL W/FSTNRS	1
15	119232	FRONT RIGHT ENDCAP	1
16	120330	RIGHT UPRIGHT	1
17	112609	FRONT ROLLER ADJUST BOLT	1
18	014127	ROLLER ADJUST WASHER	3
19	014132	FLAT WASHER	4
20	112001	3/8" X 3" BOLT	4
21	013162	SAFETY COVER SCREW	19
22	119769	20" WIRE HARNESS	1
23	128098	BELT GUIDE	1
24	108080	SCREW	9
25	113204	12" CABLE LOOM	2
26	105989	14" PWR BRD-CNTRLLR WIRE	1
27	109365	CHOKE	1
28	123308	ELECTRONICS BRACKET	1
29	124695	GROMMET	1
30	109382	CIRCUIT BREAKER	1
31	119163	ON/OFF SWITCH	1
32	124669	POWER CORD	1
33	117806	FRONT WHEEL BOLT	2
34	052014	FRONT WHEEL	2
35	136255	CONTROLLER	1
36	119026	POWER CORD BRACKET	1
37	119416	SAFETY COVER BRACKET	1
38	012056	WHEEL/CUSHION FOOT NUT	6
39	013547	INCLINE LEG/MTR TNSN BOLT	3
40	012149	INCLINE LEG/MTR TNSN NUT	5
41	116677	INCLINE LEG	1
42	120729	POWER BOARD W/CLIPS	1
43	014157	SWITCH STAR WASHER	1
44	125819	PLASTIC STAND OFF	4
45	NSP	FRAME	1
46	118923	FRONT SAFETY COVER	1
47	121176	BACK SAFETY COVER	1
48	130471	WALKING BELT W/FASTENERS	1
49	012152	SMALL NUT	2
50	102955	OPTIC SWITCH	2
51	102959	SMALL BOLT	2
52	109370	INCLINE OPTIC DISK	1

MODEL NUMBER: PFTL1004
 VERSION: 03
 PRODUCT NAME: PROFORM 10.0ERS
 PRODUCT DESC:

MODEL/PART BOOK LISTING

PAGE 2
 INI023P1
 RUN DATE: 3/07/97
 RUN TIME: 20:46:28

KEY NUMBER	PART NUMBER	DESCRIPTION	QUANTITY
53	116892	INCLINE MOTOR BRACKET	1
54	119375	INCLINE MOTOR BOLT	2
55	115523	INCLINE MOTOR	1
56	114270	INCLINE MOTOR SPACER	1
57	102633	OPTIC SWITCH WIRE HARNESS	2
58	013028	ENDCAP SCREW	4
59	110926	CUSHION FOOT BOLT	4
60	115032	CUSHION FOOT	2
61	119234	RIGHT REAR ENDCAP	1
62	105444	REAR ROLLER ADJUST BOLT	2
63	016029	4" CABLE TIE	1
64	016057	8" CABLE TIE	1
65	116927	TIE BLOCK	1
66	104188	COVER WASHER	2
67	126040	3/16" ALLEN WRENCH	1
68	016028	WRENCH CLIP	1
69	109788	REAR ROLLER	1
70	119233	LEFT REAR ENDCAP	1
71	119779	PLATFORM SCREW	8
72	123813	WALKING BOARD W/FASTENERS	1
73	122615	LEFT FOOT RAIL W/FASTENER	1
74	107503	MOTOR SWIVEL BOLT	1
75	120867	MOTOR TENSION NUT	1
76	122644	MOTOR MOUNTING BRACKET	1
77	113278	PULLEY/FLYWHEEL/FAN	1
78	118017	MOTOR BELT	1
79	123385	MOTOR BOLT	2
80	120740	MOTOR	1
81	119070	SPEED OPTIC DISK	1
82	120653	OPTIC SWITCH BRACKET	1
83	122125	OPTIC SWITCH BRACKET NUT	1
84	105477	MOTOR NUT	2
85	119418	WIRE COVER	1
86	119999	CUSHION FOOT COVER	2
87	120780	DECK SHIM	2
88	120909	CHOKE BRACKET	1
89	120866	SMALL HEX SCREW	7
90	113203	6" CABLE LOOM	2
91	045017	7/32" ALLEN WRENCH	1
92	116926	CABLE TIE	1
93	124009	INCLINE LEG WASHER	2
94	123303	UPRIGHT BUSHING	4
95	122332	UPRIGHT SPACER	2
96	122129	FOOT RAIL SHIM	6
97	122812	MOTOR TENSION WASHER	1
98	120630	BELT GUIDE SCREW	3
99	014117	MOTOR TENSION STAR WASHER	1
100	120741	MTR/FLYWHL/FAN/PULY ASSY	1
.	.	NON-ILLUSTRATED PARTS	0
#	107771	8" WHITE WIRE, MALE/FEMALE	1
#	102246	8" WHITE WIRE, 2 FEMALE	1
#	124769	8" BLACK WIRE, 2 FEMALE	1
#	109407	4" BLACK WIRE, 2 FEMALE	1
#	102634	8" GREEN GROUND WIRE	1

MODEL NUMBER: PFTL1004
VERSION: 03
PRODUCT NAME: PROFORM 10.0ERS
PRODUCT DESC:

MODEL/PART BOOK LISTING

PAGE 3
INI023P1
RUN DATE: 3/07/97
RUN TIME: 20:46:28

KEY NUMBER	PART NUMBER	DESCRIPTION	QUANTITY
#	124759	8" RED WIRE, MALE/FEMALE	1
#	112083	8" BLUE WIRE, 2 FEMALE	1
#	114011	4" BLACK WIRE, M/F	1
#	118204	8" BLUE WIRE, M/F	1
#	115872	STRAIN RELIEF	1
#	120353	WIRE DIAGRAM	1
#	127956	OWNER'S MANUAL	1
.	127955	LITERATURE PACKET	1
.	.	127956 OWNER'S MANUAL	1
.	.	119946 PULSE/CLOTHES CLIP	1
.	.	120069 HARDWARE KIT	1
.	.	016028 CLAMP TOOL	1
.	.	126040 3/16" ALLEN WRNCH	1
.	.	045017 7/32" ALLEN WRNCH	1
.	.	014132 3/8" FLAT WASHER	4
.	.	112001 3/8"X3" SCREW	2
.	.	119994 3/8"X1.25" SCREW	2
.	.	123303 UPRIGHT BUSHING	2