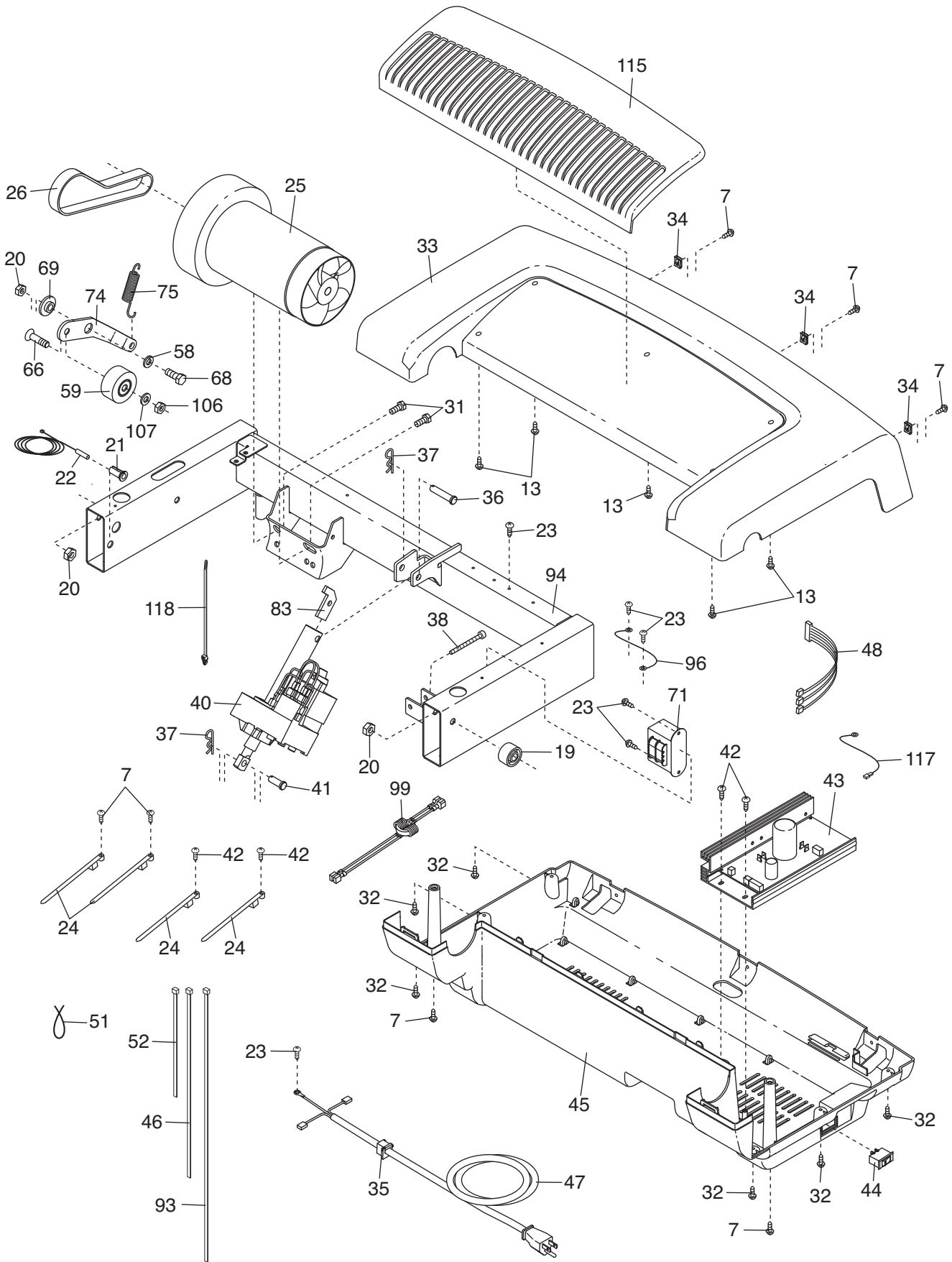


EXPLODED DRAWING B—Model No. PFTL10110.1

R0910A



EXPLODED DRAWING D—Model No. PFTL10110.1

R0910A

