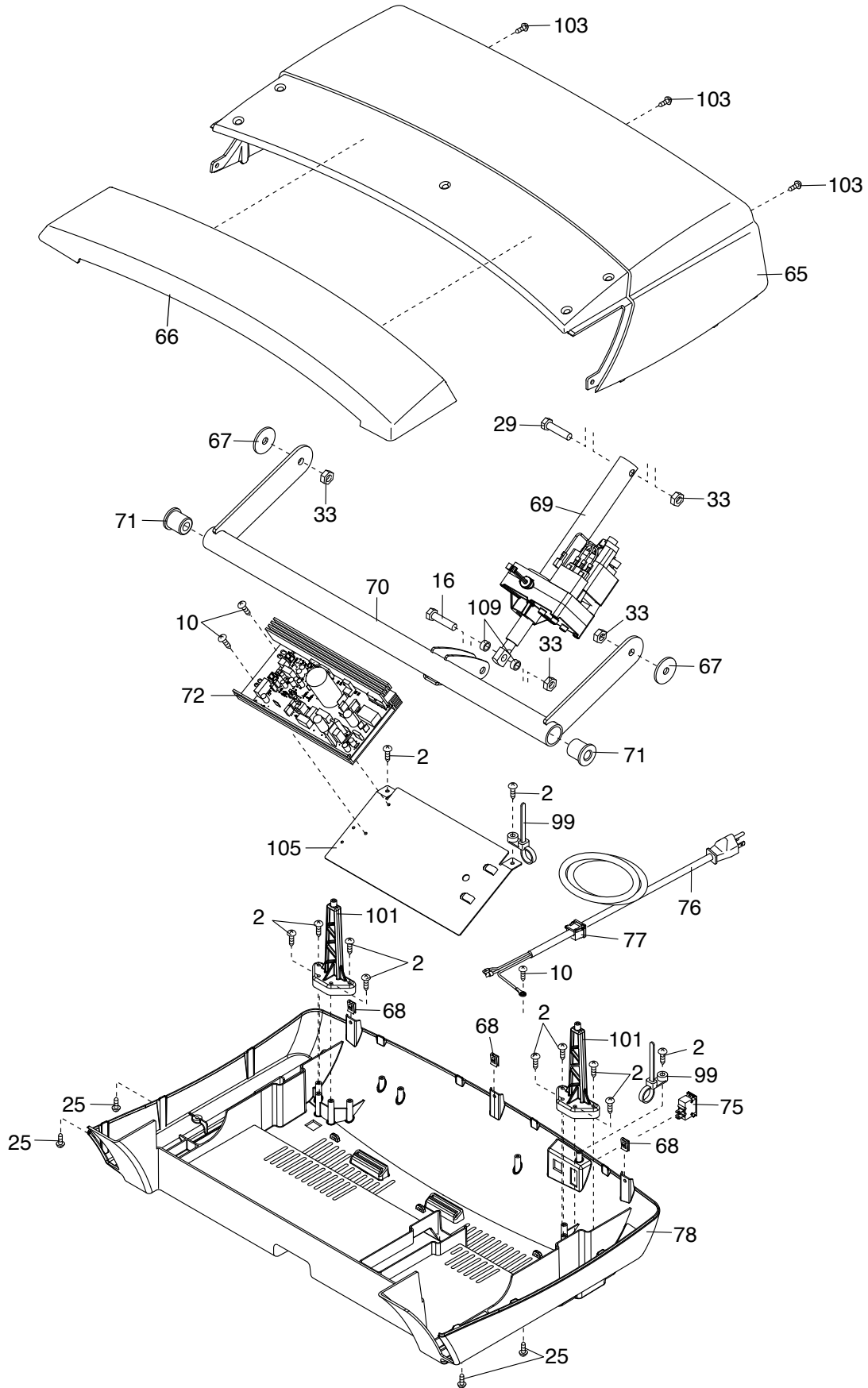


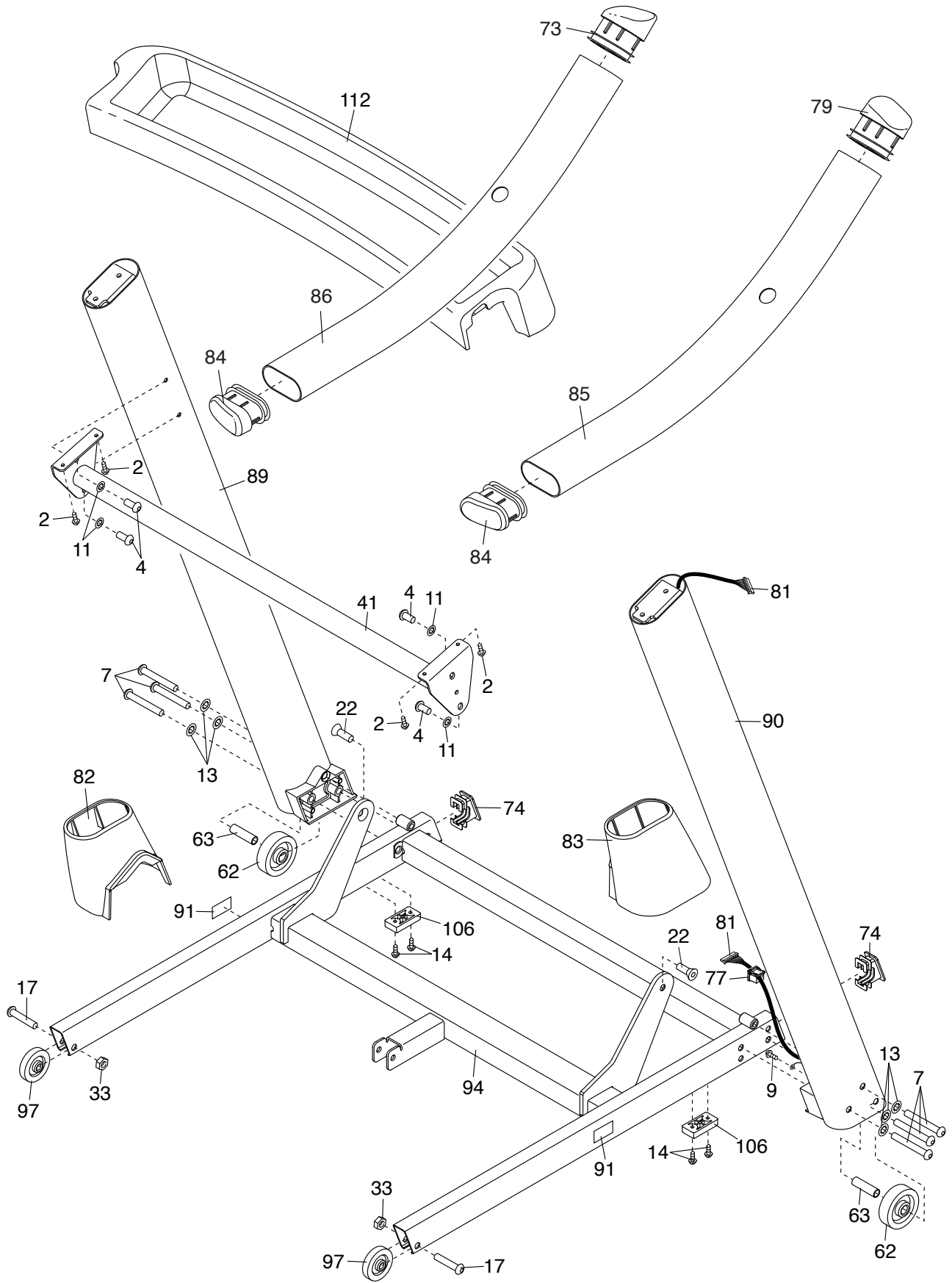
EXPLODED DRAWING B

Model No. PFTL10113.1 R0914A



EXPLODED DRAWING C

Model No. PFTL10113.1 R0914A



EXPLODED DRAWING D

Model No. PFTL10113.1 R0914A

