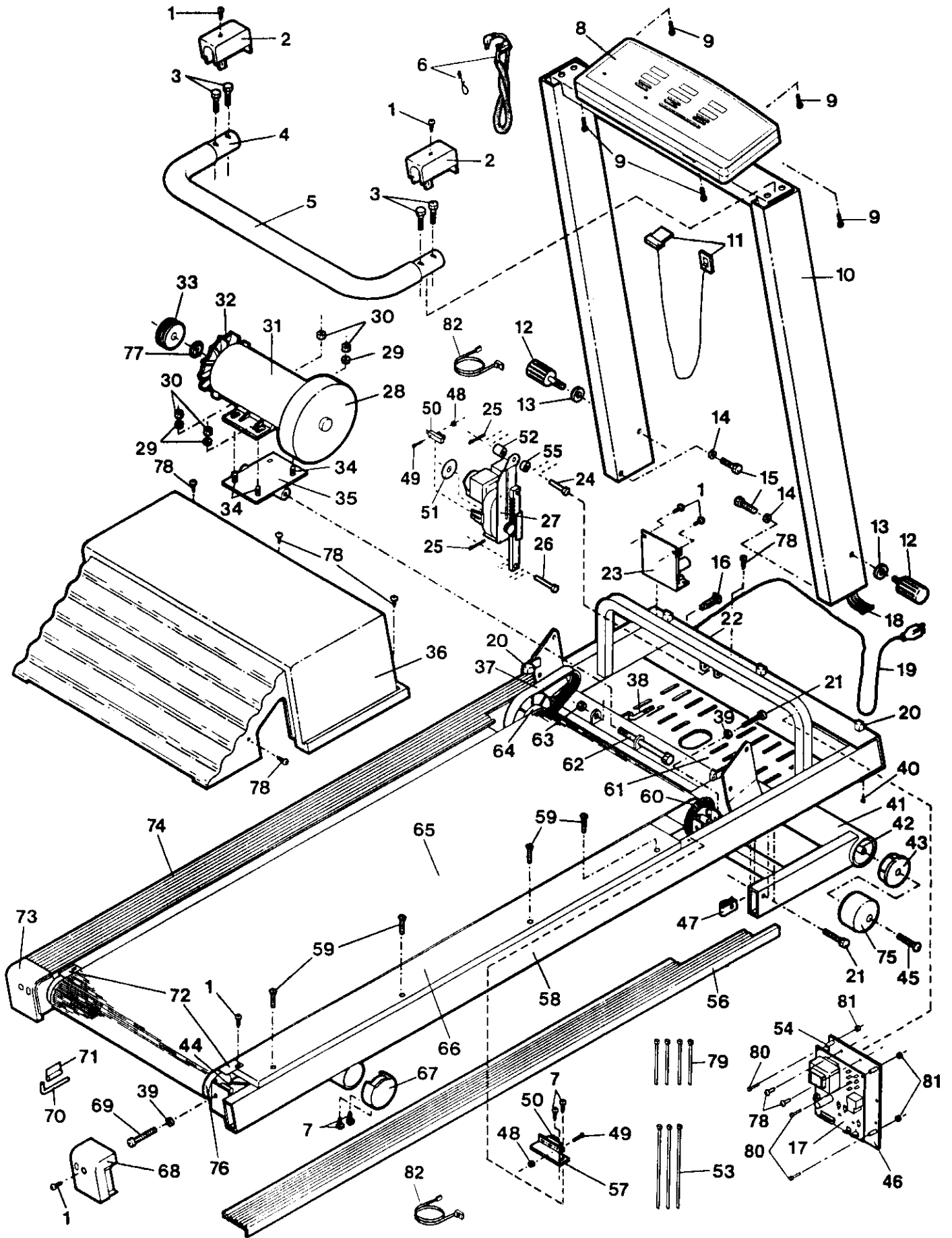


EXPLODED DRAWING—Model No. PFTL10340

R1094A



MODEL NUMBER: PFTL1034
 VERSION: 00
 PRODUCT NAME: PROFORM 1030
 PRODUCT DESC: TREADMILL

MODEL/PART BOOK LISTING

PAGE 1
 INI023P1
 RUN DATE: 9/04/96
 RUN TIME: 17:14:27

KEY NUMBER	PART NUMBER	DESCRIPTION	QUANTITY
	.	PROFORM 1030 TREADMILL	0
1	104626	3/4" SCREW	6
2	102314	UPRIGHT CAP	2
3	013550	HANDRAIL BOLT	4
4	107417	HANDRAIL W/FOAM GRIP	1
.	.	102309 HANDLEBAR	1
.	.	102541 FOAM GRIP	1
5	102541	HANDRAIL FOAM	1
6	119946	PULSE/CLOTHES CLIP	1
7	013162	1/2" SCREW	7
8	122962	CONSOLE W/RI *	1
.	.	120472 CONSOLE	1
.	.	122963 REPLACEMENT INSTR.	1
9	013141	CONSOLE SCREW	7
10	120504	UPRIGHT	1
11	113961	SAFETY KEY/CLIP	1
12	017103	UPRIGHT KNOB	2
13	014050	KNOB WASHER	2
14	014087	UPRIGHT WASHER	2
15	104581	UPRIGHT BOLT	2
16	109382	CIRUIT BREAKER	1
17	120729	POWER BOARD W/RI	1
.	.	117860 POWER BOARD	1
.	.	125819 LOCKPIN STANDOFF	4
.	.	120728 REPLACEMENT INST	1
18	120511	UPRIGHT HARNESS	1
19	031229	POWER CORD	1
20	008148	HOOD MOUNT ANCHOR	5
21	013445	FRONT ROLLER ADJ/LEG BOLT	3
22	019084	GROMMET	1
23	119482	CONTROLLER W/RI	1
.	.	112763 CONTROLLER	1
.	.	130856 REPLACEMENT INST	1
24	015046	SHORT LIFT MOTOR PIN	1
25	106334	COTTER PIN	2
26	100896	LONG LIFT MOTOR PIN	1
27	123478	LIFT MOTOR	1
28	102746	FLYWHEEL	1
29	101630	MOTOR MOUNT WASHER	3
30	012082	MOTOR MOUNT NUT	4
31	122407	MOTOR W/RI	1
.	.	102673 MOTOR	1
.	.	129647 REPLACEMENT INST	1
31A	122964	MTR/PULY/FLWH/FAN ASSY	1
32	031226	FAN	1
33	020060	MOTOR PULLEY	1
34	107042	MOTOR MOUNT BOLT	3
35	104551	MOTOR MOUNT	1
36	122958	MOTOR HOOD W/DECAL	1
.	.	122295 MOTOR HOOD	1
.	.	120507 DECAL	1
37	106939	BELT	1
38	103855	J-BOLT	1
39	014041	ADJUSTMENT WASHER	3

MODEL NUMBER: PFTL1034
VERSION: 00
PRODUCT NAME: PROFORM 1030
PRODUCT DESC: TREADMILL

MODEL/PART BOOK LISTING

PAGE 2
INI023P1
RUN DATE: 9/04/96
RUN TIME: 17:14:27

KEY NUMBER	PART NUMBER	DESCRIPTION	QUANTITY
40	013162	SAFETY COVER SCREW	16
41	102302	INCLINE LEG	1
42	102536	LEG SHAFT	1
43	019191	BUSHING	2
44	105000	REAR ROLLER SPACER	2
45	013556	WHEEL BOLT	2
46	120185	POWER BOARD PLATE	1
47	012179	U-NUT	2
48	012152	SMALL NUT	2
49	102959	SMALL BOLT	2
50	102955	PHOTO INTERRUPT SWITCH	2
51	109370	INCLINE OPTIC DISK	1
52	101605	LONG INCLINE MOTOR SPACER	1
53	016057	8" CABLE TIE	3
54	118051	PLASTIC STANDOFF	4
55	114270	SHORT INCLINE MOTOR SPCR	2
56	107420	RIGHT FOOT RAIL ASSY	1
.	.	102538 RIGHT FOOT RAIL	1
.	.	127860 NAIL	6
.	.	107103 REPLACEMENT INST	1
57	102901	BRACKET	1
58	NSP	FRAME	1
59	100691	PLATFORM BOLT	8
60	121081	SPEED ENCODER ASSEMBLY	1
.	.	117987 SPEED ENCODER	1
.	.	103336 TAPE	1
61	122965	SAFETY COVER W/DECAL	1
.	.	102310 SAFETY COVER	1
.	.	120351 WIRE DIAGRAM DECAL	1
62	104903	SWIVEL BOLT	1
63	012081	SWIVEL NUT	1
64	121080	FRONT ROLLER/PULLEY	1
65	123831	WALKING BELT ASSEMBLY	1
.	.	123830 WALKING BELT	1
.	.	127860 NAIL	12
.	.	110585 REPLACEMENT INST	1
66	124575	WALKING PLATFORM ASSEMBLY	1
.	.	124574 WALKING PLATFORM	1
.	.	127860 NAIL	12
.	.	110585 REPLACEMENT INST	1
.	.	NOTE: THIS ASSEMBLY HAS	0
.	.	BEEN CHANGED FROM THE	0
.	.	ORIGINAL WAXED BOARD	0
67	040156	REAR LEG ENDCAP	2
68	102519	RIGHT ENDCAP	1
69	112592	REAR ROLLER ADJUST BOLT	2
70	045020	ALLEN WRENCH	1
71	016028	WRENCH CLIP	1
72	010206	ROLLER GUARD	2
73	102518	LEFT ENDCAP	1
74	107419	LEFT FOOT RAIL ASSY	1
.	.	102537 LEFT FOOT RAIL	1
.	.	127860 NAIL	6
.	.	107103 REPLACEMENT INST	1

MODEL NUMBER: PFTL1034
VERSION: 00
PRODUCT NAME: PROFORM 1030
PRODUCT DESC: TREADMILL

MODEL/PART BOOK LISTING

PAGE 3
INI023P1
RUN DATE: 9/04/96
RUN TIME: 17:14:27

KEY NUMBER	PART NUMBER	DESCRIPTION	QUANTITY
75	102681	FRONT WHEEL	2
76	122404	REAR ROLLER W/RI	1
.	.	119242 REAR ROLLER	1
.	.	122405 REPLACEMENT INSTR.	1
77	102603	FAN PUSHNUT	1
78	013300	SILVER SCREW	8
79	016029	4" CABLE TIE	2
80	118050	POWER BOARD SCREW	4
81	117405	POWER BOARD NUT	4
82	102633	20" PHOTO SWITCH WIRE	2
.	.	NON-ILLUSTRATED PARTS	0
#	102247	20" BLK JMPR WIRE,2FEMALE	1
#	102634	8" GROUND WIRE	1
#	113204	12" CABLE LOOM	1
#	121971	20" BLUE JUMP WIRE,2FEMAL	1
#	103823	14"WHT JUMP WIRE,1 EACH	1
#	105564	WIRE HRNS,CNTRLLR/PWR BRD	1
#	103824	20" WHT JUMP WIRE,2FEMALE	1
#	120351	WIRE DIAGRAM DECAL	1
#	120960	FRAME DECAL	2
#	120849	HOOD DECAL	1
#	120851	OWNER'S MANUAL	1
.	120850	LITERATURE PACKET	1
.	.	120851 OWNER'S MANUAL	1
.	.	122199 CONSUMER NOTICE	1
.	.	112589 PULSE/CLOTHES CLIP	1
.	.	045020 1/4" ALLEN WRENCH	1
.	.	016028 CLAMP	1
.	.	014050 FLAT WASHER	2
.	.	017103 3/8" KNOB	2