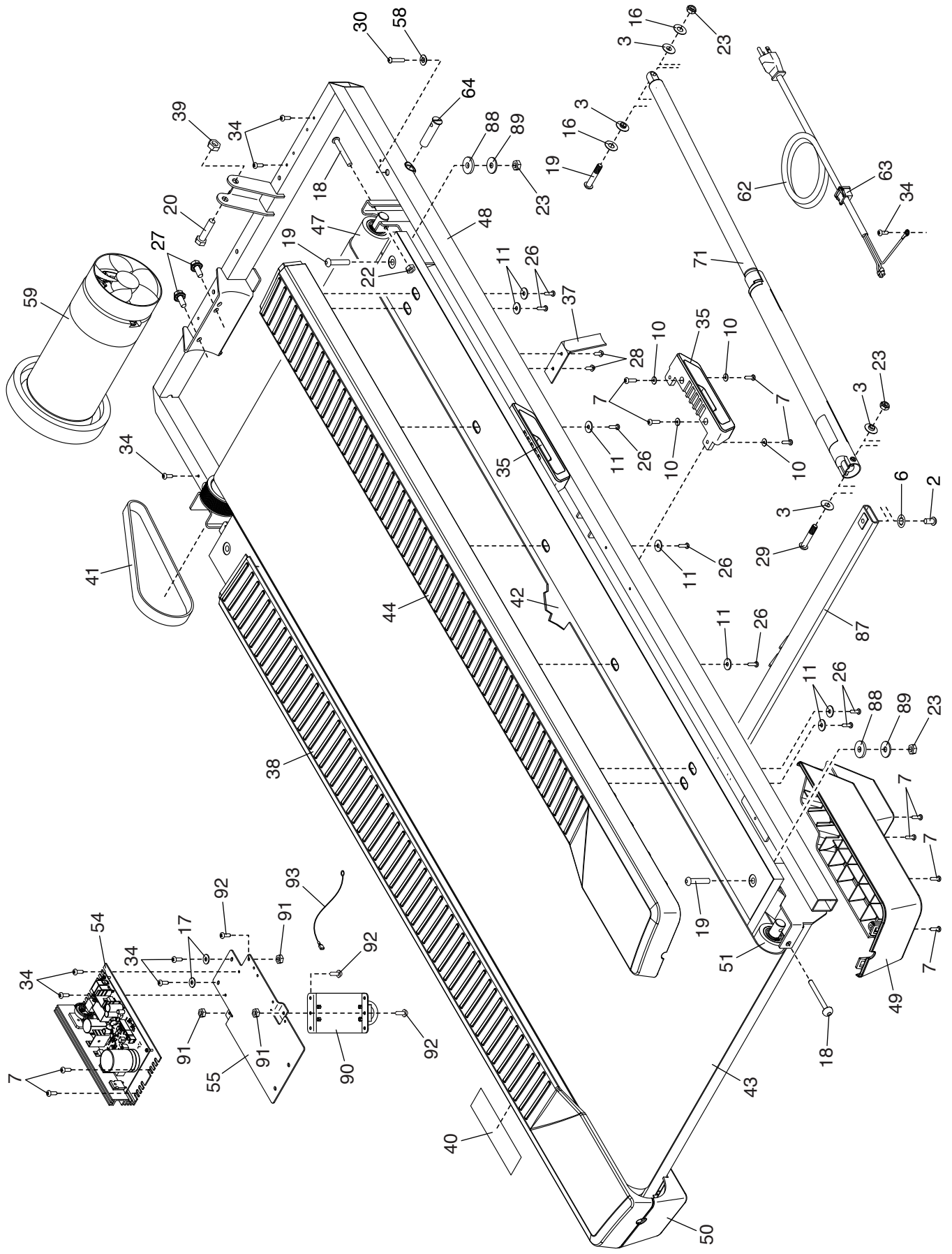


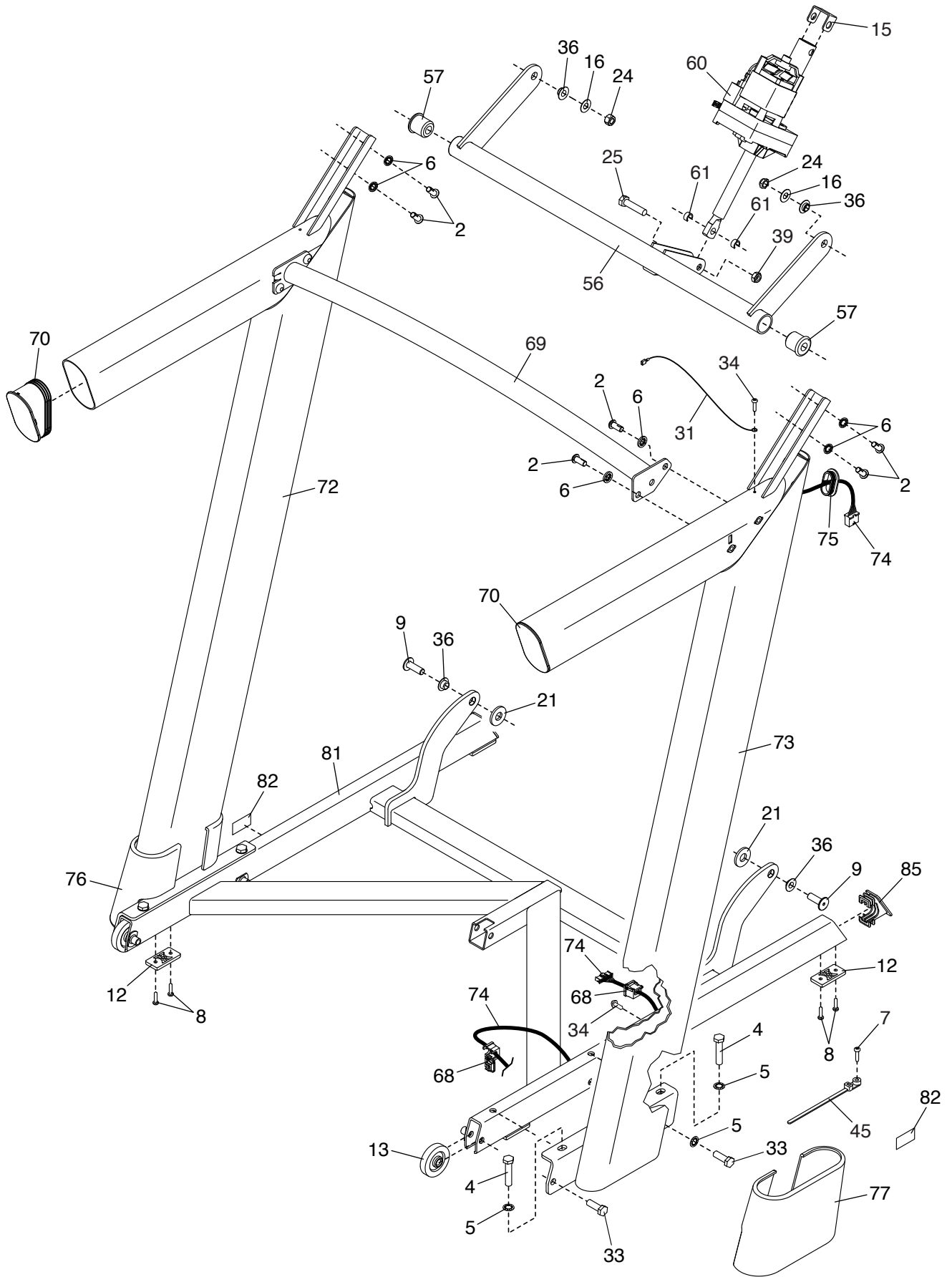
EXPLODED DRAWING A

Model No. PFTL10724.0 R1023A



EXPLODED DRAWING B

Model No. PFTL10724.0 R1023A



EXPLODED DRAWING C

Model No. PFTL10724.0 R1023A

