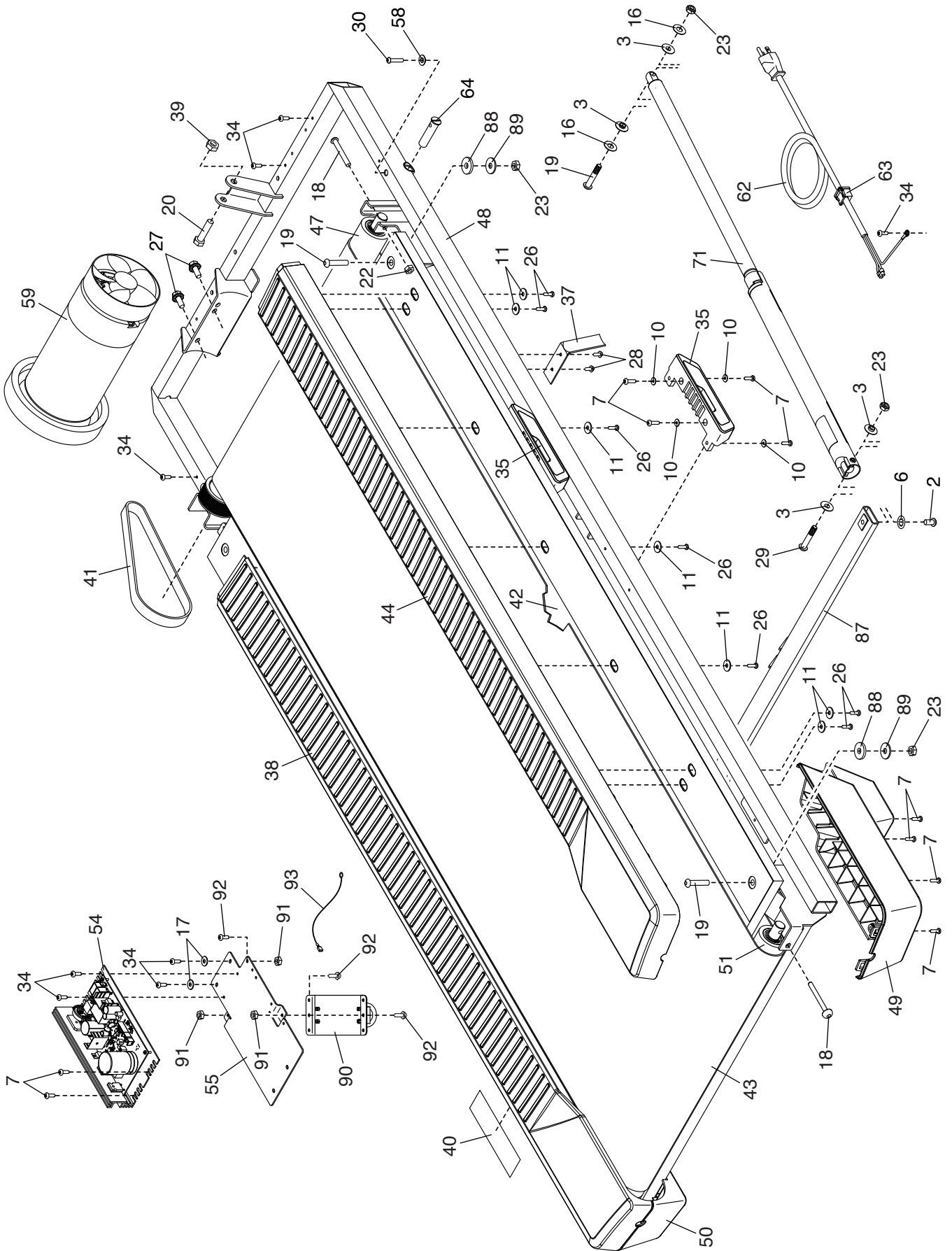


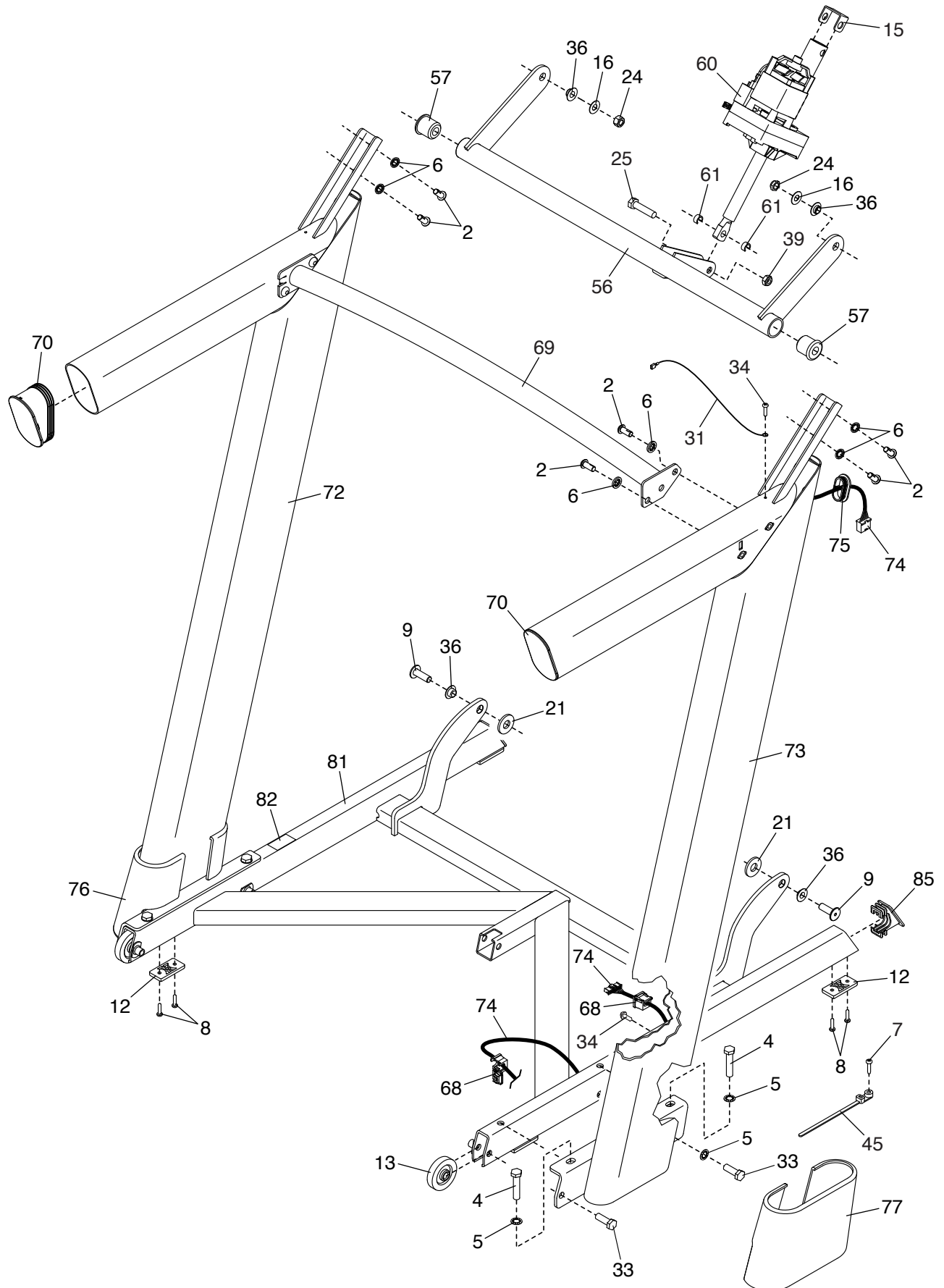
# EXPLODED DRAWING A

Model No. PFTL10724.1 R0623A



# EXPLODED DRAWING B

Model No. PFTL10724.1 R0623A



# EXPLODED DRAWING C

Model No. PFTL10724.1 R0623A

