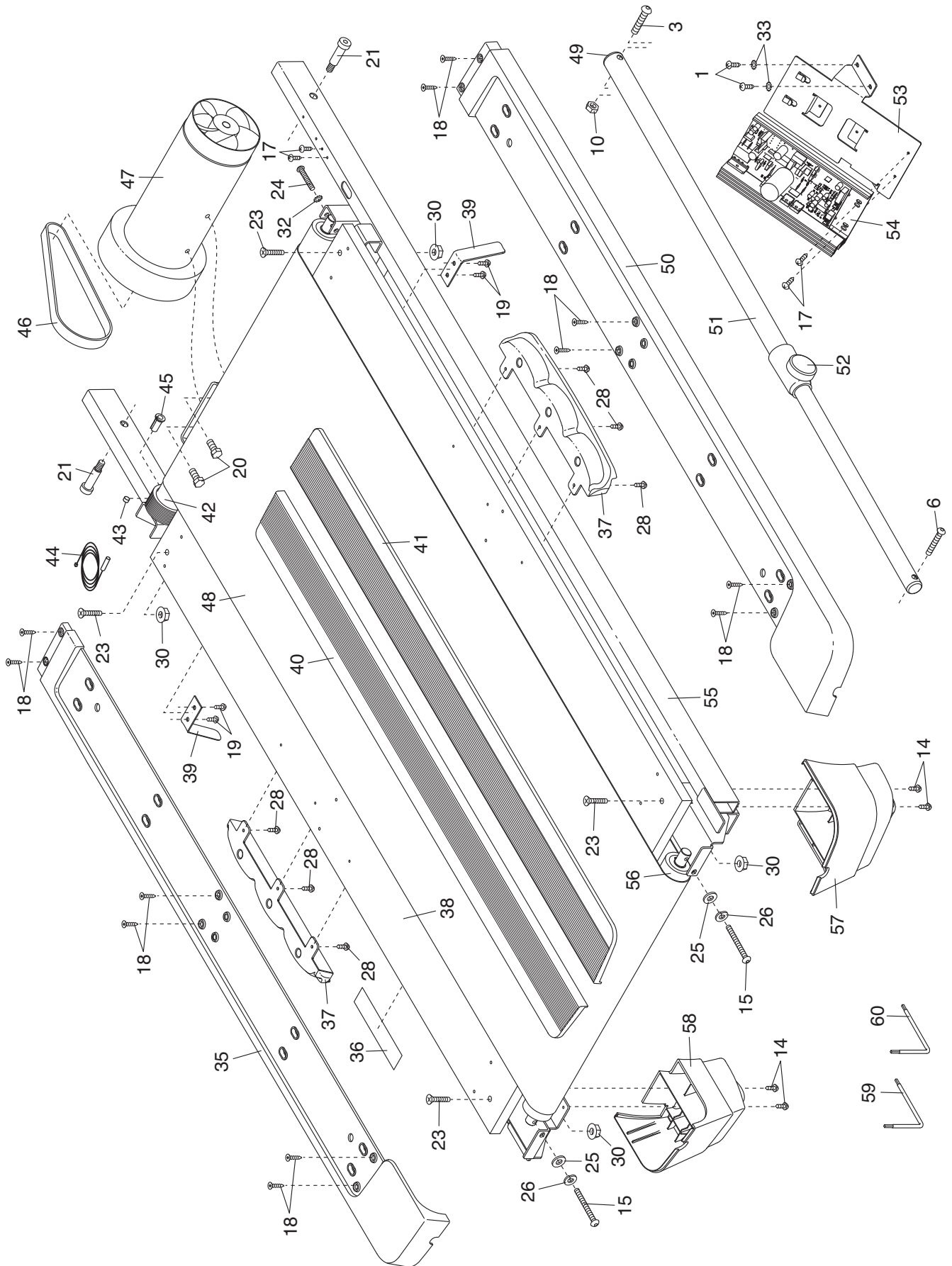


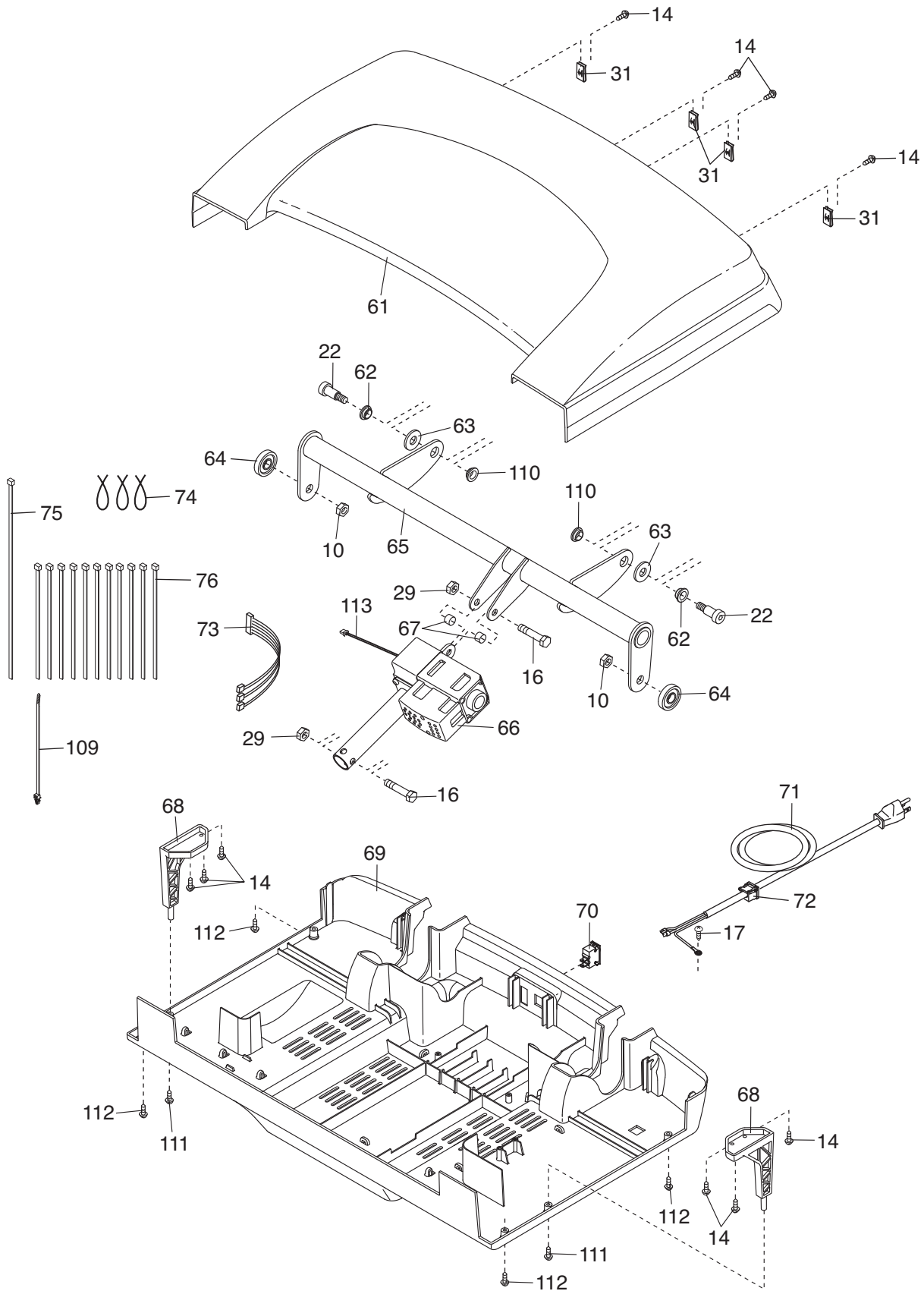
# EXPLODED DRAWING A—Model No. PFTL10909.0

R1009A



# EXPLODED DRAWING B—Model No. PFTL10909.0

R1009A





# EXPLODED DRAWING D—Model No. PFTL10909.0

R1009A

