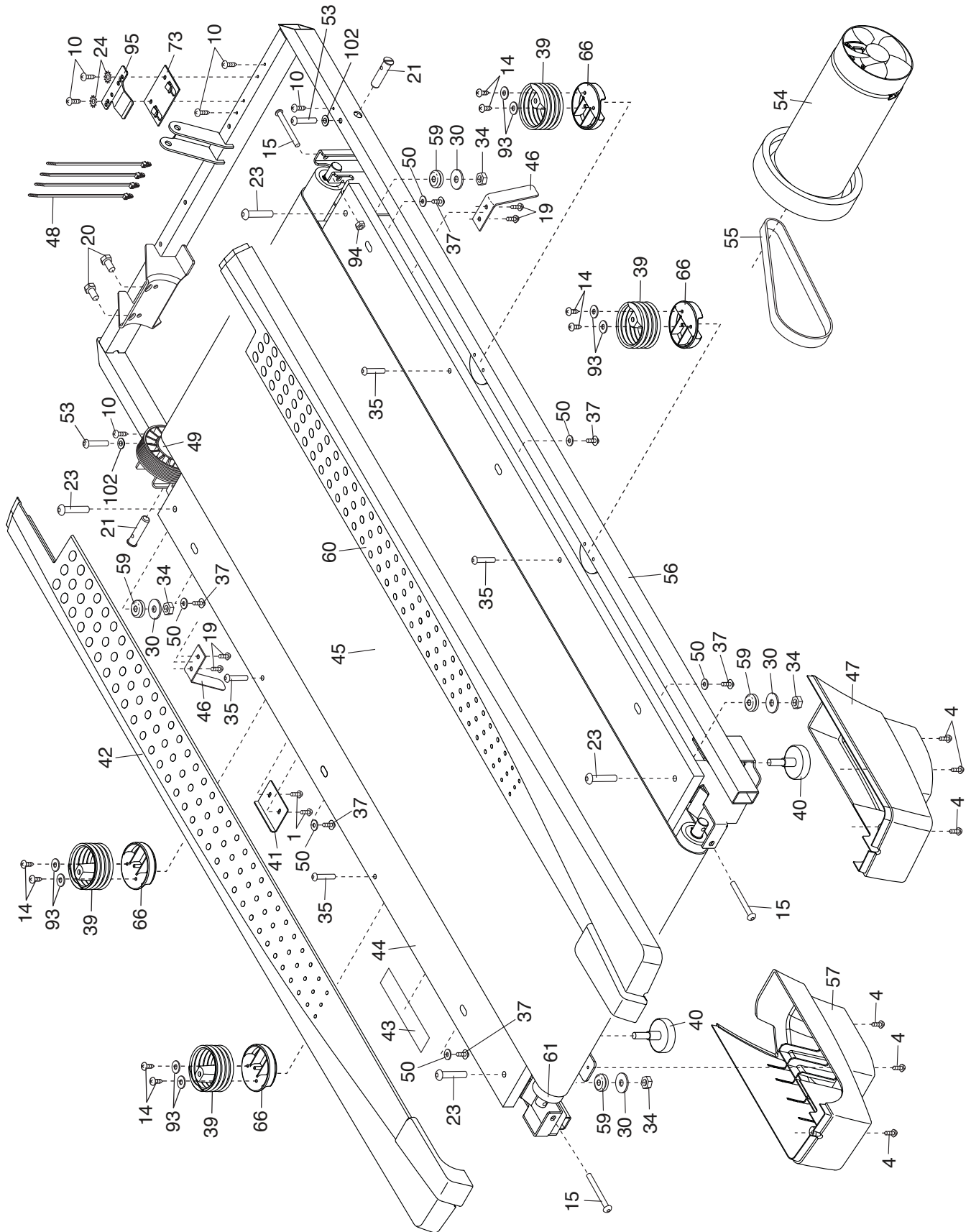


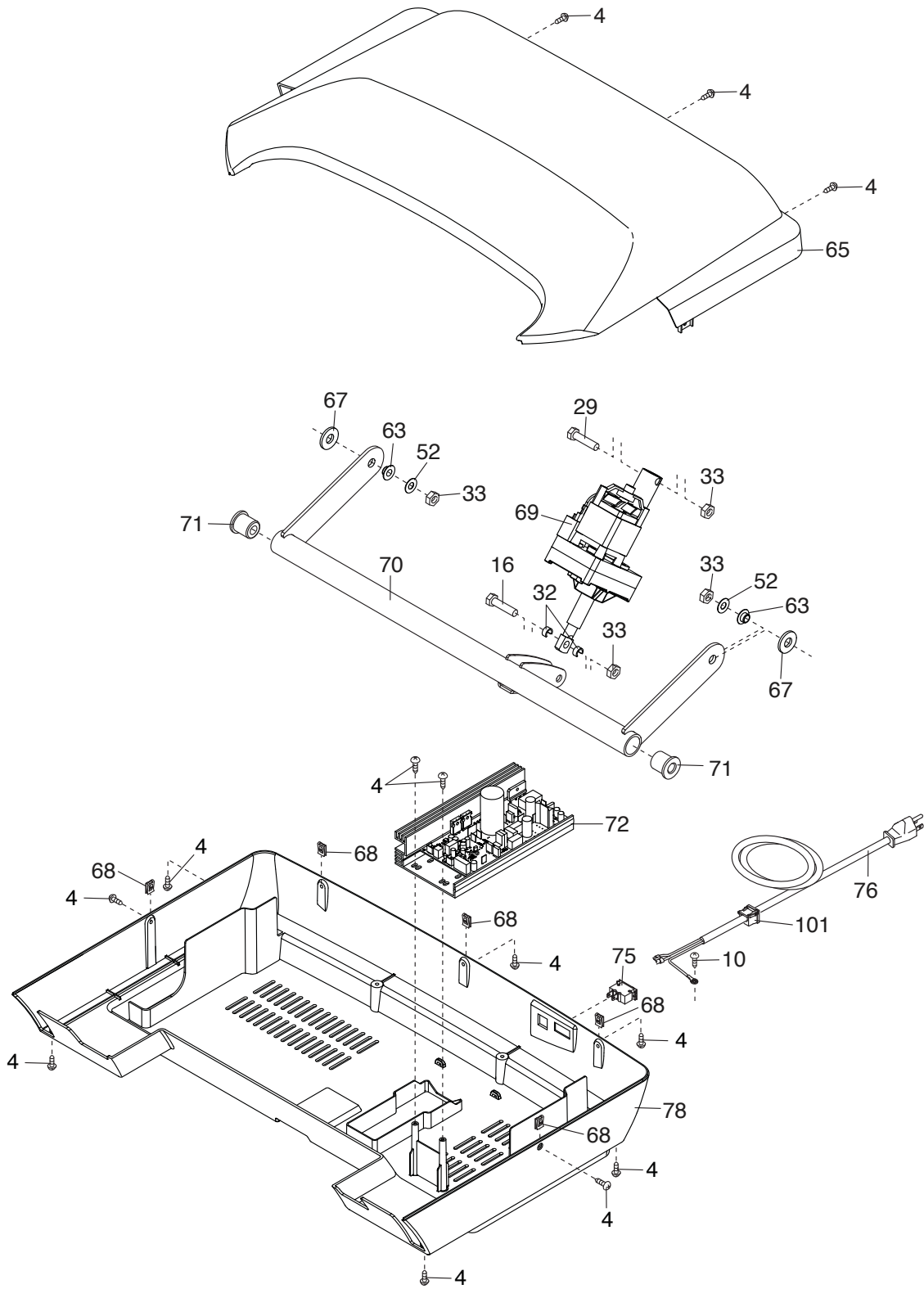
# EXPLODED DRAWING A

Model No. PFTL10916.0 R0916A



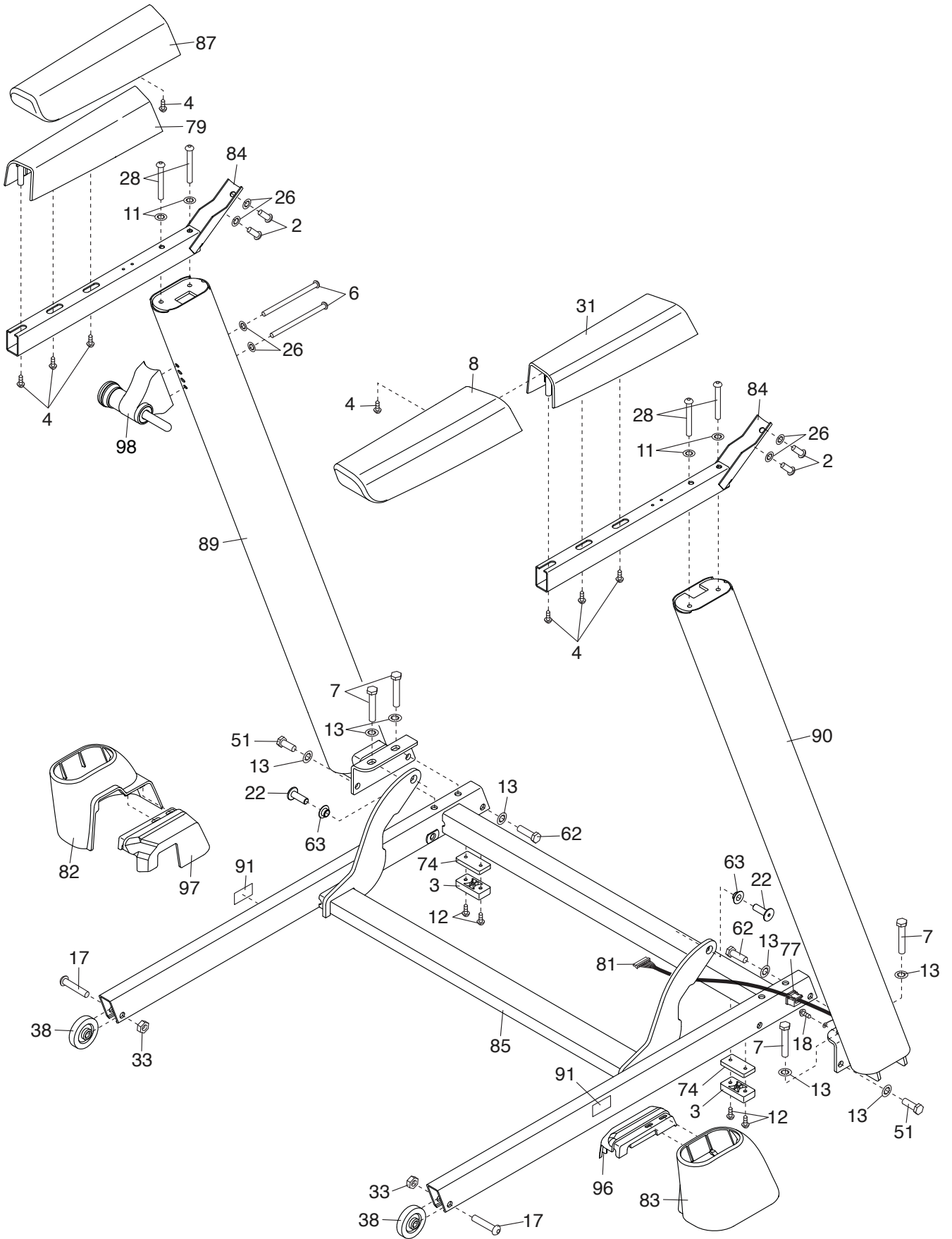
# EXPLODED DRAWING B

Model No. PFTL10916.0 R0916A



# EXPLODED DRAWING C

Model No. PFTL10916.0 R0916A



# EXPLODED DRAWING D

Model No. PFTL10916.0 R0916A

