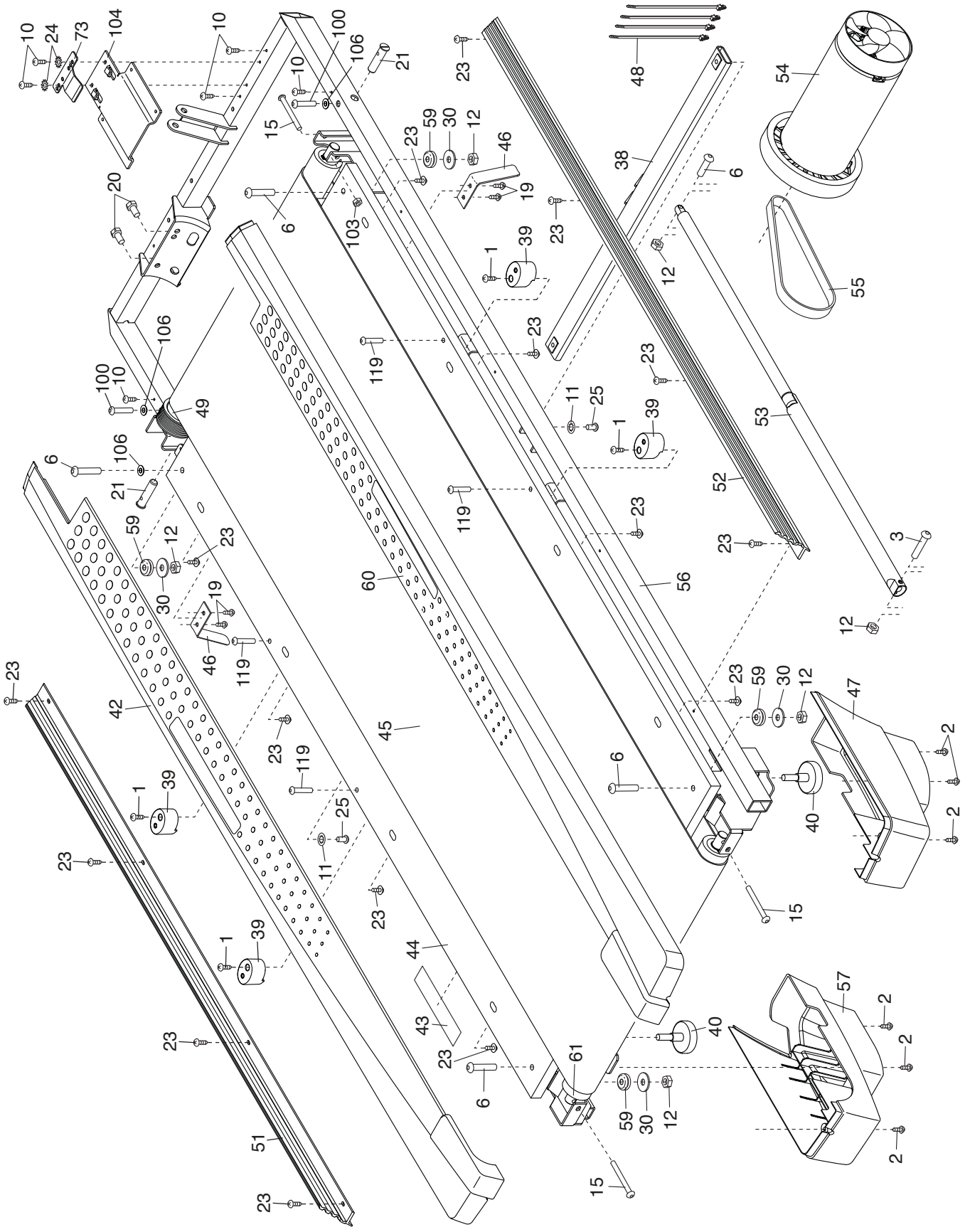


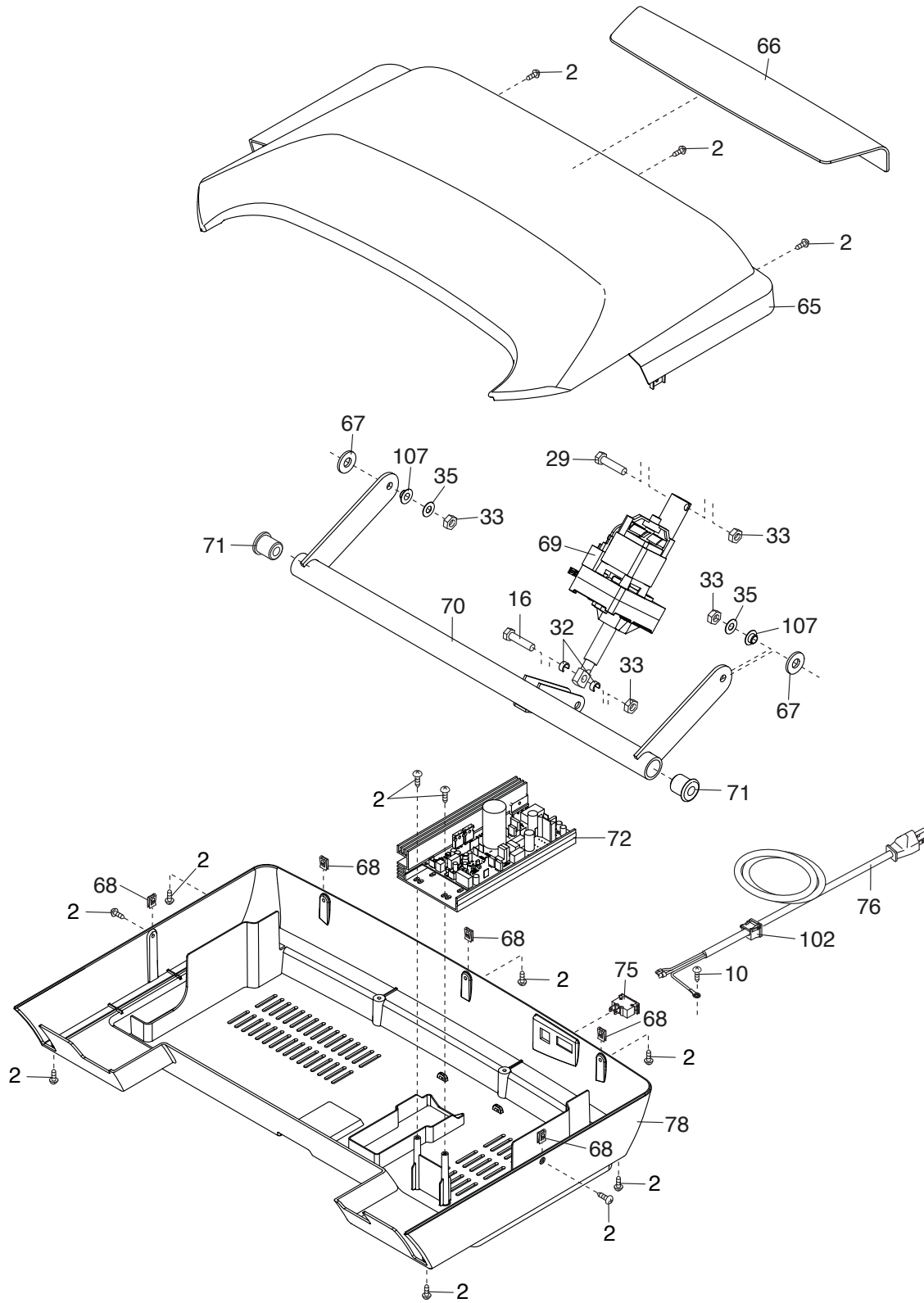
# EXPLODED DRAWING A

Model No. PFTL11016.4 R1217A



# EXPLODED DRAWING B

Model No. PFTL11016.4 R1217A





# EXPLODED DRAWING D

Model No. PFTL11016.4 R1217A

