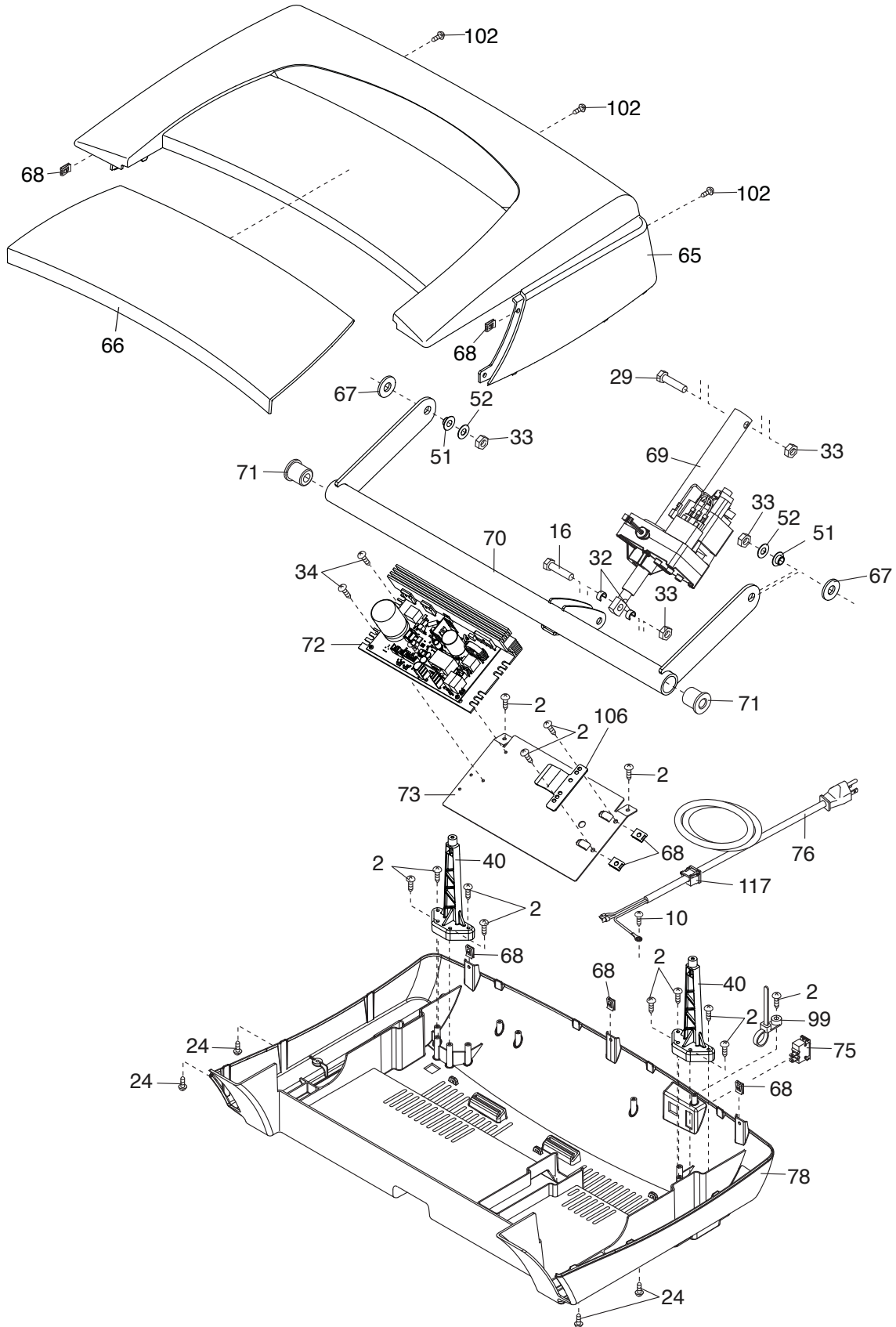


EXPLODED DRAWING B

Model No. PFTL11716.5 R0718A



EXPLODED DRAWING C

Model No. PFTL11716.5 R0718A

