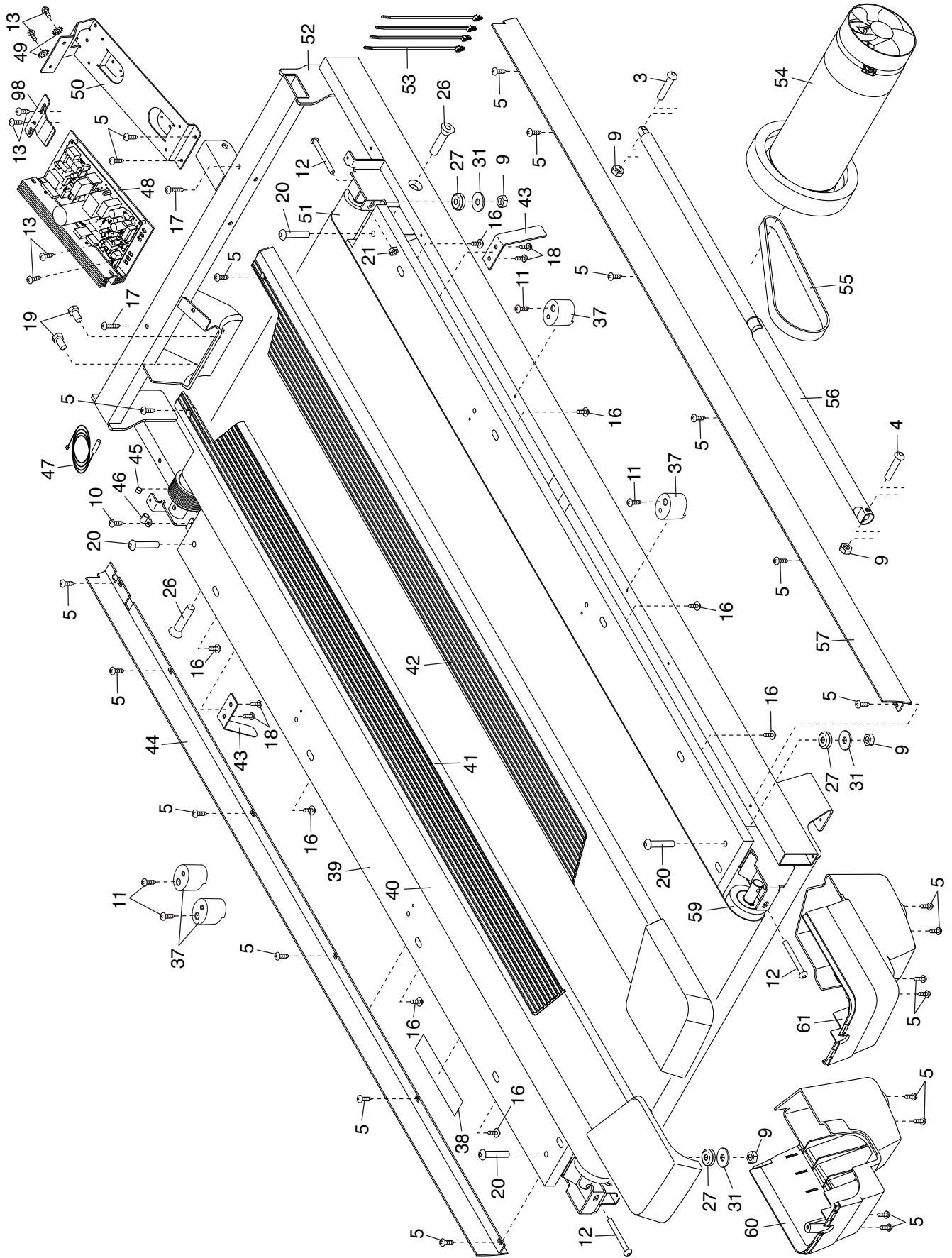


EXPLODED DRAWING A

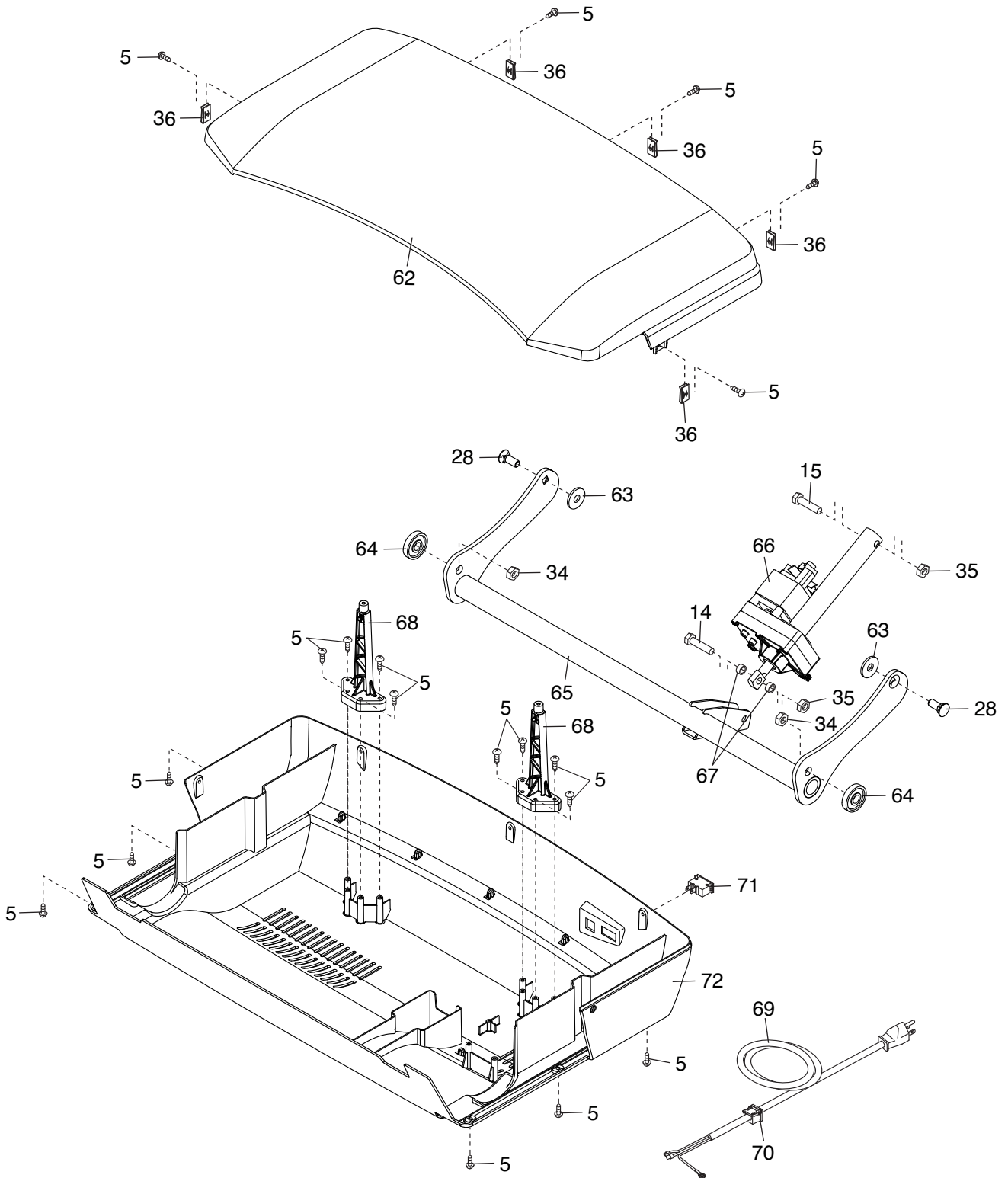
Model No. PFTL13113.3 R0814A



32

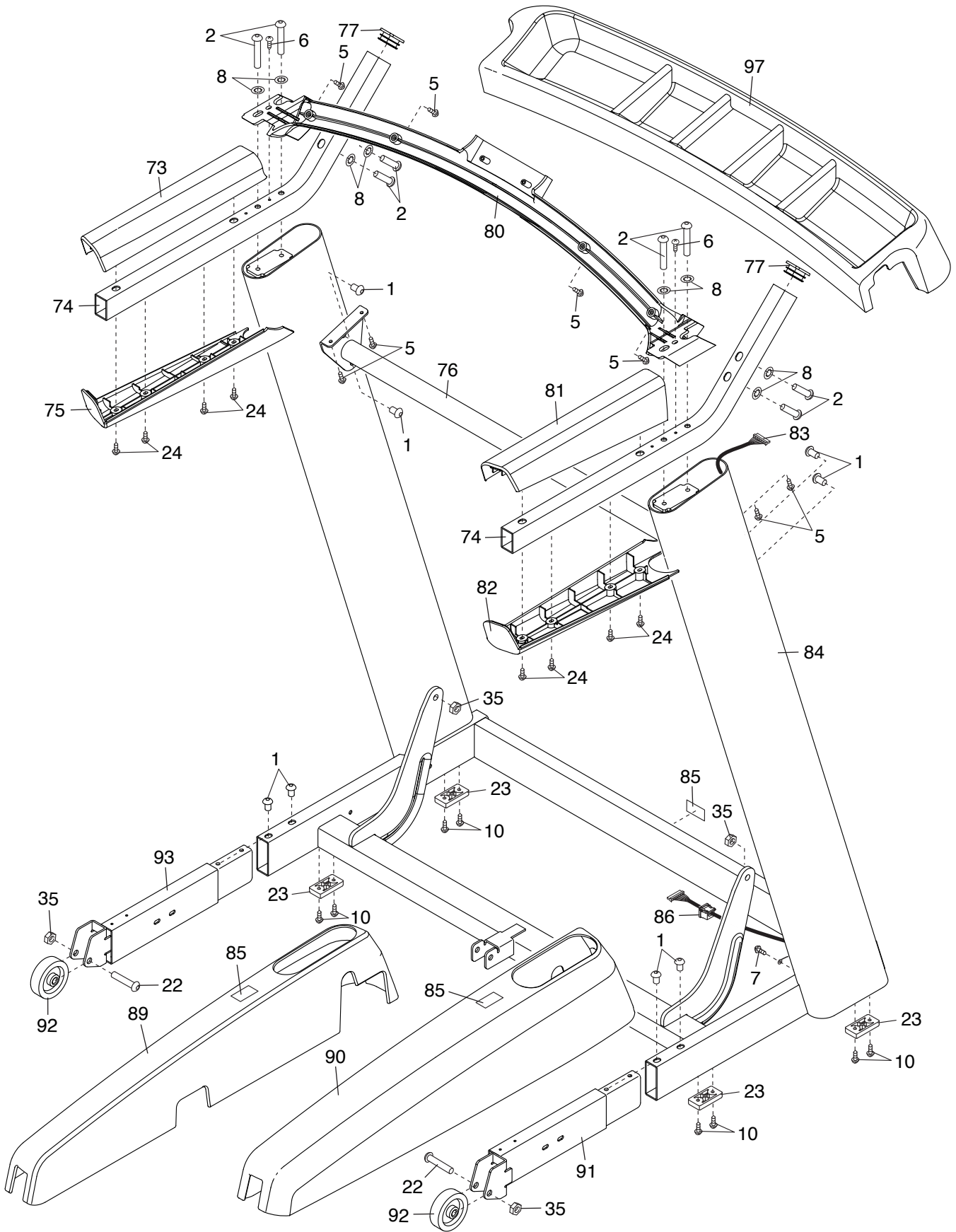
EXPLODED DRAWING B

Model No. PFTL13113.3 R0814A



EXPLODED DRAWING C

Model No. PFTL13113.3 R0814A



EXPLODED DRAWING D

Model No. PFTL13113.3 R0814A

