

# PART LIST

Model No. PFTL13118.4 R0719A

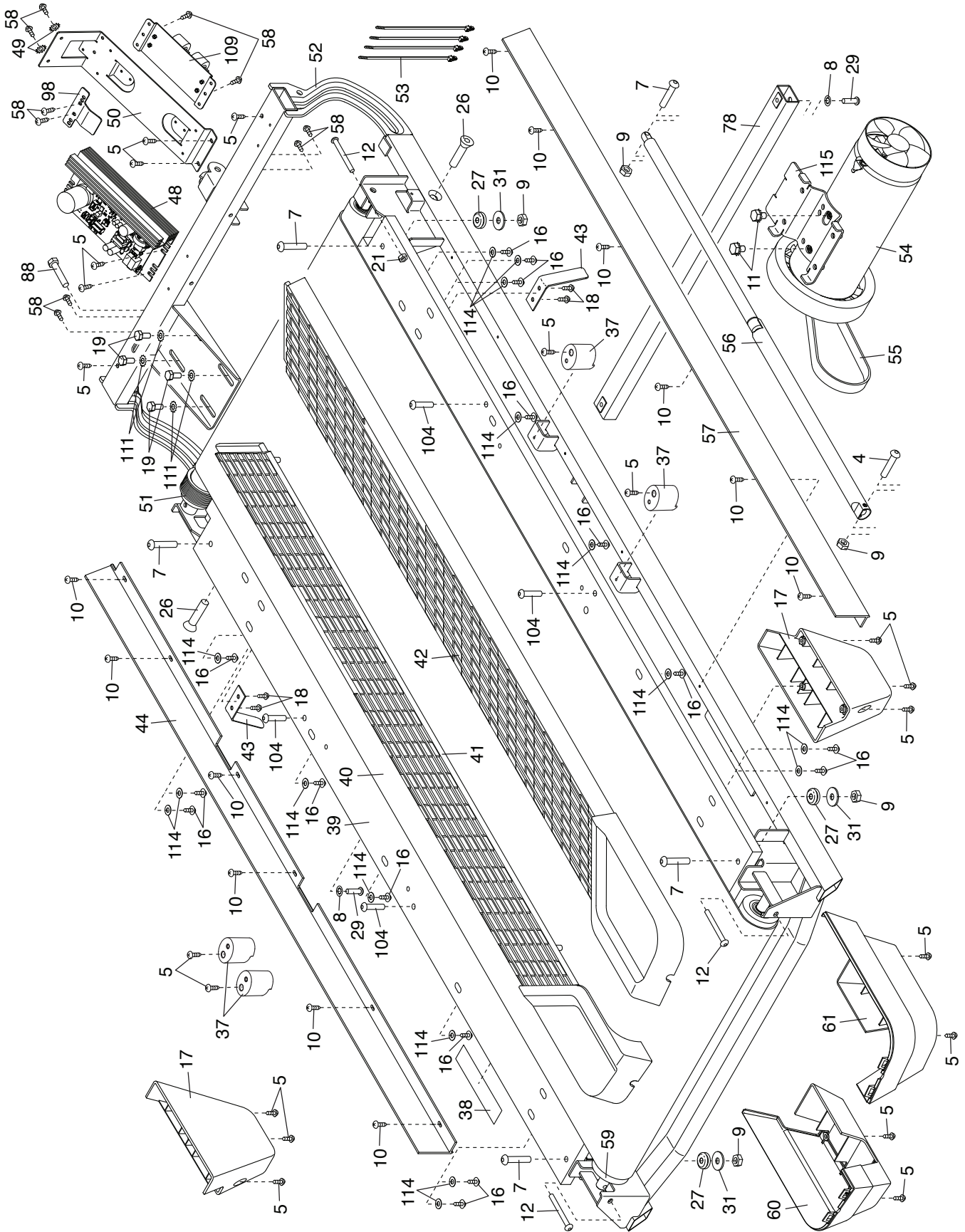
Key No.	Qty.	Description	Key No.	Qty.	Description
1	4	5/16" x 3/4" Screw	51	1	Drive Roller/Pulley
2	4	5/16" x 2" Screw	52	1	Frame
3	4	M4 x 16mm Screw	53	4	Tie
4	1	5/16" x 2 1/4" Bolt	54	1	Drive Motor
5	86	#8 x 3/4" Screw	55	1	Motor Belt
6	2	#10 x 3/4" Screw	56	1	Storage Latch
7	5	5/16" x 1 3/4" Bolt	57	1	Right Frame Cover
8	10	5/16" Star Washer	58	12	#8 x 1/2" Screw
9	6	5/16" Nut	59	1	Idler Roller
10	20	#8 x 3/4" Tek Screw	60	1	Left Rear Cap
11	2	5/16" Motor Screw	61	1	Right Rear Cap
12	3	1/4" x 2 1/2" Screw	62	1	Motor Hood
13	1	#8 x 1/2" Ground Screw	63	2	Incline Frame Spacer
14	1	3/8" x 1 1/2" Bolt	64	2	Frame Spacer
15	1	3/8" x 1 3/4" Bolt	65	1	Incline Frame
16	16	#8 x 3/4" Washer Head Screw	66	1	Incline Motor
17	2	Rear Foot	67	2	Incline Motor Spacer
18	4	#8 Belt Guide Screw	68	2	Hood Mount
19	4	M8 x 20mm Screw	69	1	Power Cord
20	4	3/8" x 1 1/4" Screw	70	1	Power Cord Grommet
21	1	1/4" Nut	71	1	Power Switch
22	2	3/8" x 1 3/8" Bolt	72	1	Belly Pan
23	4	3/8" x 2 3/4" Screw	73	1	Left Handrail Top Cover
24	18	#8 x 3/4" Truss Head Screw	74	2	Handrail
25	8	3/8" Star Washer	75	1	Left Handrail Bottom Cover
26	2	1/2" x 2 5/8" Bolt	76	1	Upright Crossbar
27	4	Rubber Cushion	77	2	1/4" Star Washer
28	2	3/8" x 1" Screw	78	1	Latch Crossbar
29	6	5/16" x 1 1/4" Screw	79	1	Key/Clip
30	1	Console Base	80	1	Pulse Crossbar
31	4	5/16" Flat Washer	81	1	Right Handrail Top Cover
32	1	Right Tray	82	1	Right Handrail Bottom Cover
33	1	Console Frame	83	1	Upright Wire
34	2	1/2" Nut	84	1	Right Upright
35	6	3/8" Nut	85	2	Caution Decal
36	5	Hood Clip	86	2	Grommet
37	4	Cushion	87	2	1/2" Bushing
38	1	Warning Decal	88	1	M8 x 75mm Screw
39	1	Walking Platform	89	1	Left Upright Cover
40	1	Walking Belt	90	1	Right Upright Cover
41	1	Left Foot Rail	91	1	Left Upright
42	1	Right Foot Rail	92	2	Rear Wheel
43	2	Belt Guide	93	1	Base
44	1	Left Frame Cover	94	1	Left Tray
45	4	3/8" Bushing	95	2	Fan
46	2	3/8" Thrust Washer	96	1	Console
47	2	1/2" Thrust Washer	97	1	Tray
48	1	Controller	98	1	Controller Clamp
49	2	#8 Star Washer	99	2	1/4" x 5/8" Screw
50	1	Controller Bracket	100	1	Tablet Holder

Key No.	Qty.	Description	Key No.	Qty.	Description
101	4	Base Pad	109	1	Filter
102	3	Console Wire Tie	110	1	Motor Hood Cover
103	1	Console Ground Wire	111	4	M8.4 Star Washer
104	4	1/4" x 1" Screw	112	1	Incline Stop Bracket
105	1	Pulse Bar	113	1	Wire Tie
106	1	Fan/Key Switch Housing	114	16	7/32" Washer
107	1	Fan Cover	115	1	Motor Bracket
108	2	Console Clamp	*	–	User's Manual

Note: Specifications are subject to change without notice. For information about ordering replacement parts, see the back cover of this manual. \*These parts are not illustrated.

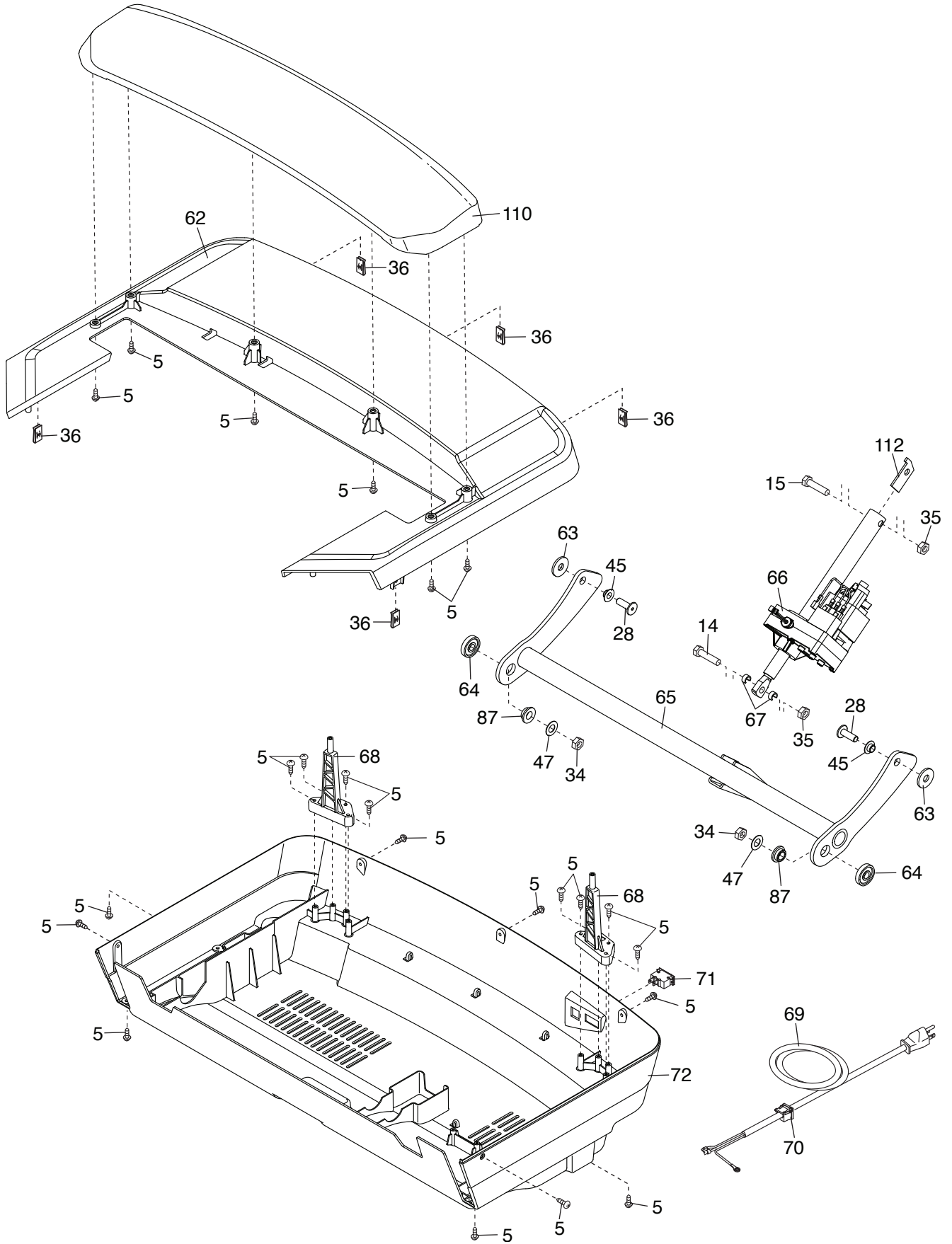
# EXPLODED DRAWING A

Model No. PFTL13118.4 R0719A



# EXPLODED DRAWING B

Model No. PFTL13118.4 R0719A





# EXPLODED DRAWING D

Model No. PFTL13118.4 R0719A

