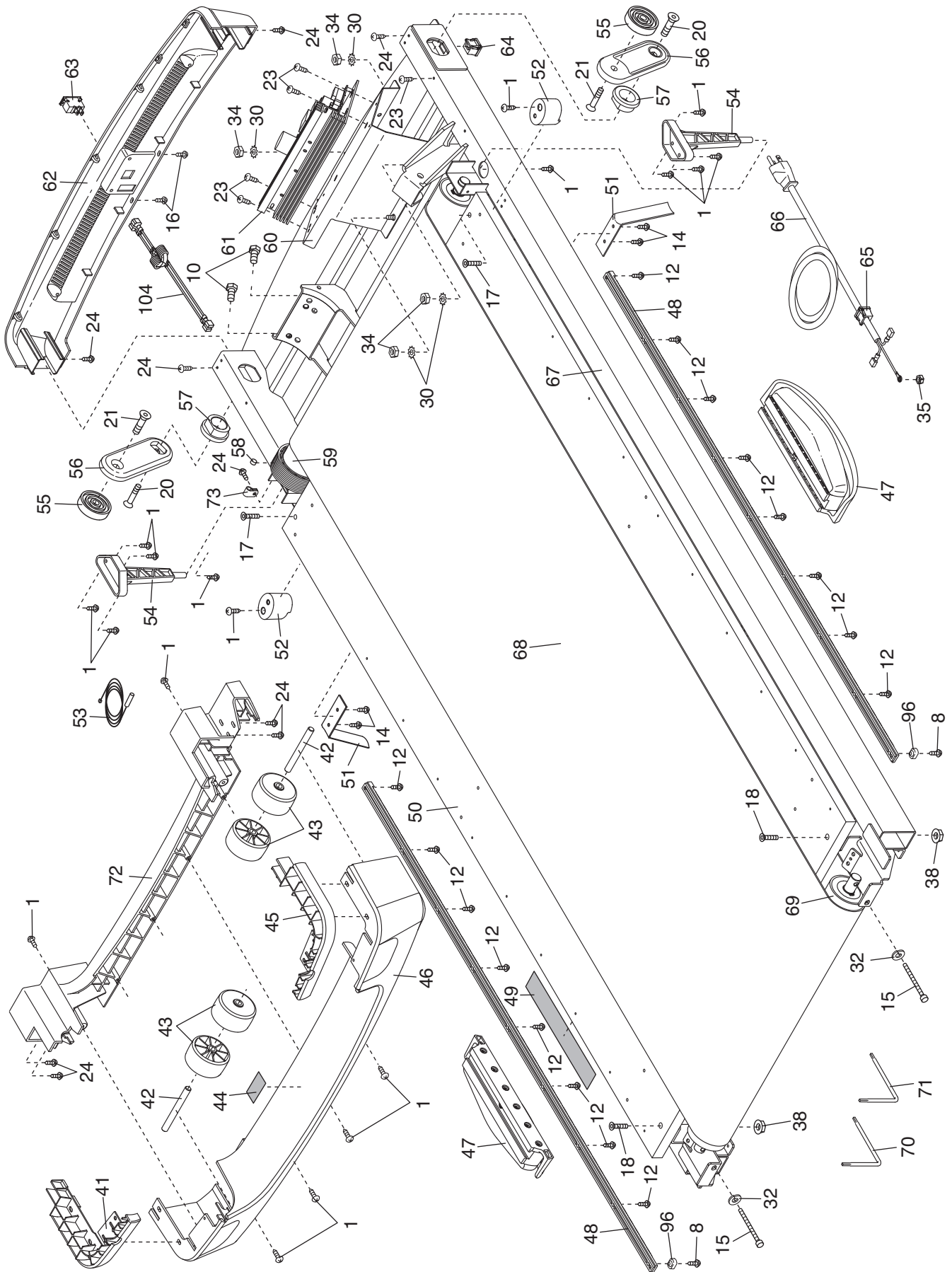


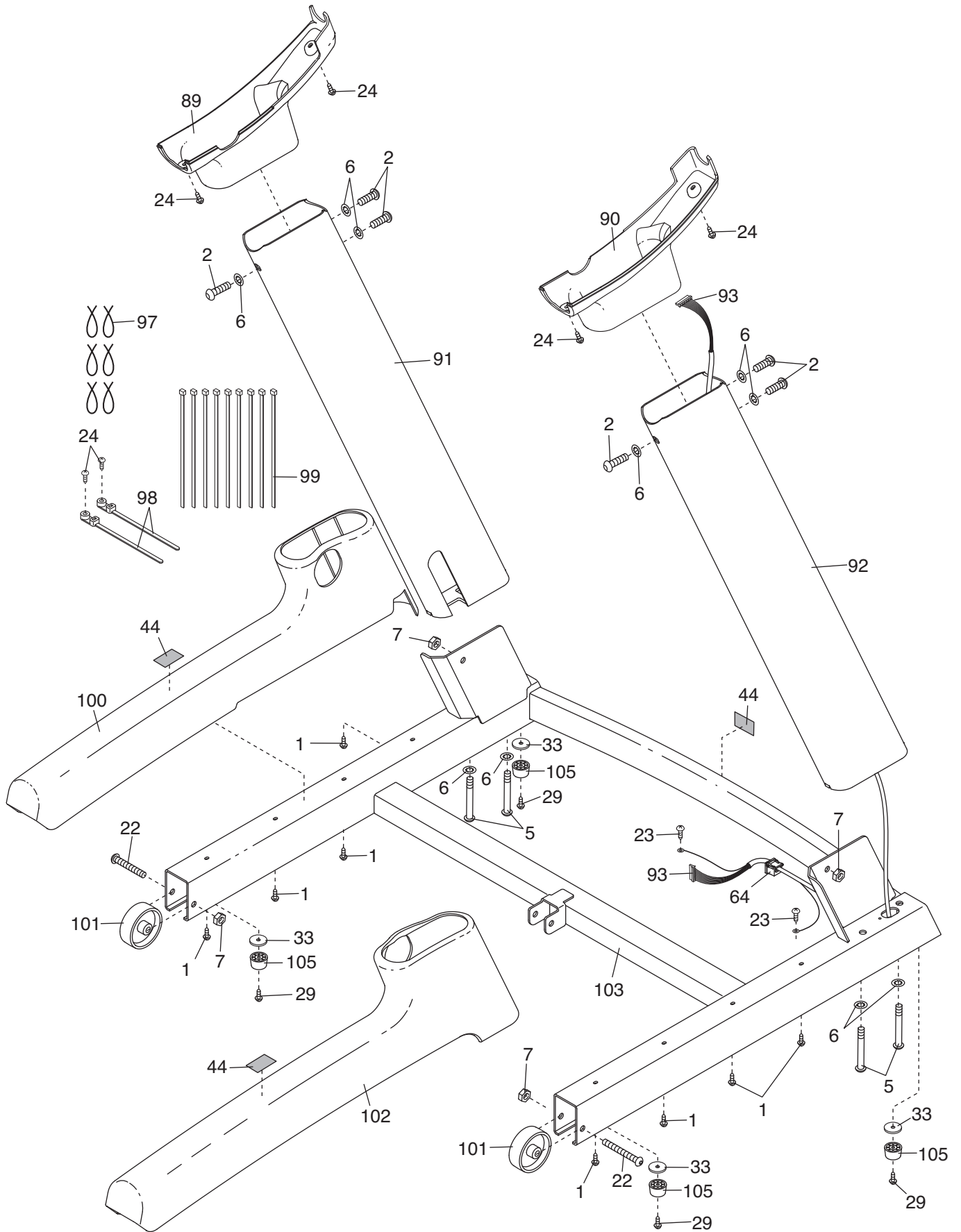
EXPLODED DRAWING A—Model No. PFTL13810.0

R1010A



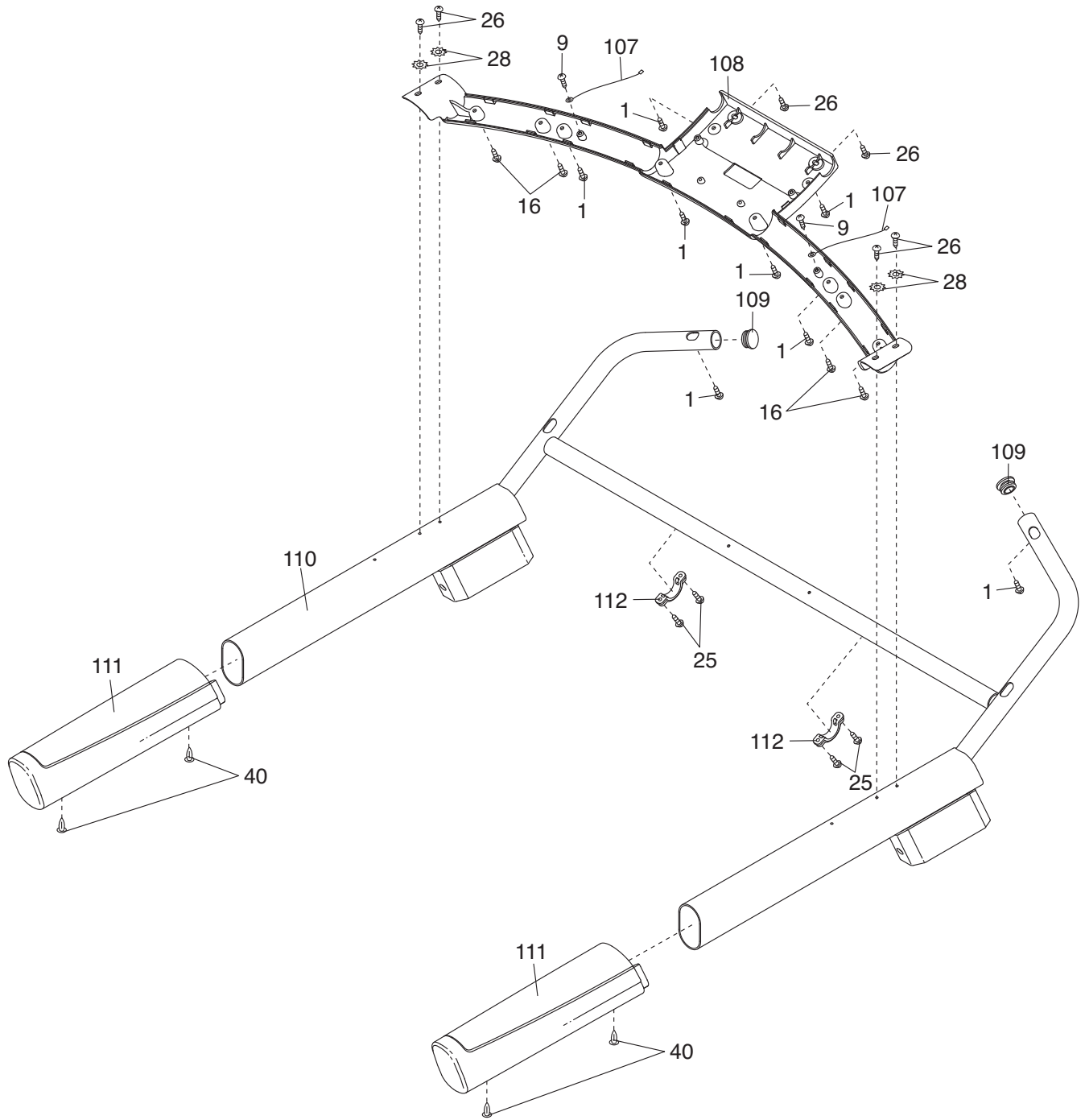
EXPLODED DRAWING C—Model No. PFTL13810.0

R1010A



EXPLODED DRAWING D—Model No. PFTL13810.0

R1010A



EXPLODED DRAWING E—Model No. PFTL13810.0

R1010A

