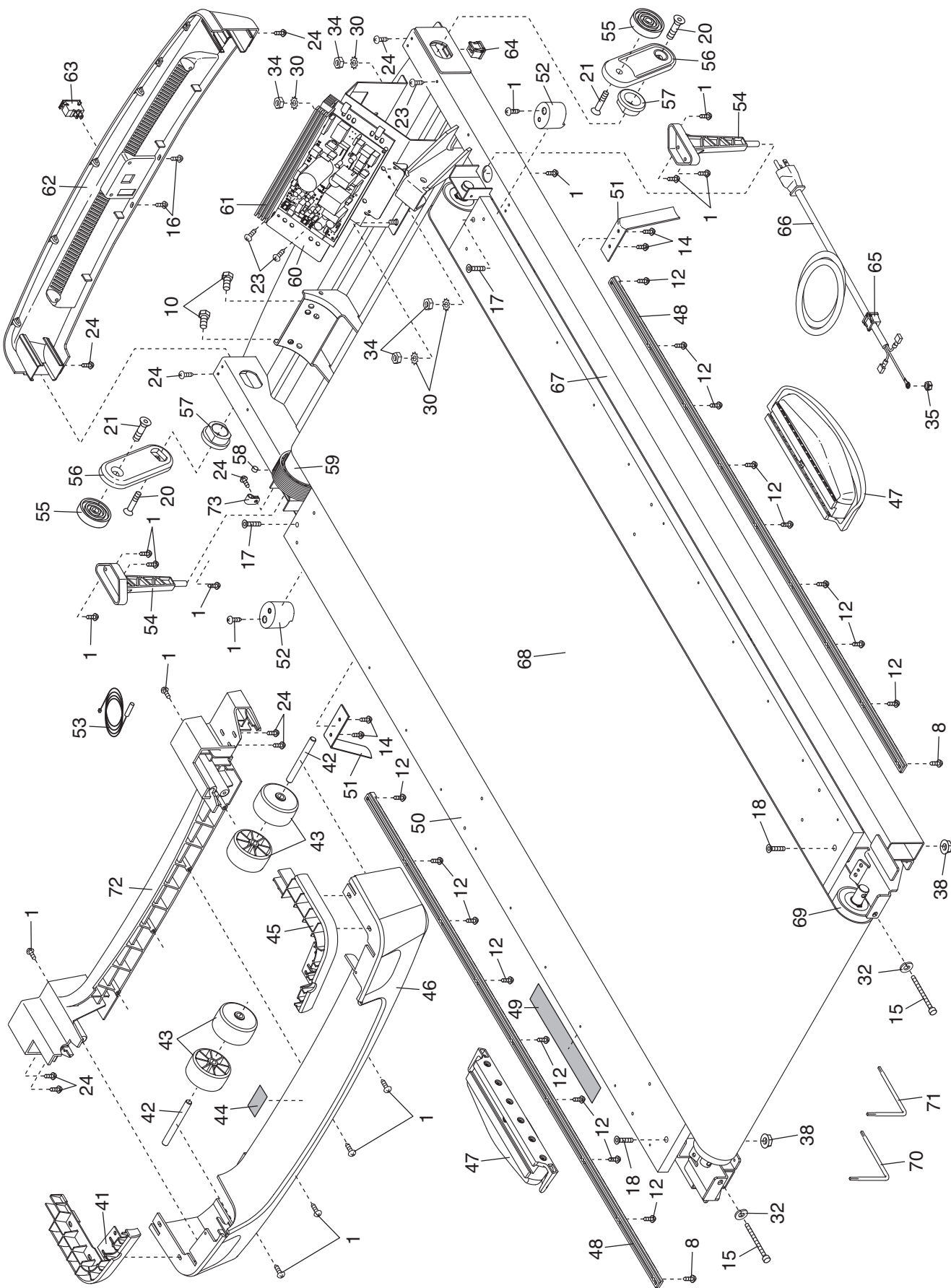


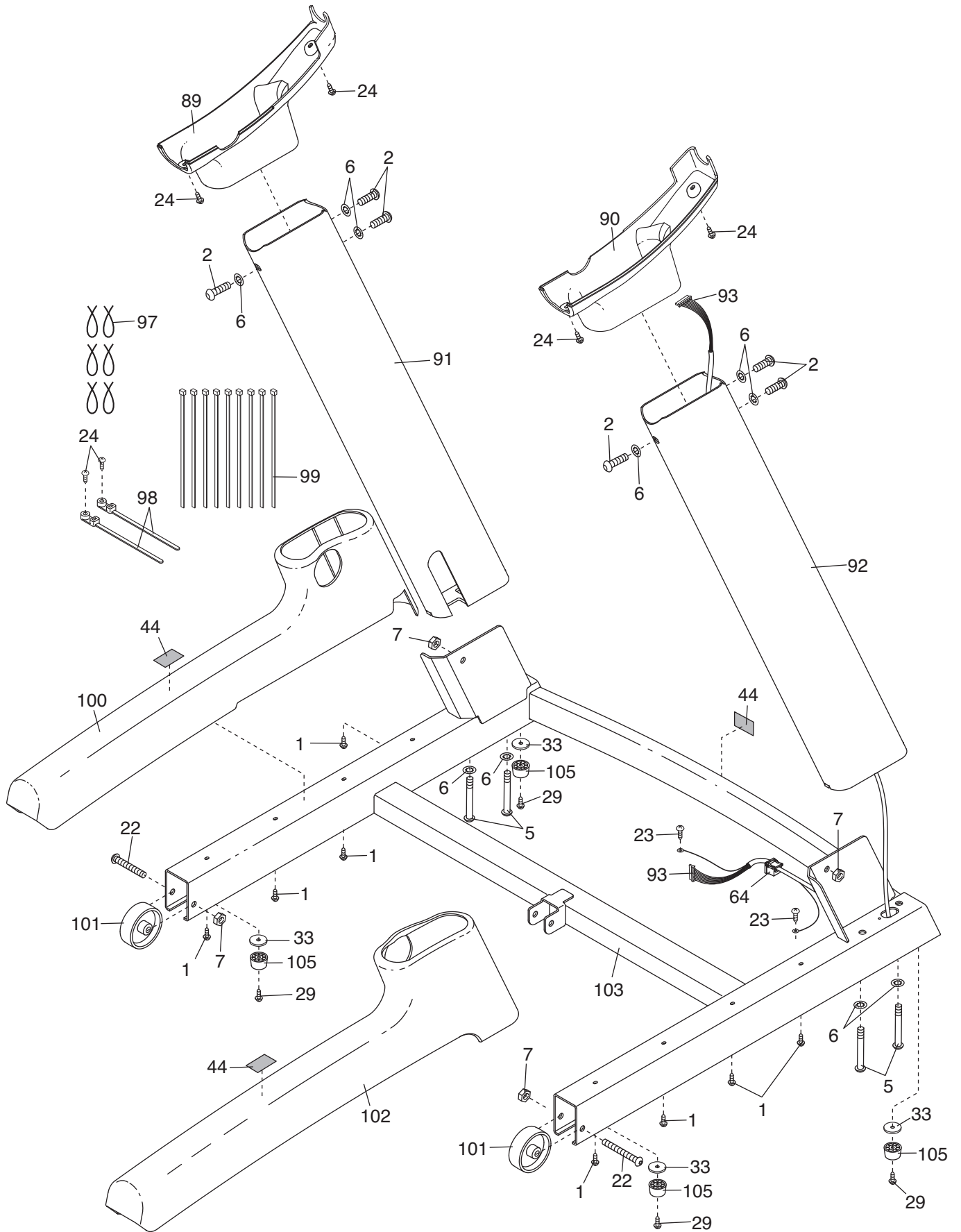
EXPLODED DRAWING A

Model No. PFTL15010.0 R1110A



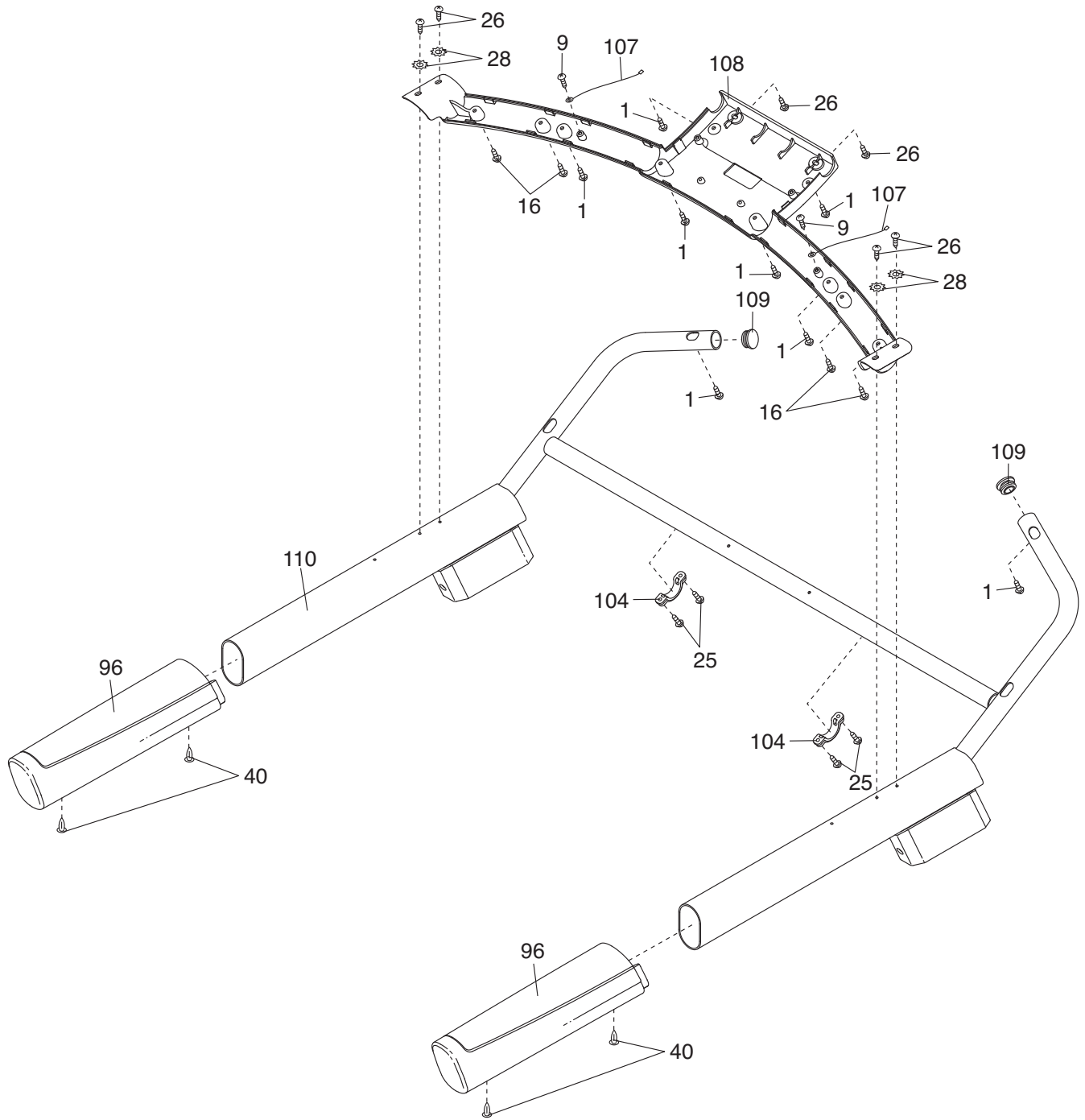
EXPLODED DRAWING C

Model No. PFTL15010.0 R1110A



EXPLODED DRAWING D

Model No. PFTL15010.0 R1110A



EXPLODED DRAWING E

Model No. PFTL15010.0 R1110A

