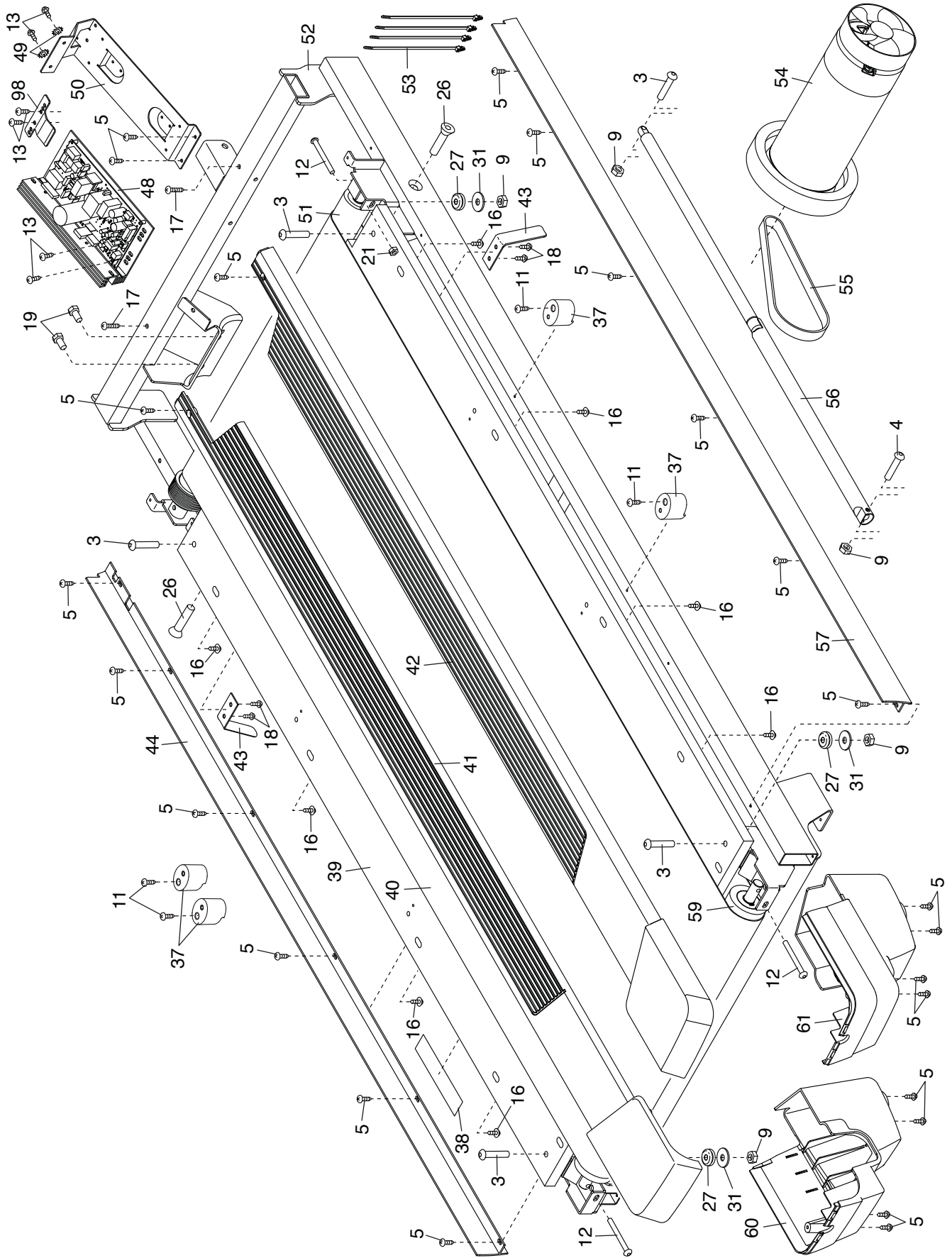


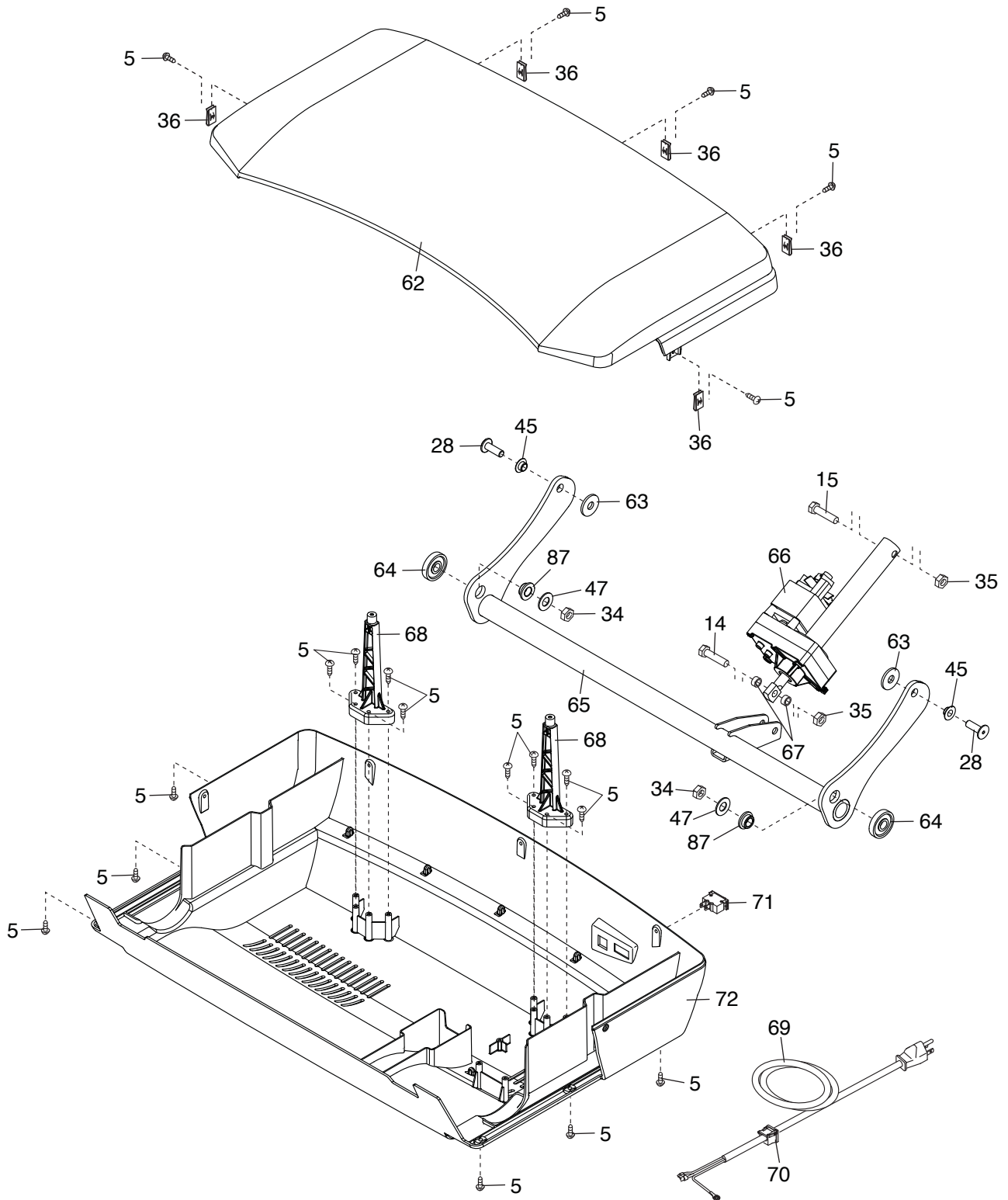
EXPLODED DRAWING A

Model No. PFTL15115.1 R0616A



EXPLODED DRAWING B

Model No. PFTL15115.1 R0616A



EXPLODED DRAWING D

Model No. PFTL15115.1 R0616A

