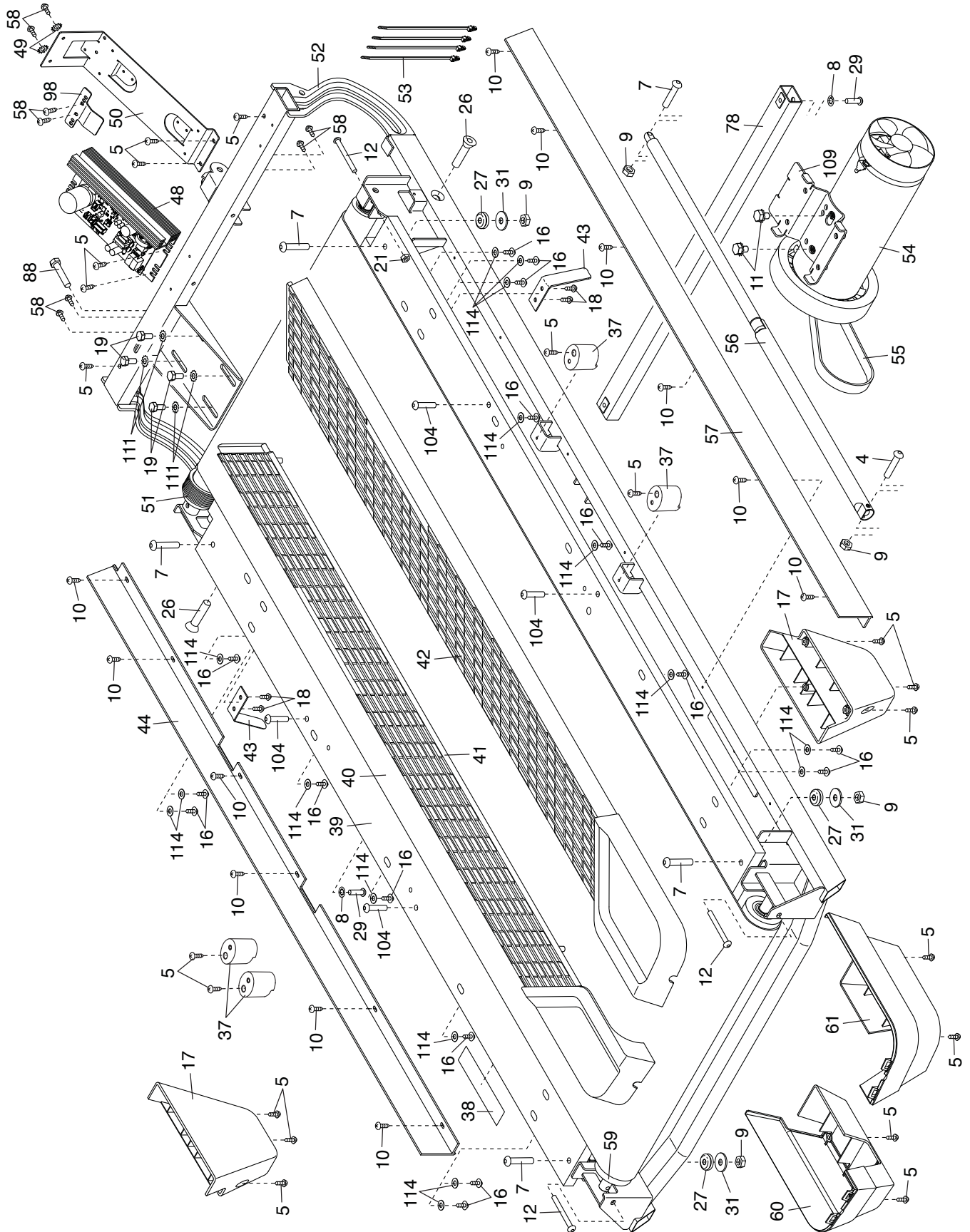


EXPLODED DRAWING A

Model No. PFTL15118.2 R1118A



EXPLODED DRAWING B

Model No. PFTL15118.2 R1118A

