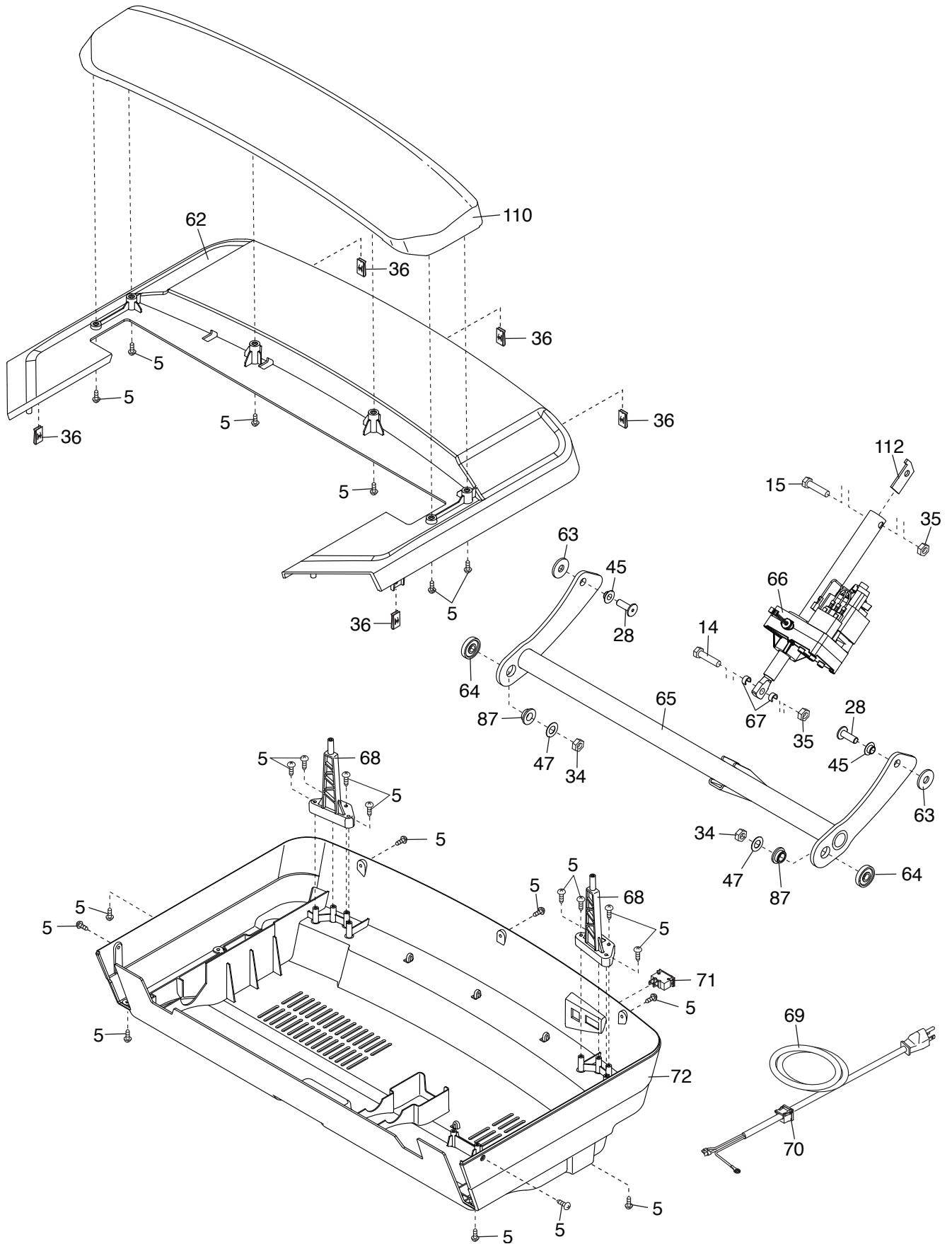


EXPLODED DRAWING B

Model No. PFTL15118.4 R0619A



EXPLODED DRAWING D

Model No. PFTL15118.4 R0619A

