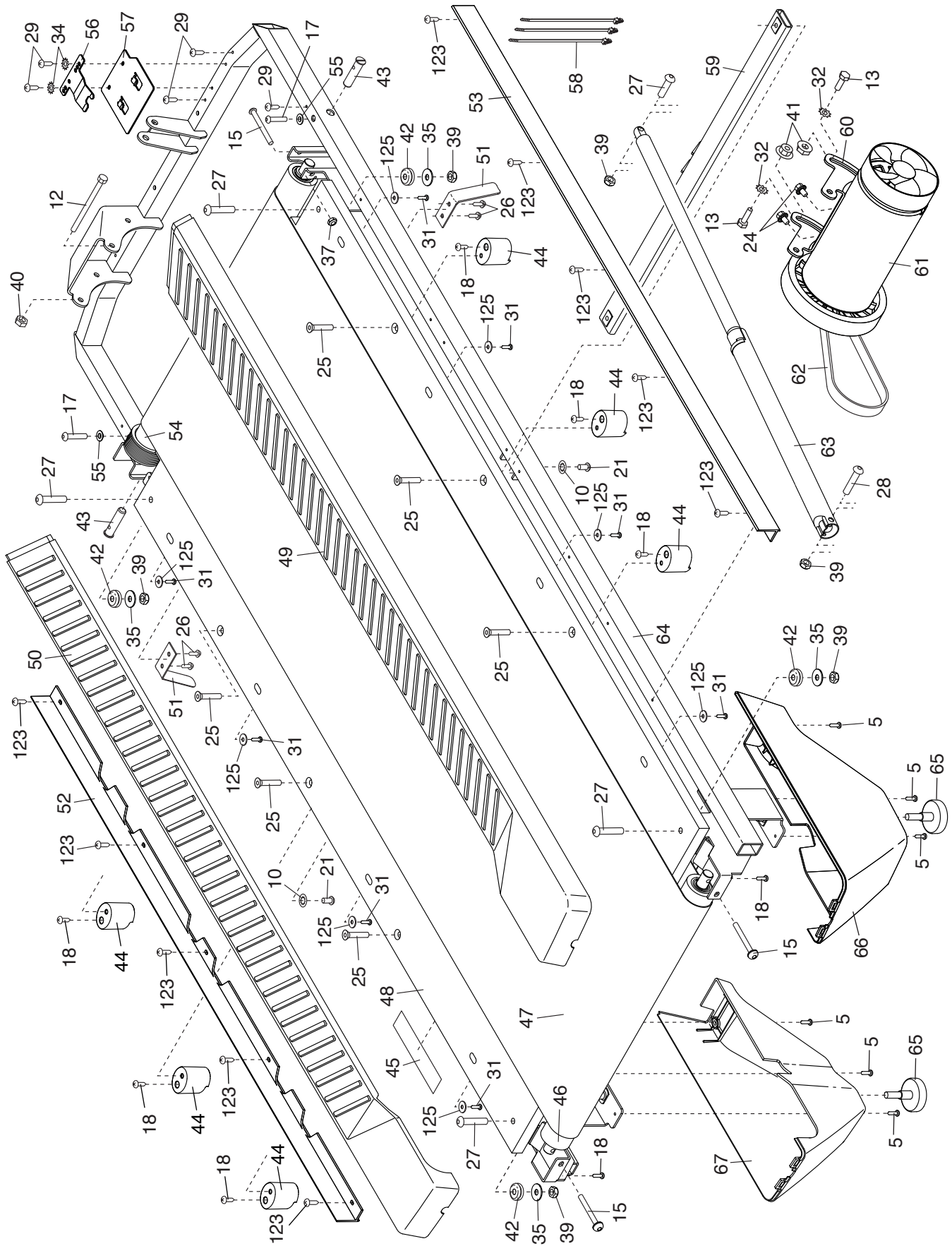


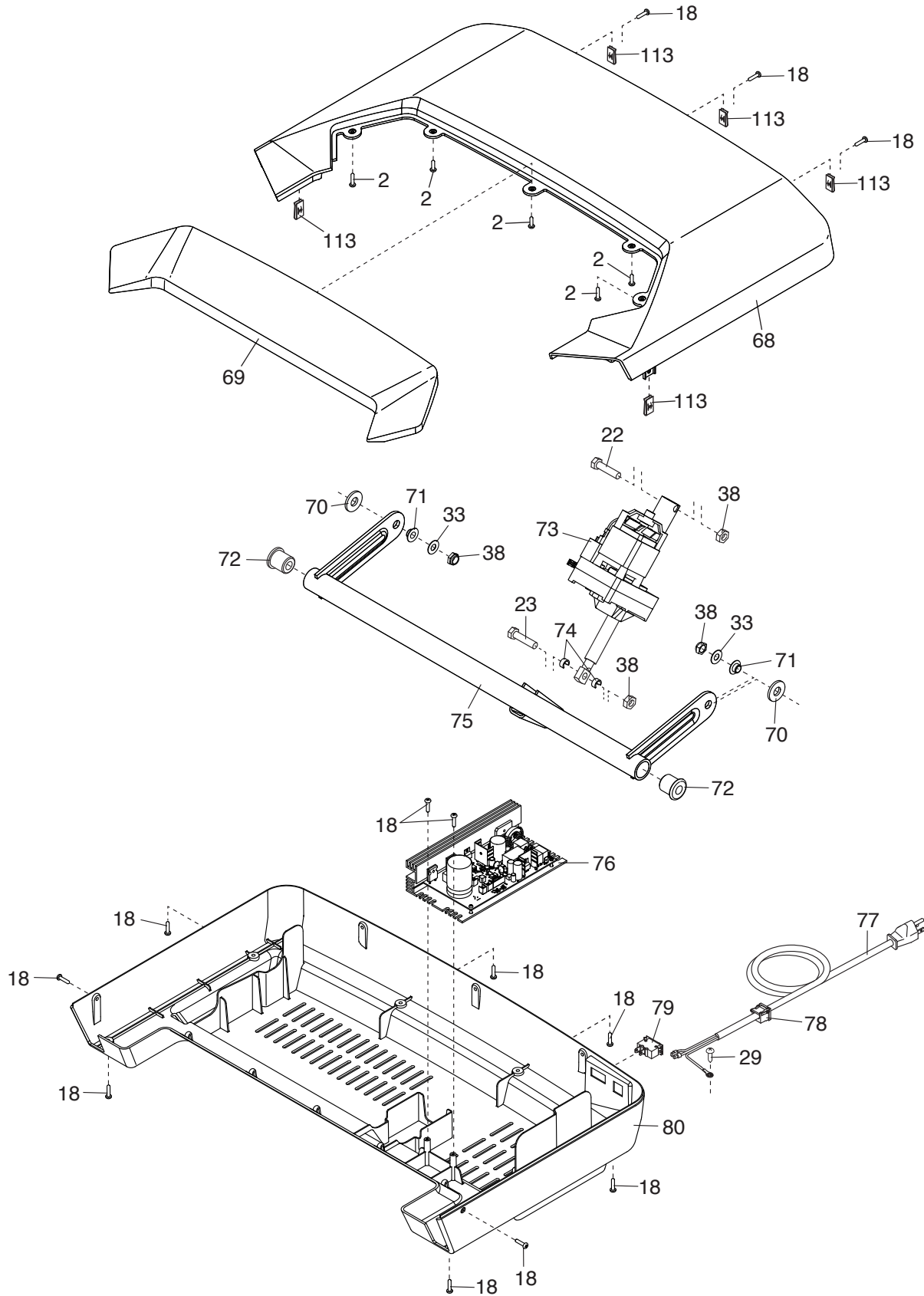
EXPLODED DRAWING A

Model No. PFTL15820.1 R0722B



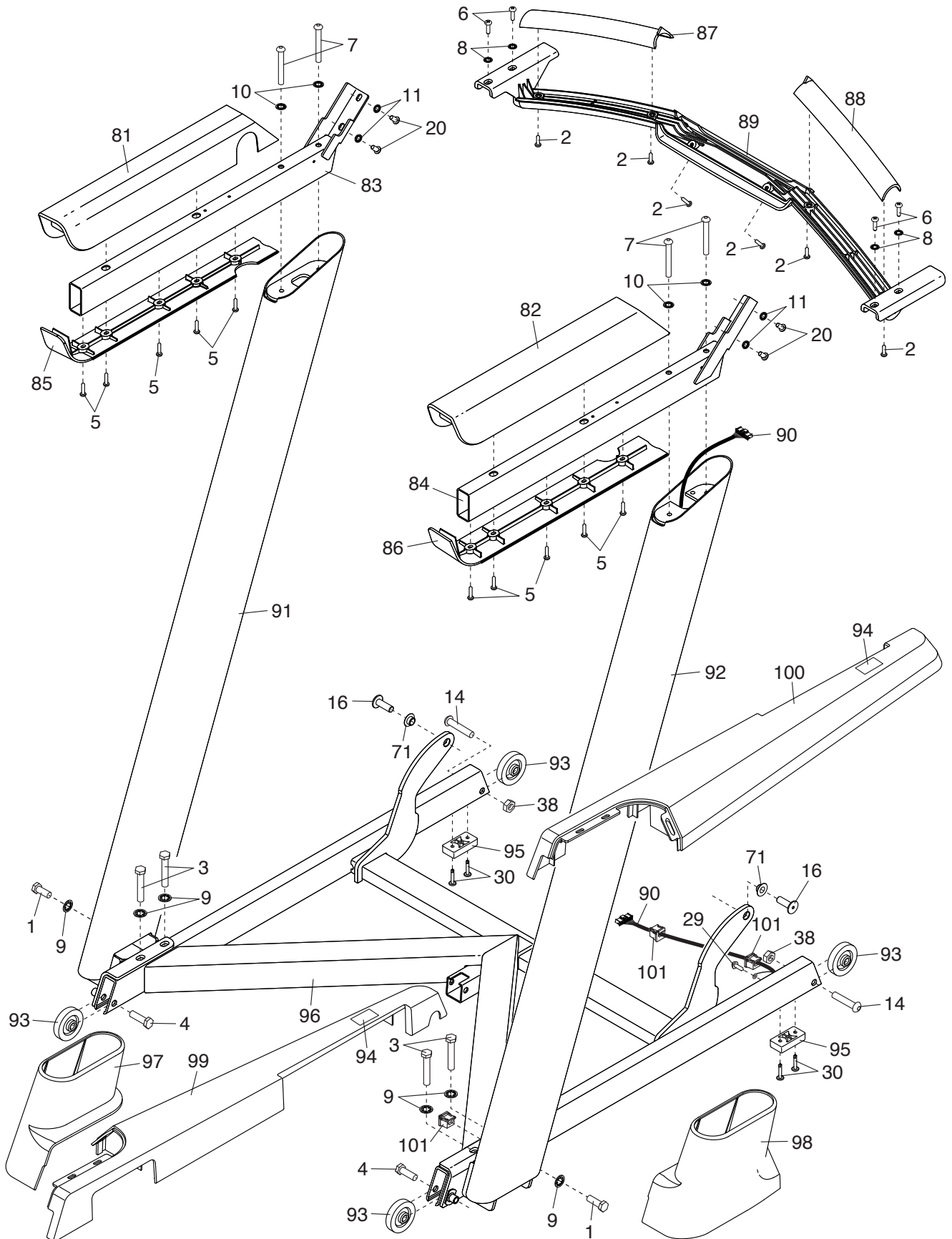
EXPLODED DRAWING B

Model No. PFTL15820.1 R0722B



EXPLODED DRAWING C

Model No. PFTL15820.1 R0722B



EXPLODED DRAWING D

Model No. PFTL15820.1 R0722B

