

# PART LIST

Model No. PFTL15820.2 R0421A

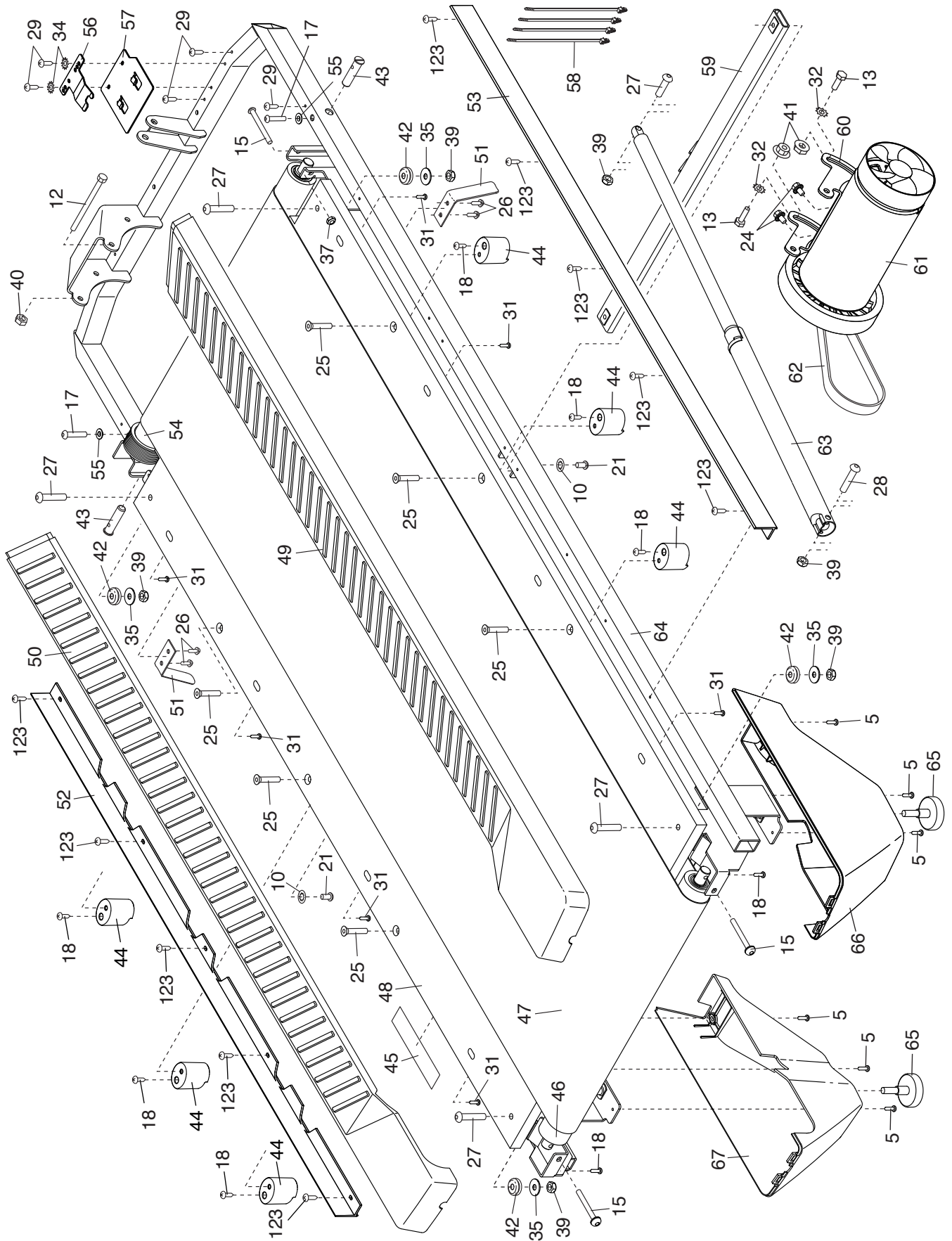
Key No.	Qty.	Description	Key No.	Qty.	Description
1	2	3/8" x 1 1/4" Screw	51	2	Belt Guide
2	23	#8 x 1/2" Screw	52	1	Left Frame Cover
3	4	3/8" x 2 3/8" Screw	53	1	Right Frame Cover
4	2	3/8" x 1 3/4" Screw	54	1	Drive Roller/Pulley
5	16	#8 x 3/4" Screw	55	2	9/32" Plastic Spacer
6	4	#10 x 3/4" Screw	56	1	Controller Clamp
7	4	5/16" x 2 1/2" Screw	57	1	Controller Plate
8	4	#10 Star Washer	58	4	Plastic Tie
9	6	3/8" Star Washer	59	1	Latch Crossbar
10	6	5/16" Star Washer	60	1	Motor Bracket
11	4	1/4" Star Washer	61	1	Drive Motor
12	1	M8 x 102mm Bolt	62	1	Motor Belt
13	2	M8 x 20mm Screw	63	1	Storage Latch
14	2	3/8" x 1 3/8" Bolt	64	1	Frame
15	3	1/4" x 2 1/2" Screw	65	2	Rear Foot
16	2	3/8" 1 1/8" Screw	66	1	Right Rear Cover
17	2	1/4" x 1/14" Screw	67	1	Left Rear Cover
18	33	#8 x 3/4" Pan Head Screw	68	1	Motor Hood
19	1	#8 x 1/2" Ground Screw	69	1	Hood Accent
20	4	1/4" x 1/2" Screw	70	2	Incline Frame Spacer
21	2	5/16" x 3/4" Screw	71	4	3/8" Plastic Bushing
22	1	3/8" x 1 3/4" Bolt	72	2	Frame Spacer
23	1	3/8" x 1 1/2" Bolt	73	1	Incline Motor
24	2	5/16" Motor Screw	74	2	Incline Motor Spacer
25	6	1/4" x 1" Screw	75	1	Incline Frame
26	4	#8 Belt Guide Screw	76	1	Controller
27	5	5/16" x 1 3/4" Bolt	77	1	Power Cord
28	1	5/16" x 2 1/4" Bolt	78	1	Power Cord Grommet
29	6	#8 x 1/2" Washer Head Screw	79	1	Power Switch
30	4	#8 x 1" Tek Screw	80	1	Belly Pan
31	8	#8 x 5/8" Screw	81	1	Left Top Handrail Cover
32	2	M8.4 Star Washer	82	1	Right Top Handrail Cover
33	2	3/8" Washer	83	1	Left Handrail
34	2	#8 Star Washer	84	1	Right Handrail
35	4	5/16" Flat Washer	85	1	Left Bottom Handrail Cover
36	8	#8 x 3/8" Screw	86	1	Right Bottom Handrail Cover
37	1	1/4" Nut	87	1	Left Crossbar Cover
38	6	3/8" Nut	88	1	Right Crossbar Cover
39	6	5/16" Nut	89	1	Crossbar
40	1	M8 Nut	90	1	Upright Wire
41	2	M8 Flange Nut	91	1	Left Upright
42	4	Rubber Cushion	92	1	Right Upright
43	2	Straight Pin	93	4	Wheel
44	6	Cushion	94	2	Caution Decal
45	1	Warning Decal	95	2	Base Pad
46	1	Idler Roller	96	1	Base
47	1	Walking Belt	97	1	Left Base Cover
48	1	Walking Platform	98	1	Right Base Cover
49	1	Right Foot Rail	99	1	Left Inner Base Cover
50	1	Left Foot Rail	100	1	Right Inner Base Cover

Key No.	Qty.	Description	Key No.	Qty.	Description
101	3	Grommet	113	5	Hood Clip
102	1	Console	114	1	5/16" x 3 1/4" Bolt
103	1	Console Base	115	1	5/16" Jam Nut
104	1	Left Tray	116	2	Large Metal Bushing
105	1	Right Tray	117	2	Large Plastic Bushing
106	4	Fan Screw	118	1	Console Pivot Plate
107	1	Fan	119	1	Wire Cover
108	2	Console Frame Cap	120	1	Quick Control Console
109	1	Console Frame	121	1	Console Frame Plate
110	1	Console Ground Wire	122	1	Console Cover
111	3	Cable Tie	123	10	#8 x 3/4" Tek Screw
112	1	Key Clip	*	–	User's Manual

Note: Specifications are subject to change without notice. For information about ordering replacement parts, see the back cover of this manual. \*These parts are not illustrated.

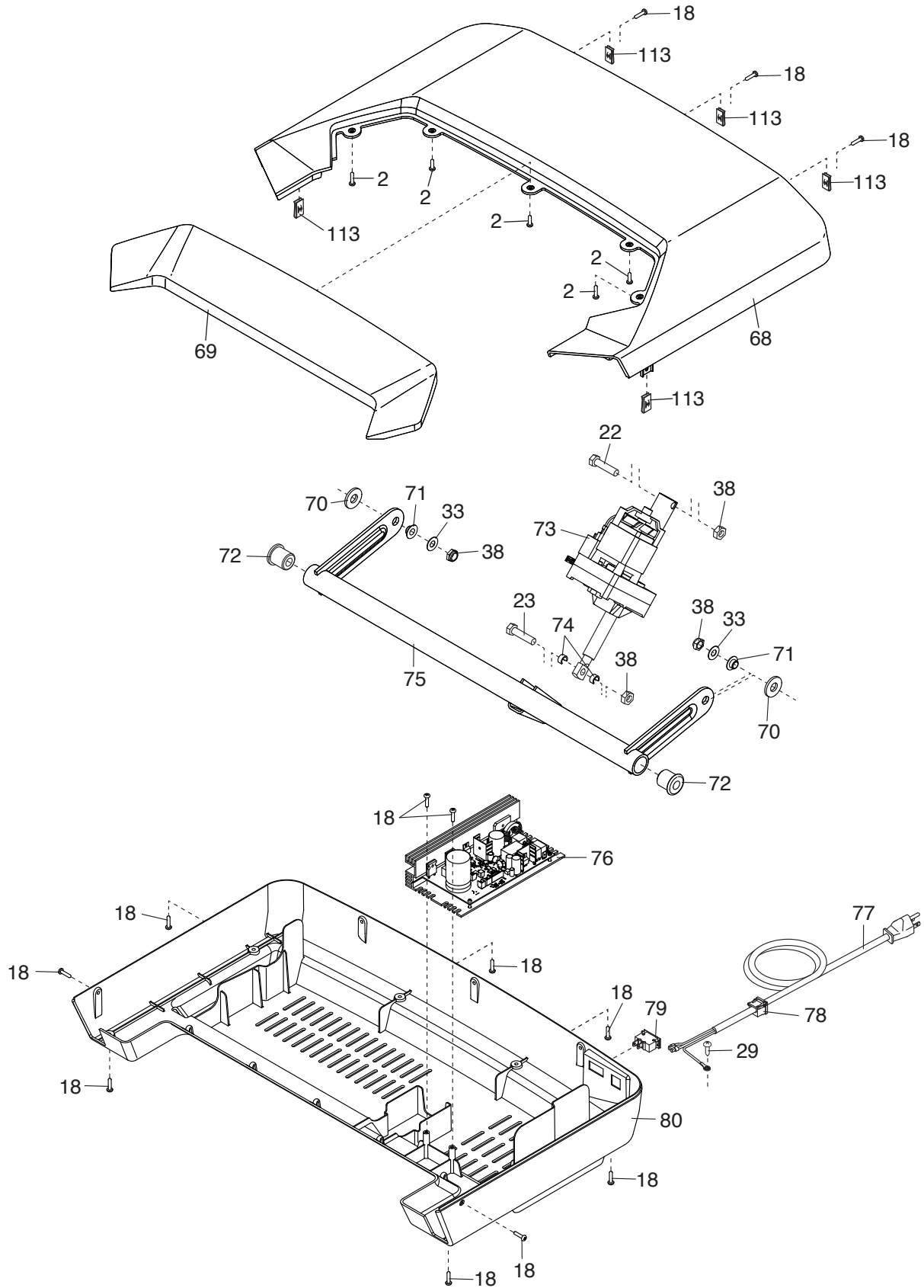
# EXPLODED DRAWING A

Model No. PFTL15820.2 R0421A



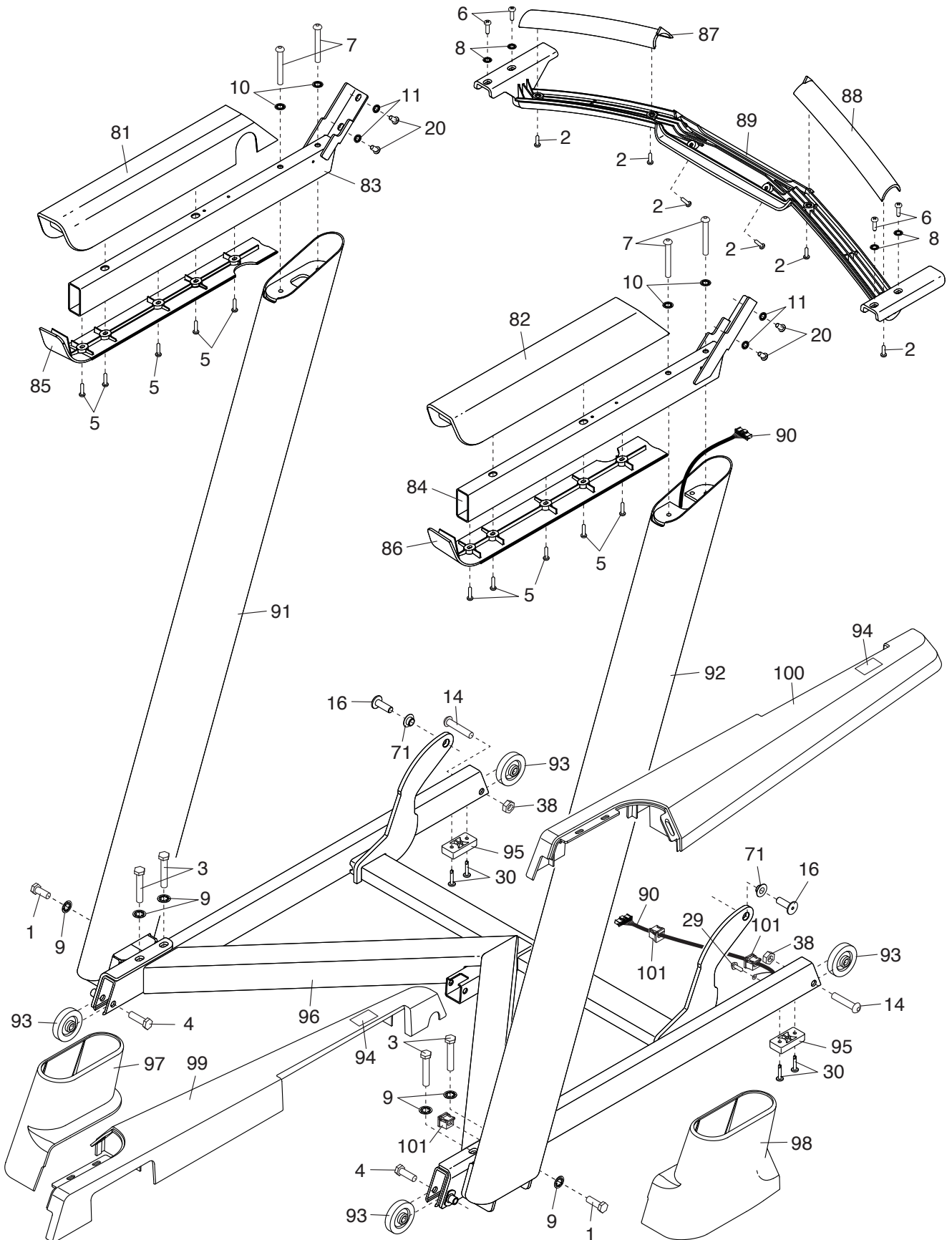
# EXPLODED DRAWING B

Model No. PFTL15820.2 R0421A



# EXPLODED DRAWING C

Model No. PFTL15820.2 R0421A



# EXPLODED DRAWING D

Model No. PFTL15820.2 R0421A

