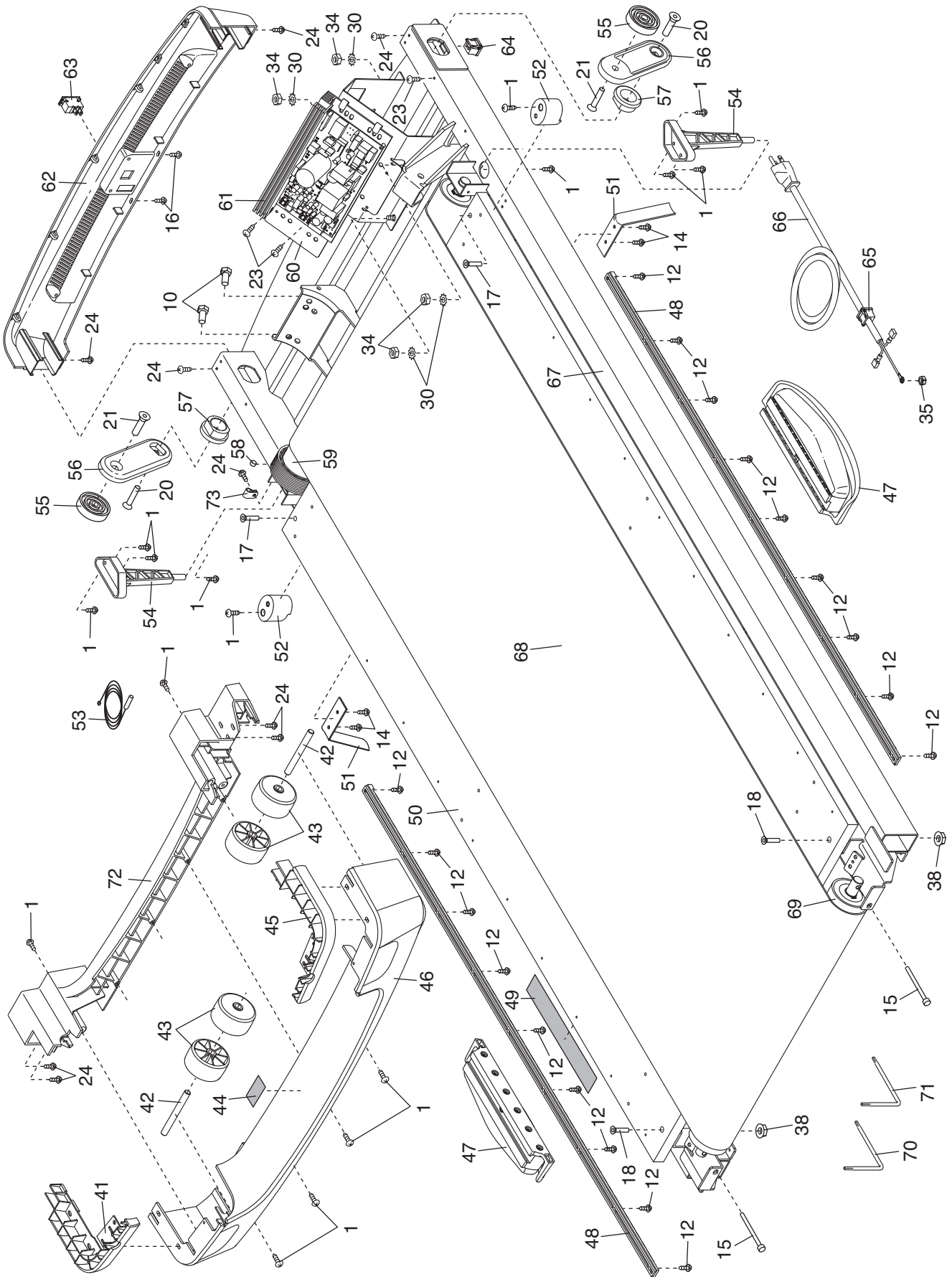


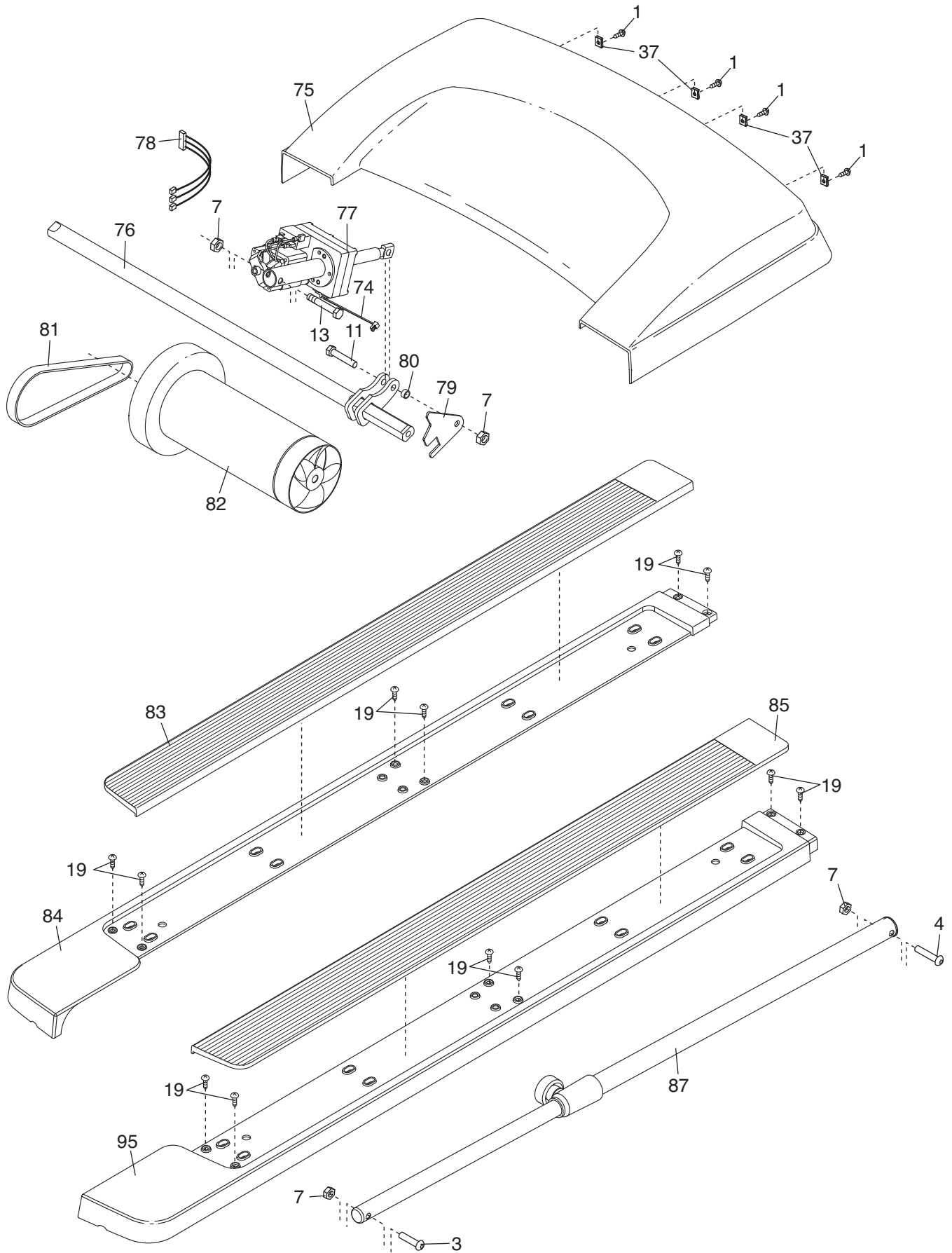
# EXPLODED DRAWING A

Model No. PFTL16010.0 R1210A



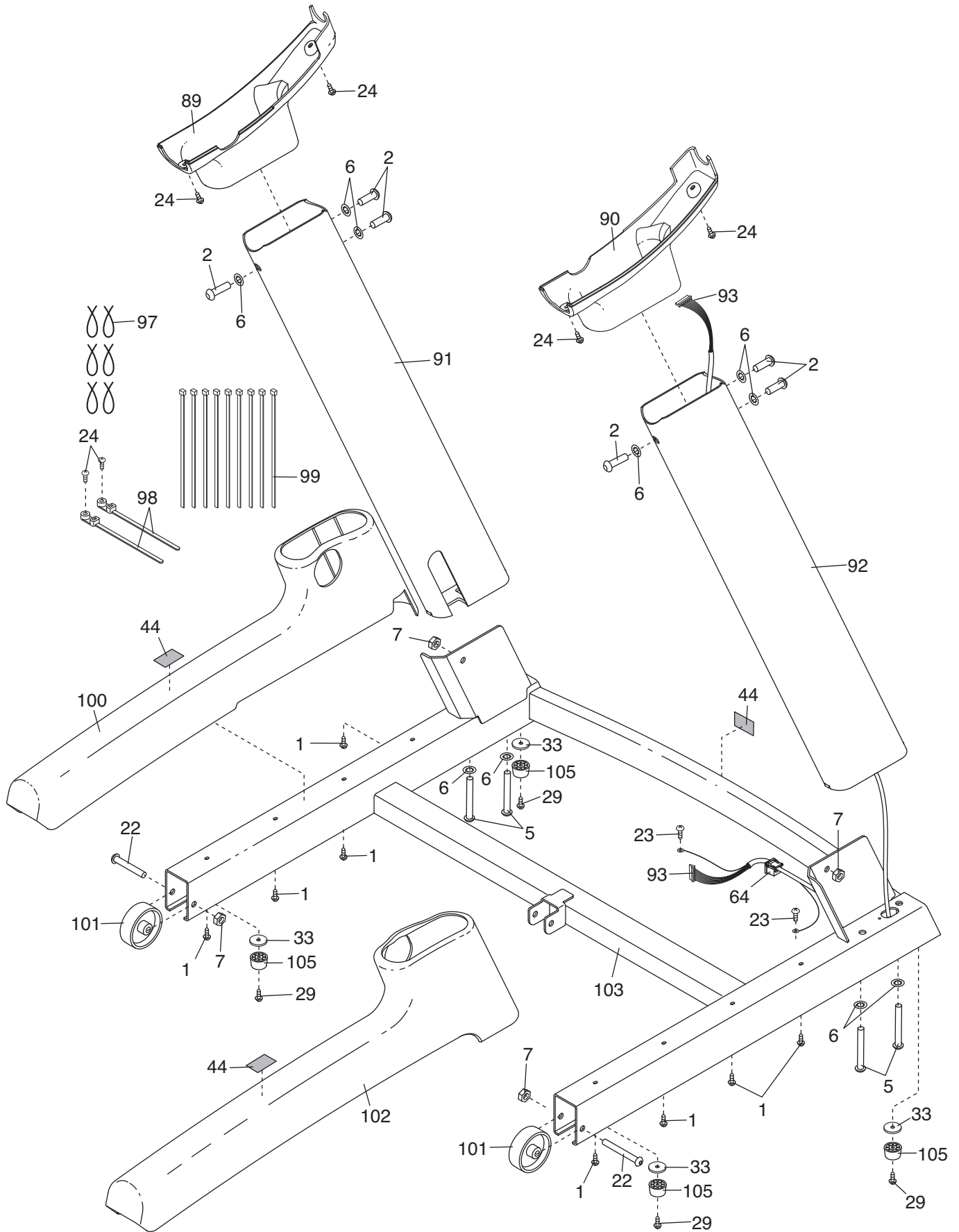
# EXPLODED DRAWING B

Model No. PFTL16010.0 R1210A



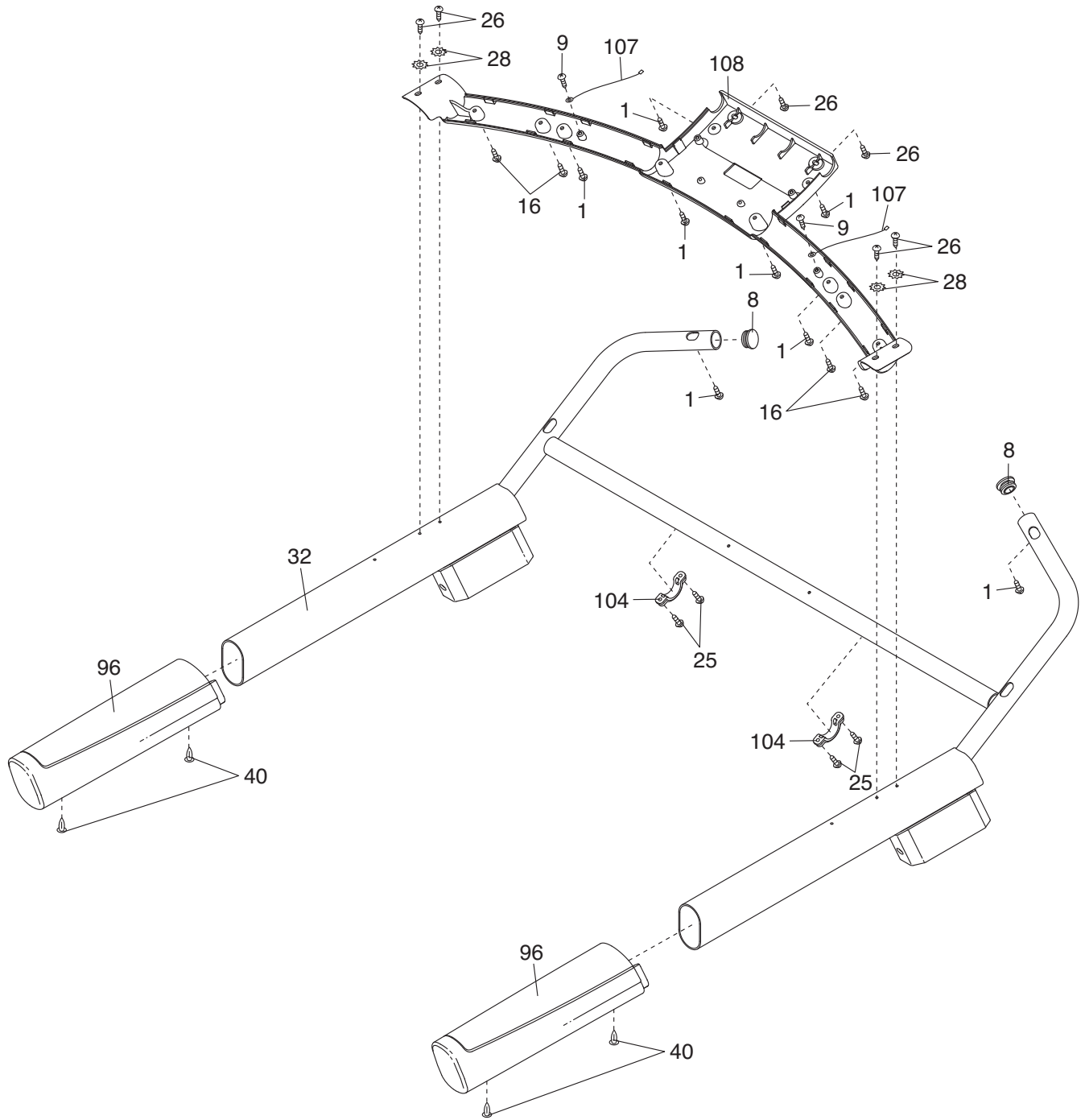
# EXPLODED DRAWING C

Model No. PFTL16010.0 R1210A



# EXPLODED DRAWING D

Model No. PFTL16010.0 R1210A



# EXPLODED DRAWING E

Model No. PFTL16010.0 R1210A

