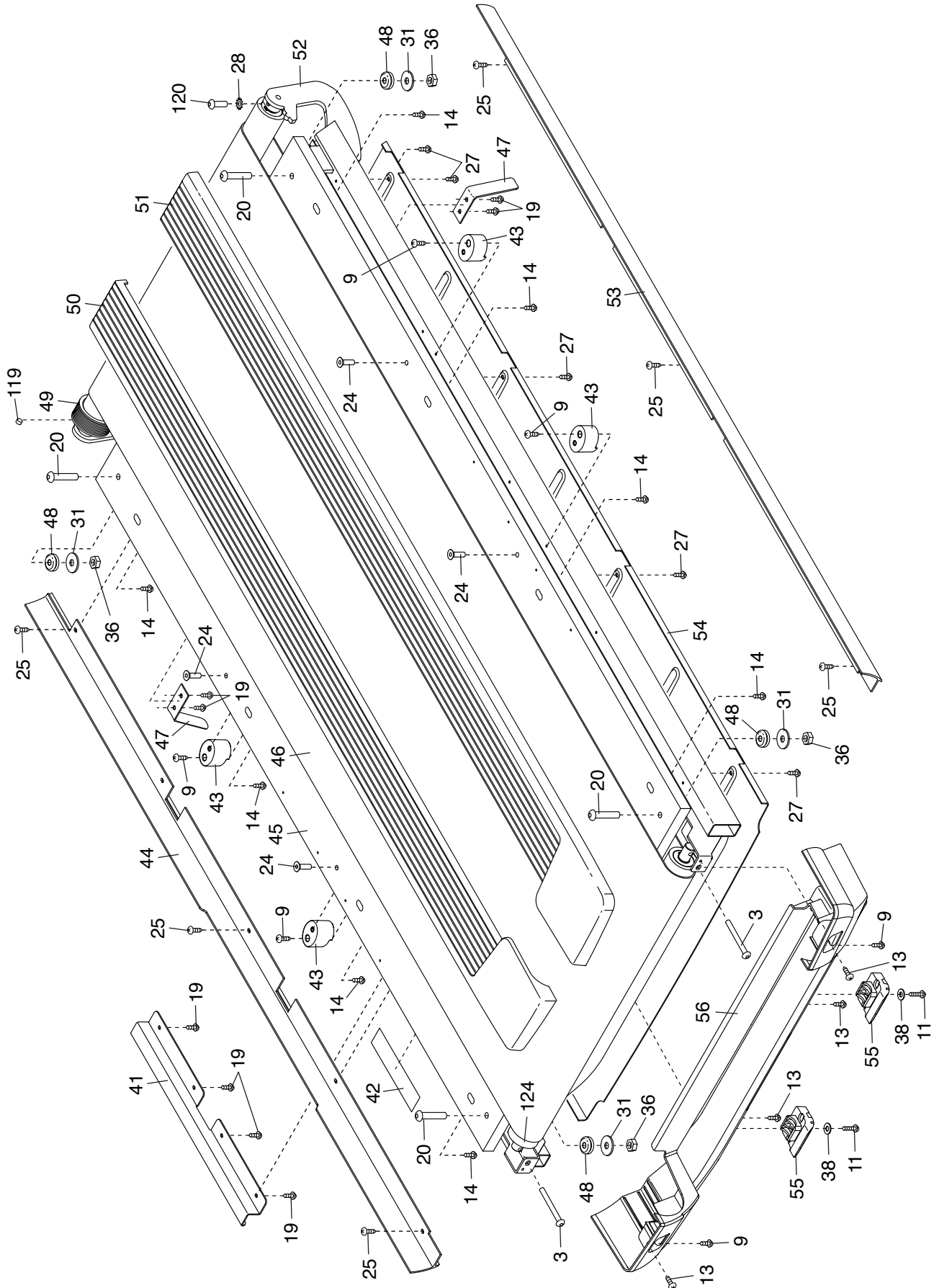


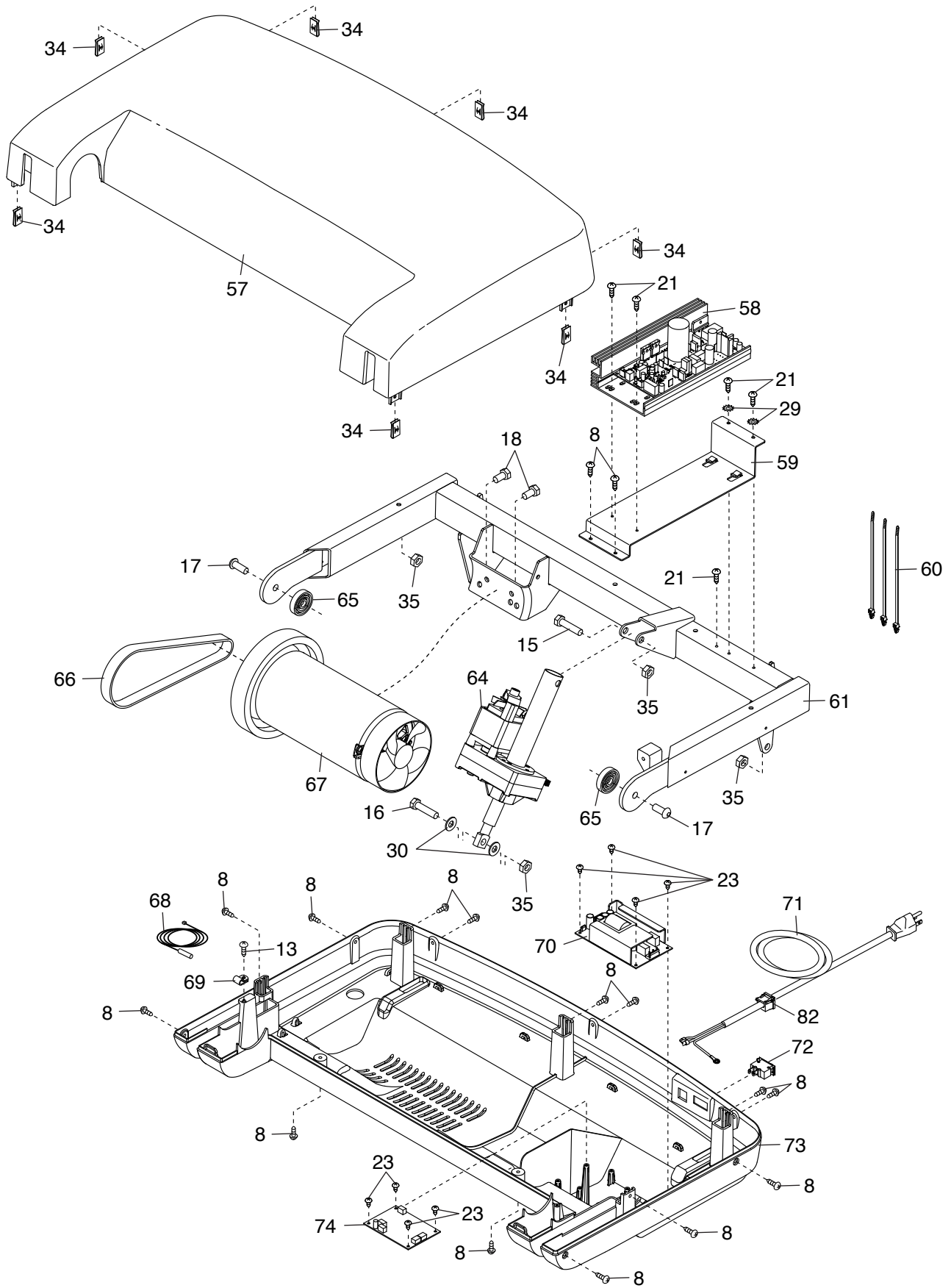
EXPLODED DRAWING A

Model No. PFTL17014.2 R0215A



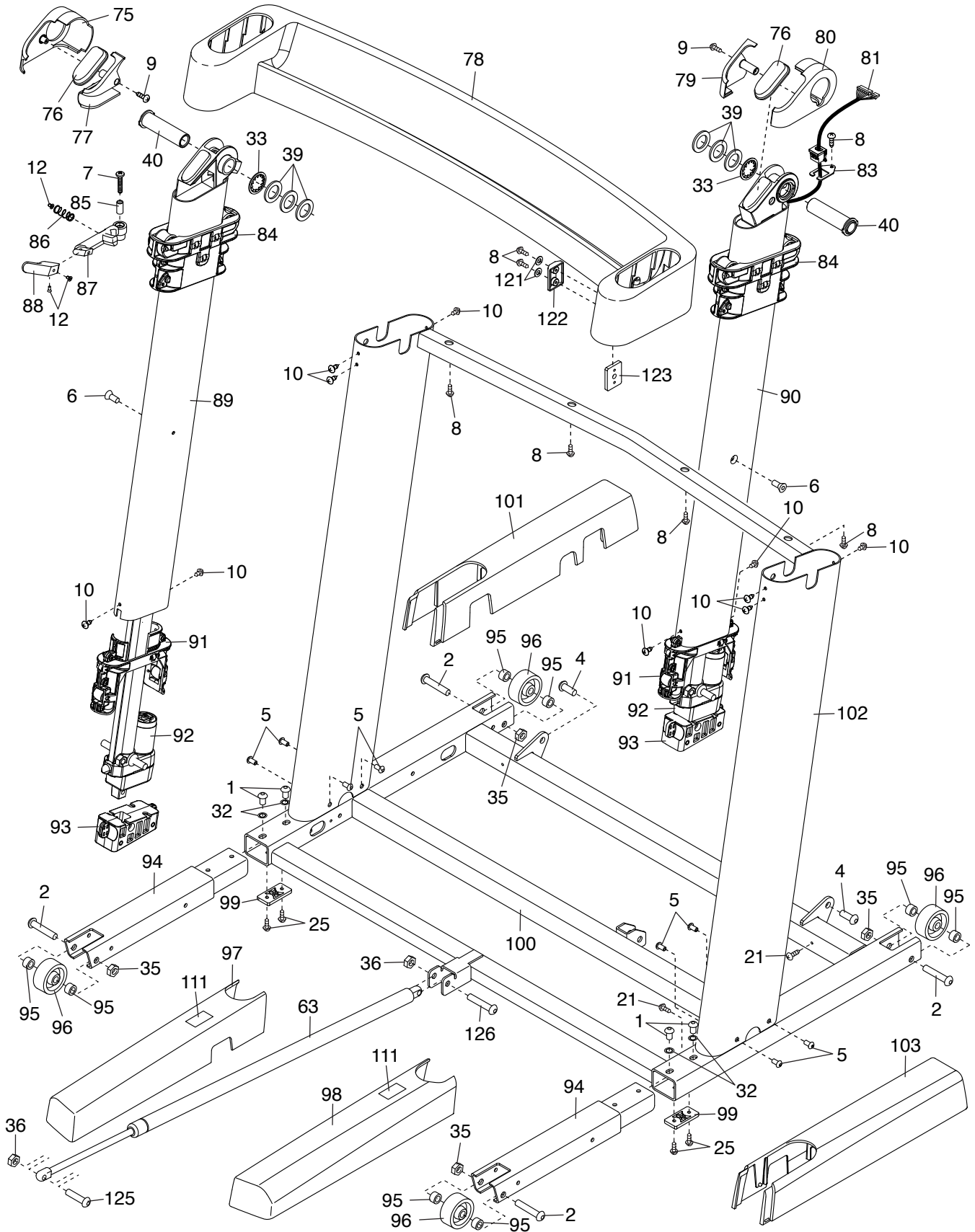
EXPLODED DRAWING B

Model No. PFTL17014.2 R0215A



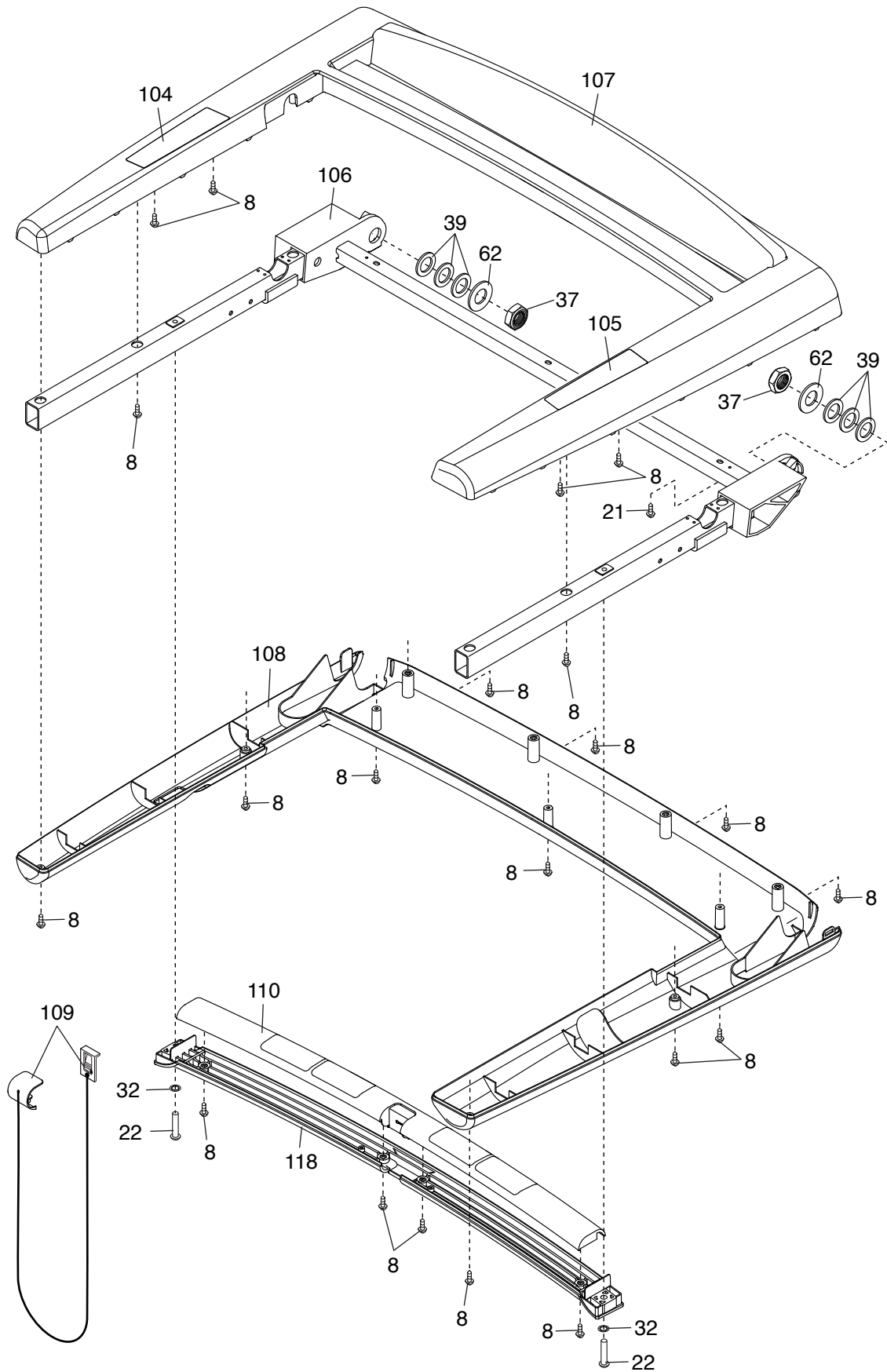
EXPLODED DRAWING C

Model No. PFTL17014.2 R0215A



EXPLODED DRAWING D

Model No. PFTL17014.2 R0215A



EXPLODED DRAWING E

Model No. PFTL17014.2 R0215A

