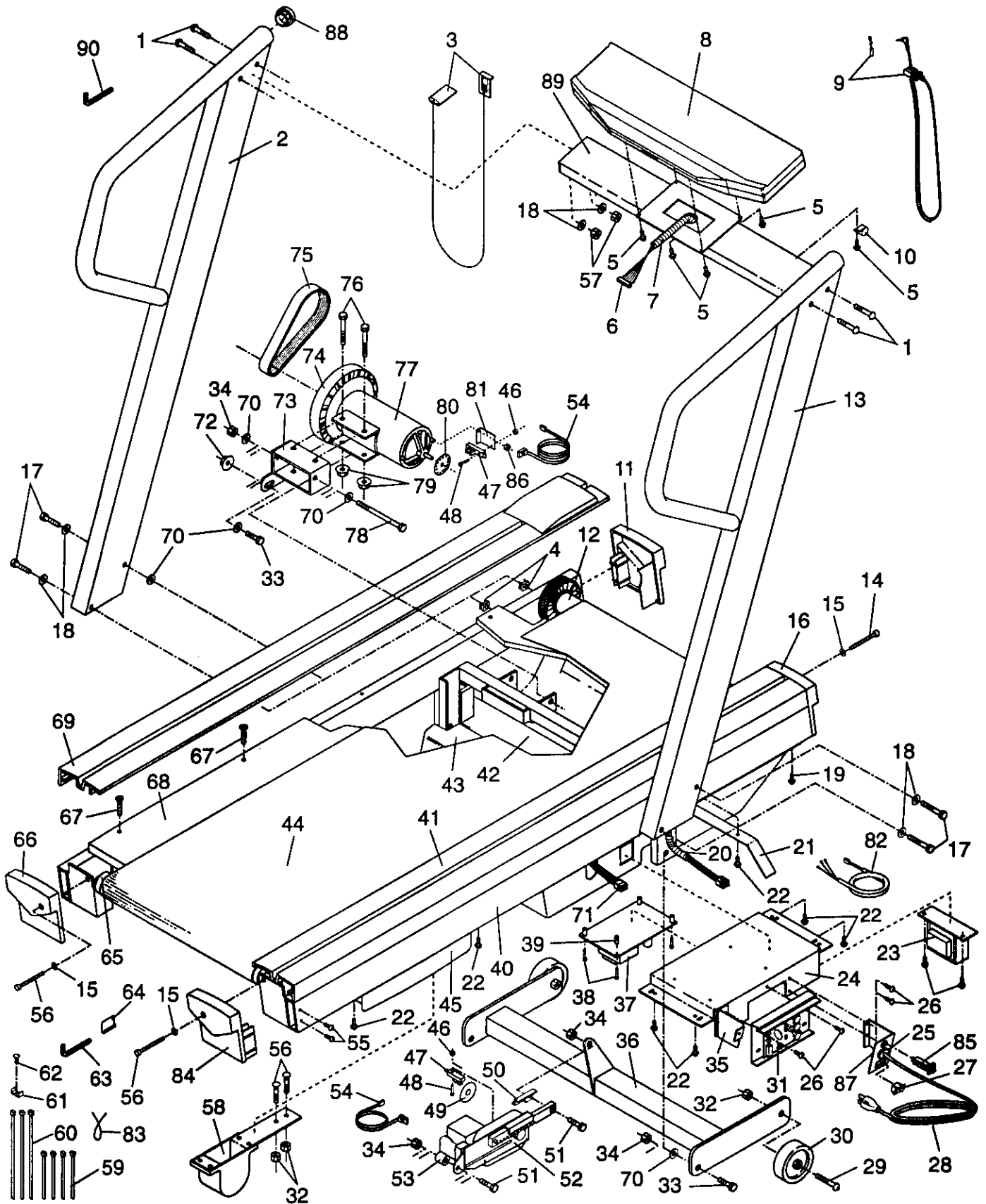


EXPLODED DRAWING—Model No. PFTL17040

Rev. 9/94



MODEL NUMBER: PFTL1704
 VERSION: 00
 PRODUCT NAME: PROFORM 730
 PRODUCT DESC:

MODEL/PART BOOK LISTING

PAGE 1
 INI023P1

RUN DATE: 3/07/97
 RUN TIME: 20:46:50

KEY NUMBER	PART NUMBER	DESCRIPTION	QUANTITY
.	.	PROFORM 730 TREADMILL	0
1	013544	3/8" X 2" BOLT	4
2	120945	LEFT UPRIGHT	1
3	119038	SAFETY KEY/CLIP	1
4	111430	CAGE NUT	4
5	013141	CONSOLE SCREW	5
6	119768	70" WIRE HARNESS	1
7	117988	24" CABLE LOOM	1
8	121441	CONSOLE W/RI	1
.	.	120549 CONSOLE	1
.	.	121440 REPLACEMENT INSTR.	1
9	119946	PULSE/CLOTHES CLIP	1
10	115872	STRAIN RELIEF	1
11	120939	FRONT LEFT ENDCAP	1
12	128032	FRONT ROLLER/PULLEY ASSY	1
13	120946	RIGHT UPRIGHT	1
14	112609	FRONT ROLLER ADJ. BOLT	1
15	014127	ROLLER ADJUSTMENT WASHER	3
16	120940	FRONT RIGHT ENDCAP	1
17	120003	3/8" X 3.5" BOLT	4
18	014132	FLAT WASHER	8
19	013162	SAFETY COVER SCREW	17
20	113204	12" CABLE LOOM	1
21	119013	BELT GUIDE	2
22	108404	SCREW	11
23	109365	CHOKE	1
24	123308	ELECTRONIC BRACKET	1
25	019084	GROMMET	1
26	120866	SMALL SCREW	6
27	119163	ON/OFF SWITCH	1
28	031229	POWER CORD	1
29	117806	WHEEL BOLT	2
30	052014	FRONT WHEEL	2
31	136255	CONTROLLER W/RI	1
32	012082	WHEEL/CUSHION FOOT NUT	6
33	013547	INCLINE LEG BOLT	3
34	012149	3/8" NUT	5
35	119416	SAFETY COVER BRACKET	1
36	119694	INCLINE LEG	1
37	120729	POWER BOARD W/RI	1
.	.	117860 POWER BOARD	1
.	.	125819 LOCKPIN STANDOFF	4
.	.	120728 REPLACEMENT INSTR.	1
38	013510	POWER BOARD BOLT	4
39	119502	POWER BOARD SPACER	4
40	NSP	FRAME	1
41	122400	RIGHT FOOT RAIL ASSY	1
.	.	120949 RIGHT FOOT RAIL	1
.	.	127860 NAIL	6
.	.	107103 REPLACEMENT INSTR.	1
42	119025	FRONT SAFETY COVER	1
43	122398	REAR SAFETY COVER W/DECAL	1
.	.	119024 REAR SAFETY CVR	1
.	.	119620 WIRE DIAGRAM DECAL	1

MODEL NUMBER: PFTL1704
VERSION: 00
PRODUCT NAME: PROFORM 730
PRODUCT DESC:

MODEL/PART BOOK LISTING

PAGE 2
INI023P1
RUN DATE: 3/07/97
RUN TIME: 20:46:50

KEY NUMBER	PART NUMBER	DESCRIPTION	QUANTITY
44	130473	WALKING BELT ASSEMBLY	1
45	119281	CUSHION FOOT COVER	2
46	012152	SMALL NUT	2
47	102955	OPTIC SWITCH	2
48	102959	SMALL BOLT	2
49	109370	INCLINE OPTIC DISK	1
50	116892	INCLINE MOTOR BRACKET	1
51	119375	INCLINE MOTOR BOLT	2
52	115523	INCLINE MOTOR	1
53	114270	INCLINE MOTOR SPACER	1
54	102633	OPTIC SWITCH WIRE HARNESS	2
55	013322	ENDCAP SCREW	4
56	110926	CUSHION FOOT BOLT	4
57	119425	3/8" JAM NUT	4
58	115032	CUSHION FOOT	2
59	016029	4" CABLE TIE	2
60	016057	8" CABLE TIE	5
61	116927	TIE BLOCK	1
62	013540	TIE BLOCK SCREW	1
63	126040	3/16" ALLEN WRENCH	1
64	016028	WRENCH CLIP	1
65	122123	REAR ROLLER W/RI	1
.	.	119012 REAR ROLLER	1
.	.	115058 REPLACEMENT INSTR.	1
66	120941	LEFT REAR ENDCAP	1
67	100691	PLATFORM SCREW	8
68	124689	WALKING PLATFORM ASSEMBLY	1
.	.	122814 WALKING PLATFORM	1
.	.	127860 NAIL	12
.	.	124370 REPLACEMENT INSTR.	1
.	.	NOTE: THIS ASSEMBLY HAS	0
.	.	BEEN CHANGED FROM THE	0
.	.	ORIGINAL WAXED BOARD	0
69	122103	LEFT FOOT RAIL ASSEMBLY	1
70	014086	FLAT WASHER	5
71	119769	20" WIRE HARNESS	1
72	120867	MOTOR TENSION NUT	1
.	.	121588 MOTOR MTG BRACKET	1
.	.	120739 REPLACEMENT INSTR.	1
73	122644	MOTOR MOUNT BRACKET W/RI	1
74	113278	PULLEY/FLYWHEEL/FAN ASSY	1
75	118017	MOTOR BELT	1
76	123385	MOTOR BOLT	2
77	120740	MOTOR W/RI	1
.	.	124184 MOTOR	1
.	.	120739 REPLACEMENT INSTR.	1
77A	120741	MTR/PULY/FAN/FLWH ASSY	1
78	107503	MOTOR SWIVEL BOLT	1
79	105477	MOTOR NUT	2
80	119070	SPEED OPTIC DISK	1
81	120653	OPTIC SWITCH BRACKET	1
82	105989	14" PWR BRD/CNTRL WIRE	1
83	116926	CABLE TIE WRAP	1
84	120942	RIGHT REAR ENDCAP	1

MODEL NUMBER: PFTL1704
 VERSION: 00
 PRODUCT NAME: PROFORM 730
 PRODUCT DESC:

MODEL/PART BOOK LISTING

PAGE 3
 INI023P1

RUN DATE: 3/07/97
 RUN TIME: 20:46:50

KEY NUMBER	PART NUMBER	DESCRIPTION	QUANTITY
85	109382	CIRCUIT BREAKER	1
86	122125	OPTIC SWITCH BRACKET NUT	1
87	119026	POWER CORD BRACKET	1
88	114005	HANDRAIL ENDCAP	2
89	120947	CONSOLE PLATE	1
90	045017	7/32" ALLEN WRENCH	1
.	.	NON-ILLUSTRATED PARTS	0
#	119277	LEFT FRAME DECAL	1
#	119693	RIGHT FRAME RAIL DECAL	1
#	120535	SPRING CUSHION DECAL *	1
#	119620	WIRE DIAGRAM DECAL	1
#	119283	OWNER'S MANUAL	1
.	119284	LITERATURE PACKET	1
.	.	119283 OWNER'S MANUAL	1
.	.	119946 PULSE/CLOTHES CLIP	1
.	.	119433 HARDWARE KIT	1
.	.	016028 WRENCH CLIP	1
.	.	126040 3/16" WRENCH	1
.	.	045017 7/32" WRENCH	1
.	.	120003 3.5" BOLT	4
.	.	014132 3/8" WASHER	10
.	.	013544 2" SCREW	4
.	.	119425 3/8" NUT	4
.	.	** - THESE ARE ESTIMATED COSTS!!	0
.	.		0