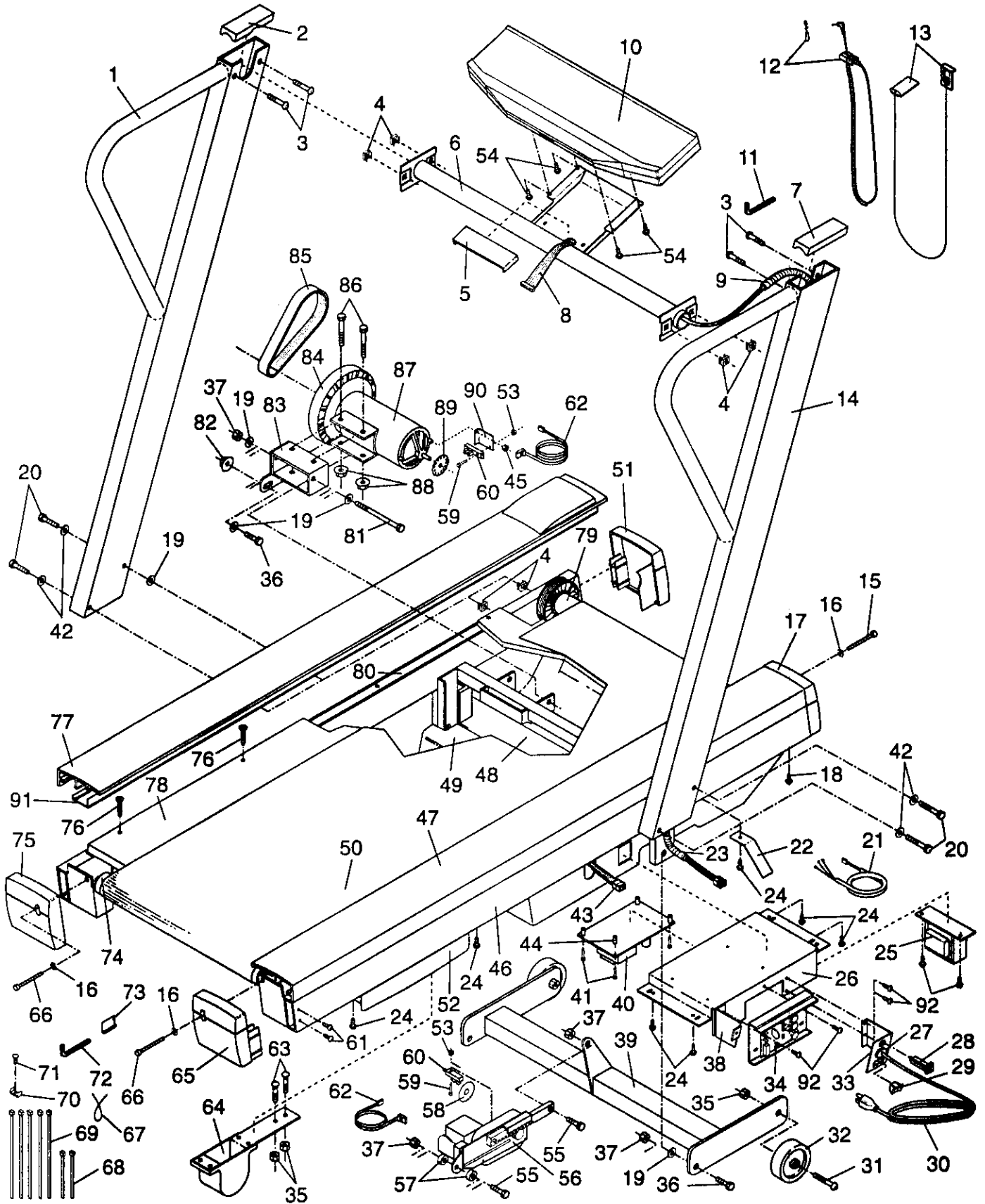


EXPLODED DRAWING—Model No. PFTL17041

Rev. 9/94



MODEL NUMBER: PFTL1704
 VERSION: 01
 PRODUCT NAME: PROFORM 730
 PRODUCT DESC:

MODEL/PART BOOK LISTING

PAGE 1
 INI023P1
 RUN DATE: 7/25/96
 RUN TIME: 8:59:37

KEY NUMBER	PART NUMBER	DESCRIPTION	QUANTITY
	.	PROFORM 730 TREADMILL	0
1	119637	LEFT UPRIGHT	1
2	119960	LEFT UPRIGHT ENDCAP	1
3	013438	3/8" X 1" BOLT	4
4	111430	CAGE NUT	8
5	119418	WIRE COVER	1
6	119630	CONSOLE CROSSBAR	1
7	119417	RIGHT UPRIGHT ENDCAP	1
8	119768	UPRIGHT WIRE HARNESS	1
9	117988	24" CABLE LOOM	1
10	121441	CONSOLE W/RI	1
.	.	120549 CONSOLE	1
.	.	121440 REPLACEMENT INST	1
11	045017	7/32" ALLEN WRENCH	1
12	119946	PULSE EARCLIP/CLOTHES CLP	1
13	119038	SAFETY KEY/CLIP	1
14	119640	RIGHT UPRIGHT	1
15	112609	FRONT ROLLER ADJ BOLT	1
16	014127	ROLLER ADJUSTMENT WASHER	3
17	119608	FRONT RIGHT ENDCAP	1
18	013162	SAFETY COVER SCREW	17
19	014086	FLAP BLACK WASHER	7
20	120003	3/8" X 3 1/2" BOLT	4
21	105989	14" PWR BRD CNTRLR WIRE	1
22	109265	BELT GUIDE	2
23	113204	12" CABLE LOOM	1
24	108404	SCREW	12
25	109365	CHOKE	1
26	123308	ELECTRONICS BRACKET	1
27	019084	GROMMET	1
28	109382	CIRCUIT BREAKER	1
29	119163	ON/OFF SWITCH	1
30	031229	POWER CORD	1
31	117806	FRONT WHEEL BOLT	2
32	052014	FRONT WHEEL	2
33	119026	POWER CORD BRACKET	1
34	110447	CONTROLLER W/RI	1
.	.	108580 CONTROLLER	1
.	.	110446 REPLACEMENT INST	1
35	012056	WHEEL/CUSHION FOOT NUT	6
36	013547	INCLN LEG/MTR TENSION BLT	3
37	012149	INCLN LEG/MTR TENSION NUT	5
38	119416	SAFETY COVER BRACKET	1
39	119020	INCLINE LEG	1
40	120729	POWER BOARD W/RI	1
.	.	117860 POWER BOARD	1
.	.	125819 LOCKPIN STANDOFF	4
.	.	120728 REPLACEMENT INST	1
41	013510	POWER BOARD SCREW	4
42	014132	FLAT WASHER	4
43	119769	20" WIRE HARNESS	1
44	119502	POWER BOARD SPACER	4
45	122125	OPTIC SWITCH BRACKET NUT	1
46	NSP	FRAME	1

MODEL NUMBER: PFTL1704
 VERSION: 01
 PRODUCT NAME: PROFORM 730
 PRODUCT DESC:

MODEL/PART BOOK LISTING

PAGE 2
 INI023P1

RUN DATE: 7/25/96
 RUN TIME: 8:59:37

KEY NUMBER	PART NUMBER	DESCRIPTION	QUANTITY
47	119280	RIGHT FOOT RAIL	1
48	119025	FRONT SAFETY COVER	1
49	122330	BACK SAFETY COVER W/DECAL	1
.	.	119024 SAFETY COVER	1
.	.	119620 WIRE DIAGRAM DECAL	1
50	130473	WALKING BELT ASSEMBLY	1
51	119607	LEFT FRONT ENDCAP	1
52	119281	CUSHION FOOT COVER	2
53	012152	SMALL NUT	2
54	013141	CONSOLE MOUNTING SCREW	4
55	119375	INCLINE MOTOR BOLT	2
56	115523	INCLINE MOTOR	1
57	114270	INCLINE MOTOR SPACER	2
58	109370	INCLINE OPTIC DISK	1
59	102959	SMALL BOLT	2
60	102955	OPTIC SWITCH	2
61	013028	ENDCAP SCREW	4
62	102633	OPTIC SWITCH WIRE HARNESS	2
63	110926	CUSHION FOOT BOLT	4
64	115032	CUSHION FOOT	2
65	119610	RIGHT REAR ENDCAP	1
66	105444	REAR ROLLER ADJ. BOLT	2
67	116926	CABLE TIE WRAP	1
68	016029	4" CABLE TIE	2
69	016057	8" CABLE TIE	5
70	116927	TIE BLOCK	1
71	013540	TIE BLOCK SCREW	1
72	045010	3/16" ALLEN WRENCH	1
73	016028	WRENCH CLIP	1
74	122123	REAR ROLLER W/RI	1
.	.	119012 REAR ROLLER	1
.	.	115058 REPLACEMENT INST	1
75	119609	LEFT REAR ENDCAP	1
76	119779	PLATFORM SCREW	8
77	122339	LEFT FOOT RAIL ASSEMBLY	1
.	.	119279 LEFT FOOT RAIL	1
.	.	119282 PULLEY COVER	1
.	.	013516 SCREW	4
78	124675	WALKING PLATFORM ASSEMBLY	1
.	.	122814 WALKING PLATFORM	1
.	.	122328 DECK MTG BRACKET	2
.	.	120471 SHIM	2
.	.	127860 NAIL	18
.	.	120721 REPLACEMENT INST	1
.	.	NOTE: THIS ASSEMBLY HAS	0
.	.	BEEN CHANGED FROM THE	0
.	.	ORIGINAL WAXED BOARD	0
79	128032	FRONT ROLLER/PULLEY	1
.	.	122333 ROLLER/PULLEY	1
.	.	120444 REPLACEMENT INST	1
80	122329	PLATFORM SHIM ASSEMBLY	2
.	.	120471 PLATFORM SHIM	1
.	.	127860 NAIL	3
.	.	120524 REPLACEMENT INST	1

MODEL NUMBER: PFTL1704
 VERSION: 01
 PRODUCT NAME: PROFORM 730
 PRODUCT DESC:

MODEL/PART BOOK LISTING

INI023P1

RUN DATE: 7/25/96
 RUN TIME: 8:59:37

KEY NUMBER	PART NUMBER	DESCRIPTION	QUANTITY
81	107503	MOTOR SWIVEL BOLT	1
82	120867	MOTOR TENSION NUT	1
83	122644	MOTOR MOUNT BRACKET W/RI	1
.	.	121588 MOTOR MTG BRACKET	1
.	.	120739 REPLACEMENT INSTR.	1
84	113278	PULLEY/FLYWHEEL/FAN	1
85	118017	MOTOR BELT	1
86	123385	MOTOR BOLT	2
87	120740	MOTOR W/RI	1
.	.	124184 MOTOR	1
.	.	120739 REPLACEMENT INST	1
87A	120741	MTR/PULY/FLWH/FAN ASSY	1
88	105477	MOTOR NUT	2
89	119070	SPEED OPTIC DISK	1
90	120653	OPTIC SWITCH BRACKET	1
91	121157	PLATFORM BRACKET ASSEMBLY	2
.	.	122328 DECK RAIL MTG BKT	1
.	.	127860 NAIL	6
.	.	120442 REPLACEMENT INSTR.	1
92	120866	ELECTRONIC MTG BKT SCREW	6
.	.	NON-ILLUSTRATED PARTS	0
#	107771	8" WHITE WIRE,MALE/FEMALE	1
#	101897	14" WHITE WIRE,2 FEMALE	1
#	109407	4" BLACK WIRE,2 FEMALE	1
#	101951	8" BLACK WIRE,2 FEMALE	1
#	102634	8" GREEN GROUND WIRE	1
#	118201	8" RED WIRE,MALE/FEMALE	1
#	112083	8" BLUE WIRE,2 FEMALE	1
#	121487	LT FRAME RAIL DECAL	1
#	119693	RT FRAME RAIL DECAL	1
#	120744	SOFT STRIDE DECAL	1
#	119620	WIRE DIAGRAM DECAL	1
#	121073	OWNER'S MANUAL	1
.	121074	LITERATURE PACKET	1
.	.	121073 OWNER'S MANUAL	1
.	.	112589 PULSE/CLOTHES CLIP	1
.	.	119417 RT UPRIGHT ENDCAP	1
.	.	119960 LT UPRIGHT ENDCAP	1
.	.	118209 SILICONE	1
.	.	119782 HARDWARE KIT	1
.	.	016028 CLAMP	1
.	.	045010 3/16"ALLEN WRENCH	1
.	.	045017 7/32"ALLEN WRENCH	1
.	.	120003 SCREW, 3.5" LONG	4
.	.	014132 FLAT WASHER	6
.	.	013438 SCREW, 1" LONG	4
.	.	** - THESE ARE ESTIMATED	0
.	.	COSTS!!	0