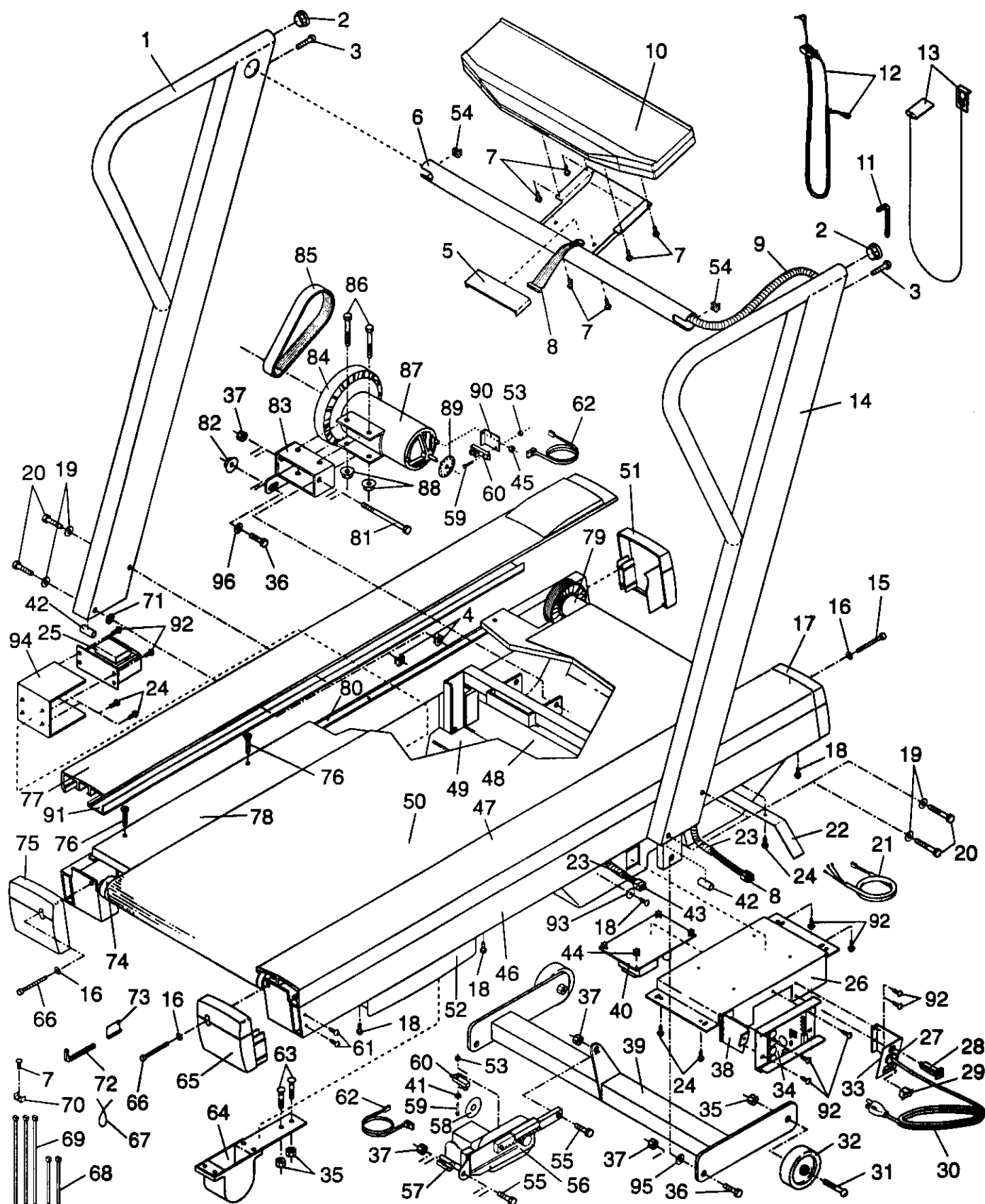


EXPLODED DRAWING—Model No. PFTL17043

Rev. 12/94



MODEL NUMBER: PFTL1704
 VERSION: 03
 PRODUCT NAME: PROFORM 730
 PRODUCT DESC:

MODEL/PART BOOK LISTING

PAGE 1
 INI023P1

RUN DATE: 3/07/97
 RUN TIME: 20:47:01

KEY NUMBER	PART NUMBER	DESCRIPTION	QUANTITY
.	.	PROFORM 730 TREADMILL	0
1	121754	LEFT UPRIGHT/HANDRAIL	1
2	114005	UPRIGHT ENDCAP	2
3	013544	3/8" X 2" BOLT	4
4	111430	CAGE NUT	4
5	119418	WIRE COVER	1
6	121747	CONSOLE CROSSBAR	1
7	013141	#8 X 1/2" SCREW	7
8	119768	UPRIGHT WIRE HARNESS	1
9	117988	24" CABLE LOOM	1
10	121441	CONSOLE W/RI	1
.	.	120549 CONSOLE	1
.	.	121440 REPLACEMENT INSTR.	1
11	045017	7/32" ALLEN WRENCH	1
12	119946	PULSE EARCLIP/CLOTHES CLP	1
13	119038	SAFETY KEY/CLIP	1
14	121756	RIGHT UPRIGHT/HANDRAIL	1
15	112609	FRONT ROLLER ADJUST BOLT	1
16	014127	ROLLER ADJUSTMENT WASHER	3
17	119608	FRONT RIGHT ENDCAP	1
18	013162	SAFETY COVER SCREW	19
19	014132	BLACK FLAT WASHER	4
20	120003	3/8" X 3 1/2" BOLT	4
21	105989	14" PWR BRD-CNTRLR WIRE	1
22	109265	BELT GUIDE	2
23	113204	12" CABLE LOOM	2
24	108080	SCREW	9
25	109365	CHOKE	1
26	123308	ELECTRONICS BRACKET	1
27	019084	GROMMET	1
28	109382	CIRCUIT BREAKER	1
29	119163	ON/OFF SWITCH	1
30	031229	POWER CORD	1
31	117806	FRONT WHEEL BOLT	2
32	052014	FRONT WHEEL	2
33	119026	POWER CORD BRACKET	1
34	136255	CONTROLLER W/RI	1
35	012056	WHEEL/CUSHION FOOT NUT	6
36	013547	INCLN LEG/MTR TNSN BOLT	3
37	012149	INCLN LEG/MTR TNSN NUT	5
38	119416	SAFETY COVER BRACKET	1
39	119020	INCLINE LEG	1
40	120729	POWER BOARD W/RI	1
.	.	117860 POWER BOARD	1
.	.	125819 LOCKPIN STANDOFF	4
.	.	120728 REPLACEMENT INSTR.	1
41	014157	SWITCH STAR WASEHR	1
42	122332	UPRIGHT SPACER	2
43	119769	20" WIRE HARNESS	1
44	125819	POWER BOARD SPACER	4
45	122125	OPTIC SWITCH BKT NUT ASSY	1
.	.	119439 1/4" NYLON LOCKNUT	1
.	.	117395 #10 NYLON LOCKNUT	1
46	NSP	FRAME	1

MODEL NUMBER: PFTL1704
 VERSION: 03
 PRODUCT NAME: PROFORM 730
 PRODUCT DESC:

MODEL/PART BOOK LISTING

PAGE 2
 INI023P1
 RUN DATE: 3/07/97
 RUN TIME: 20:47:01

KEY NUMBER	PART NUMBER	DESCRIPTION	QUANTITY
47	119280	RIGHT FOOT RAIL	1
48	119025	FRONT SAFETY COVER	1
49	122330	BACK SAFETY COVER ASSY	1
.	.	119024 SAFETY COVER	1
.	.	119620 WIRE DIAGRAM DECAL	1
50	130473	WALKING BELT ASSEMBLY	1
51	119607	LEFT FRONT ENDCAP	1
52	119999	CUSHION FOOT COVER	2
53	012152	SMALL NUT	2
54	111869	CROSSBAR CAGE NUT	2
55	119375	INCLINE MOTOR BOLT	2
56	115523	INCLINE MOTOR	1
57	114270	INCLINE MOTOR SPACER	1
58	109370	INCLINE OPTIC DISK	1
59	102959	SMALL BOLT	2
60	121241	OPTIC SWITCH	2
61	013028	ENDCAP SCREW	4
62	102633	OPTIC SWITCH WIRE HARNESS	2
63	110926	CUSHION FOOT BOLT	4
64	115032	CUSHION FOOT ASSY	2
.	.	109719 SPRING	1
.	.	113986 FOOT	1
.	.	112738 FASTENER	4
.	.	129743 REPLACEMENT INSTR.	1
65	119610	RIGHT REAR ENDCAP	1
66	105444	REAR ROLLER ADJUST BOLT	2
67	116926	CABLE TIE WRAP	1
68	016029	4" CABLE TIE	2
69	016057	8" CABLE TIE	3
70	116927	TIE BLOCK	1
71	014117	STAR WASHER	2
72	126040	3/16" ALLEN WRENCH	1
73	016028	WRENCH CLIP	1
74	122123	REAR ROLLER W/RI	1
.	.	119012 REAR ROLLER	1
.	.	115058 REPLACEMENT INSTR.	1
75	119609	LEFT REAR ENDCAP	1
76	119779	PLATFORM SCREW	8
77	122103	LEFT FOOT RAIL ASSY	1
.	.	119279 LEFT FOOT RAIL	1
.	.	119282 PULLEY COVER	1
.	.	013516 SCREW	4
78	124675	WALKING PLATFORM ASSY	1
.	.	122814 WALKING BOARD	1
.	.	122328 DECK MTG BRACKET	2
.	.	120471 SHIM	2
.	.	127860 NAIL	18
.	.	120721 REPLACEMENT INSTR.	1
.	.	NOTE: THIS ASSEMBLY HAS	0
.	.	BEEN CHANGED FROM THE	0
.	.	ORIGINAL WAXED BOARD	0
79	128032	FRONT ROLLER/PULLEY ASSY	1
.	.	122333 FR RLR/PULY ASSY	1
.	.	120444 REPLACEMENT INSTR.	1

MODEL NUMBER: PFTL1704
 VERSION: 03
 PRODUCT NAME: PROFORM 730
 PRODUCT DESC:

MODEL/PART BOOK LISTING

PAGE 3
 INI023P1
 RUN DATE: 3/07/97
 RUN TIME: 20:47:01

KEY NUMBER	PART NUMBER	DESCRIPTION	QUANTITY
80	122329	PLATFORM SHIM ASSY	2
.	.	120471 PLATFORM SHIM	1
.	.	127860 NAIL	3
.	.	120524 REPLACEMENT INSTR.	1
81	107503	MOTOR SWIVEL BOLT	1
82	120867	MOTOR TENSION NUT	1
83	122644	MOTOR MOUNT BRACKET W/RI	1
.	.	121588 MOTOR SWIVEL BKT	1
.	.	120739 REPLACEMENT INSTR.	1
84	113278	PULLEY/FLYWHEEL/FAN	1
85	118017	MOTOR BELT	1
86	123385	MOTOR BOLT	2
87	120740	MOTOR W/RI	1
.	.	124184 MOTOR	1
.	.	120739 REPLACEMENT INSTR.	1
87A	120741	MOTOR ASSEMBLY	1
.	.	124184 MOTOR	1
.	.	119070 OPTIC DISK	1
.	.	113278 FLYWHL/PULLY/FAN	1
.	.	120739 REPLACEMENT INSTR.	1
88	105477	MOTOR NUT	2
89	119070	SPEED OPTIC DISK	1
90	120653	OPTIC SWITCH BRACKET	1
91	121157	FOOT RAIL BRACKET ASSY	2
.	.	122328 FOOT RAIL BRACKET	1
.	.	127860 NAIL	6
.	.	120442 REPLACEMENT INSTR.	1
92	120866	ELECTRONICS SCREW	7
93	104188	COVER WASHER	2
94	120909	CHOKE BRACKET	1
95	014132	FLAT WASHER	2
96	122812	TENSION MOTOR WASHER	1
.	.	NON-ILLUSTRATED PARTS	0
#	107771	8" WHITE WIRE, MALE/FEMALE	1
#	102246	8" WHITE WIRE, 2 FEMALE	1
#	114011	4" BLACK WIRE, MALE/FEMALE	1
#	109407	4" BLACK WIRE, 2 FEMALE	1
#	101951	8" BLACK WIRE, 2 FEMALE	1
#	102634	8" GREEN GROUND WIRE	1
#	118201	8" RED WIRE, MALE/FEMALE	1
#	112083	8" BLUE WIRE, 2 FEMALE	1
#	118204	8" BLUE WIRE, MALE/FEMALE	1
#	119620	WIRE DIAGRAM DECAL	1
#	121487	LT. FRAME DECAL	1
#	119693	RT. FRAME DECAL	1
#	120744	SOFT STRIDE DECAL	1
#	122668	OWNER'S MANUAL	1
.	122680	LITERATURE PACKET	1
.	.	122668 OWNER'S MANUAL	1
.	.	119946 PULSE/CLOTHES CLIP	1
.	.	122332 SPACER, UPRIGHT MTG	2
.	.	121763 HARDWARE KIT	1
.	.	016028 CLAMP	1
.	.	126040 3/16" ALLEN WRNCH	1

MODEL NUMBER: PFTL1704
VERSION: 03
PRODUCT NAME: PROFORM 730
PRODUCT DESC:

MODEL/PART BOOK LISTING

PAGE 4
INI023P1
RUN DATE: 3/07/97
RUN TIME: 20:47:01

KEY NUMBER	PART NUMBER	DESCRIPTION	QUANTITY
.	.	045017 7/32" ALLEN WRNCH	1
.	.	120003 3/8" X 3.5" SCREW	4
.	.	014132 3/8" FLAT WASHER	4
.	.	014117 3/8" STAR WASHER	2
.	.	013544 3/8" X 2" SCREW	2