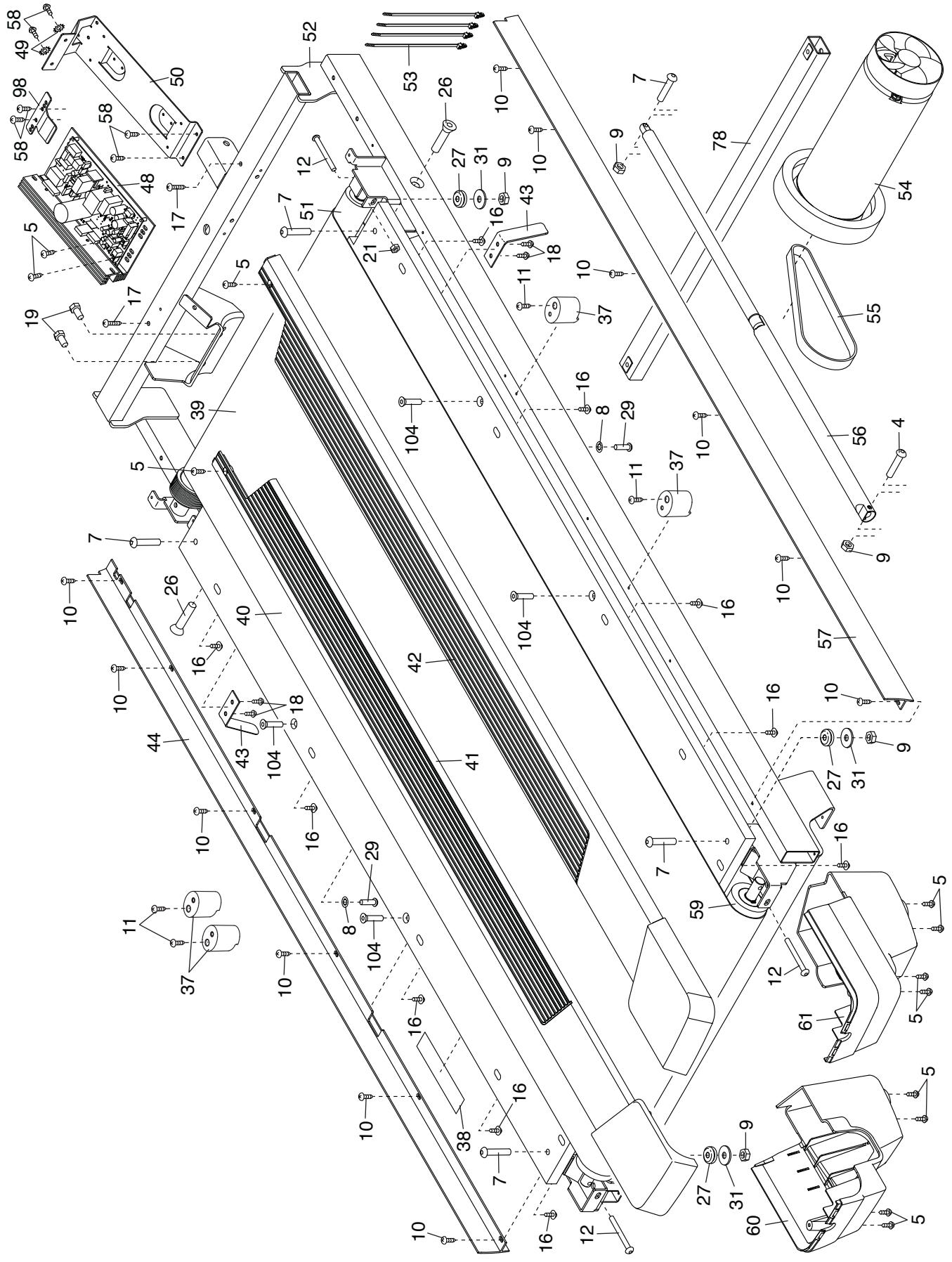


EXPLODED DRAWING A

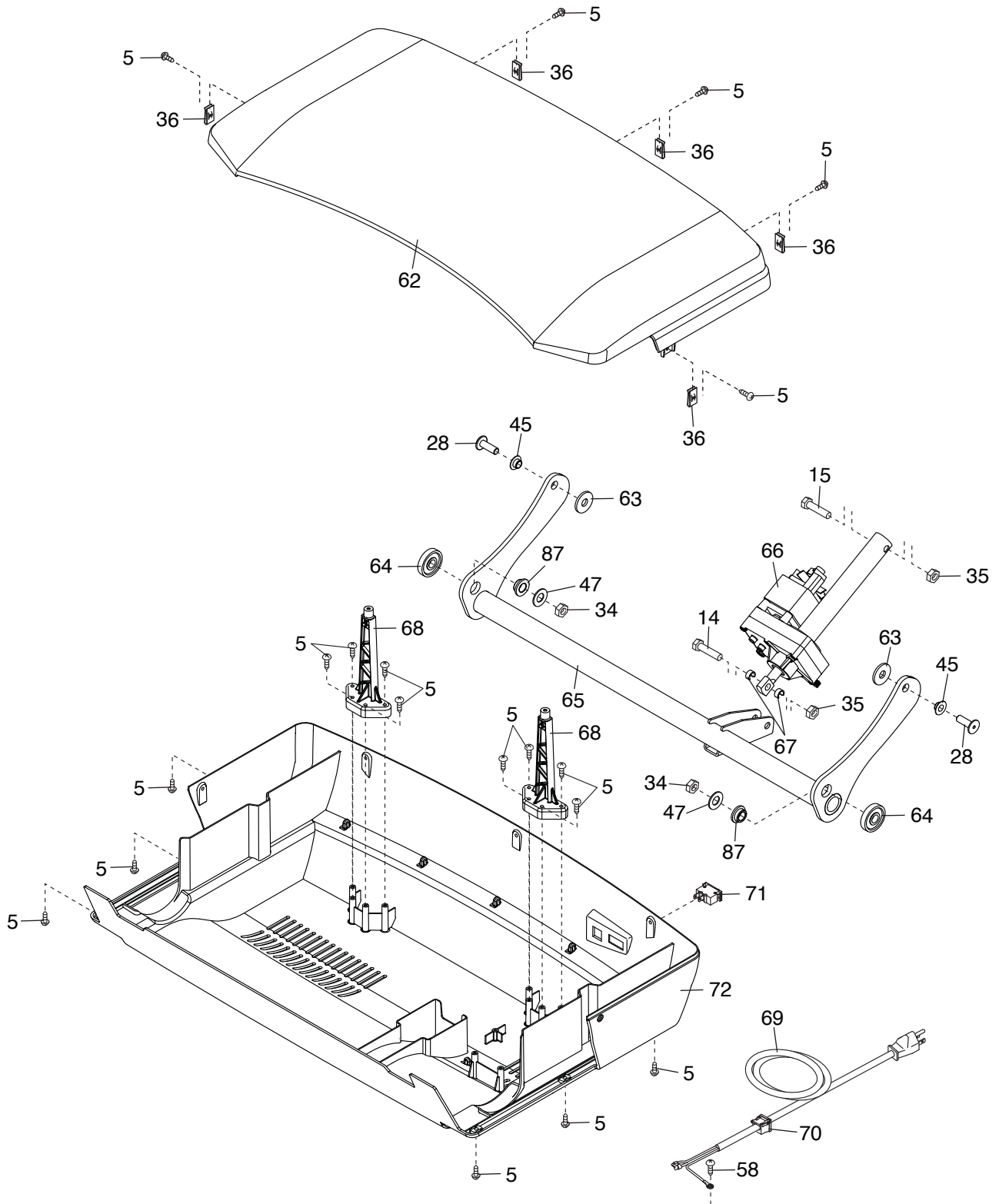
Model No. PFTL17116.0 R1016B



40

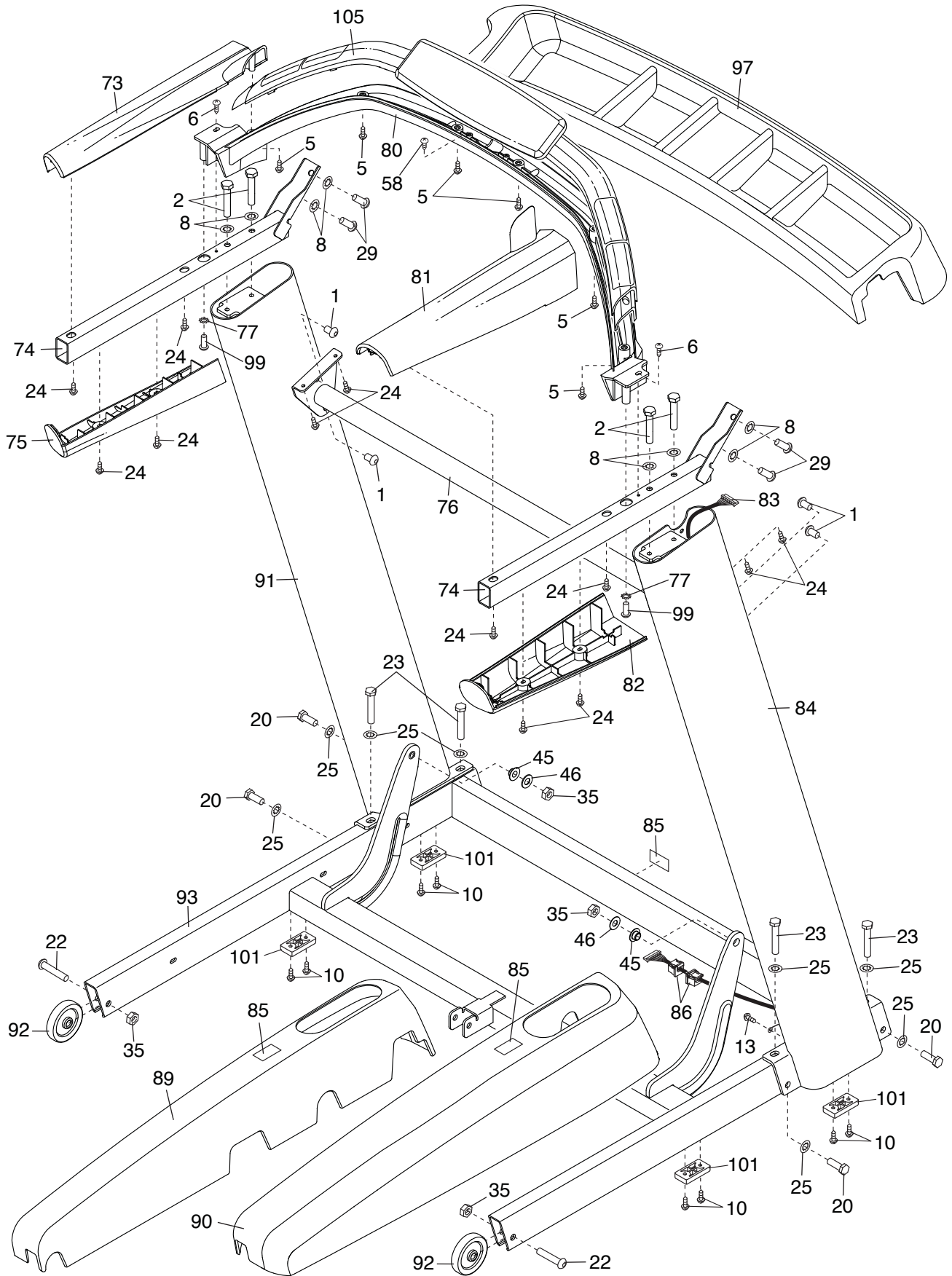
EXPLODED DRAWING B

Model No. PFTL17116.0 R1016B



EXPLODED DRAWING C

Model No. PFTL17116.0 R1016B



EXPLODED DRAWING D

Model No. PFTL17116.0 R1016B

