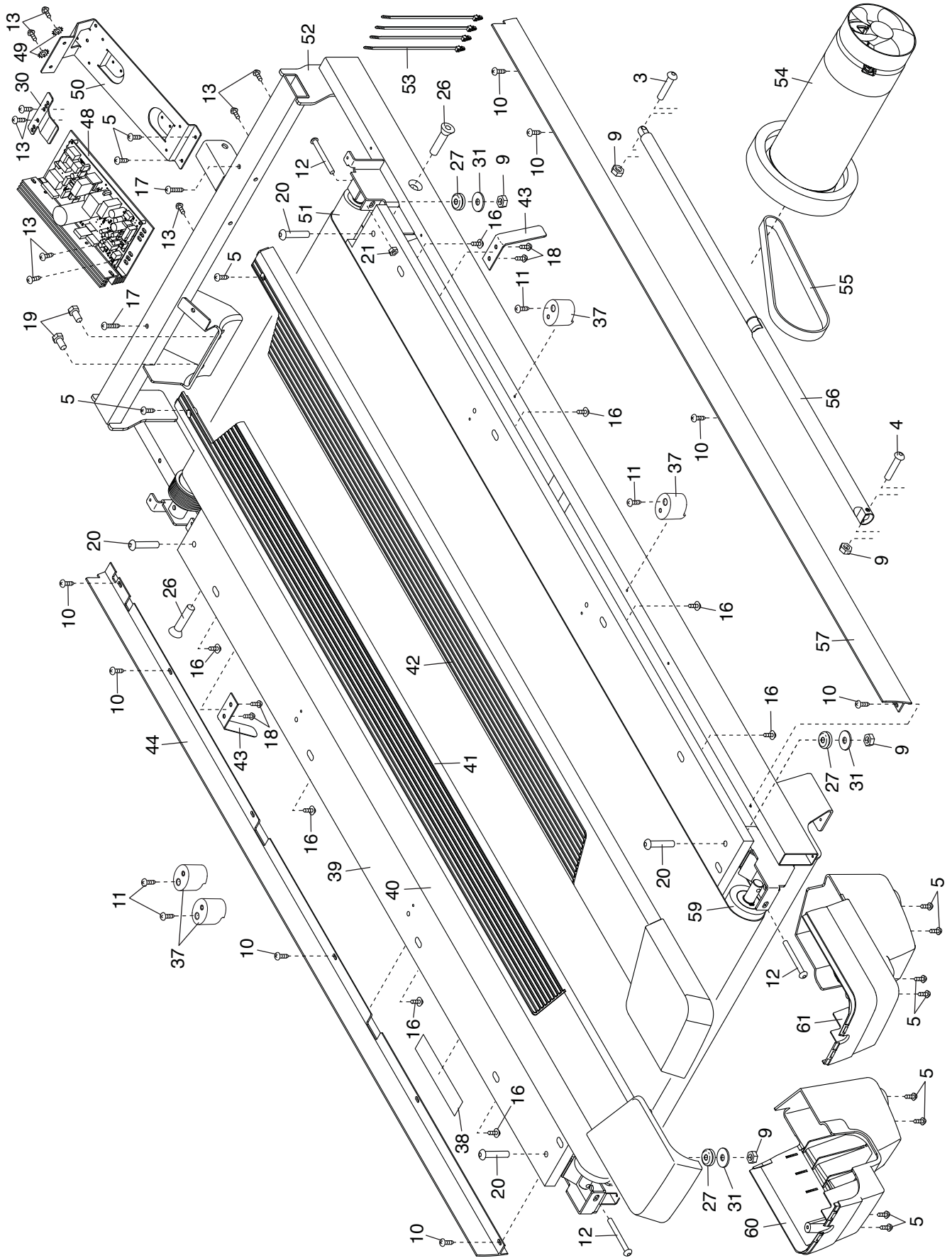


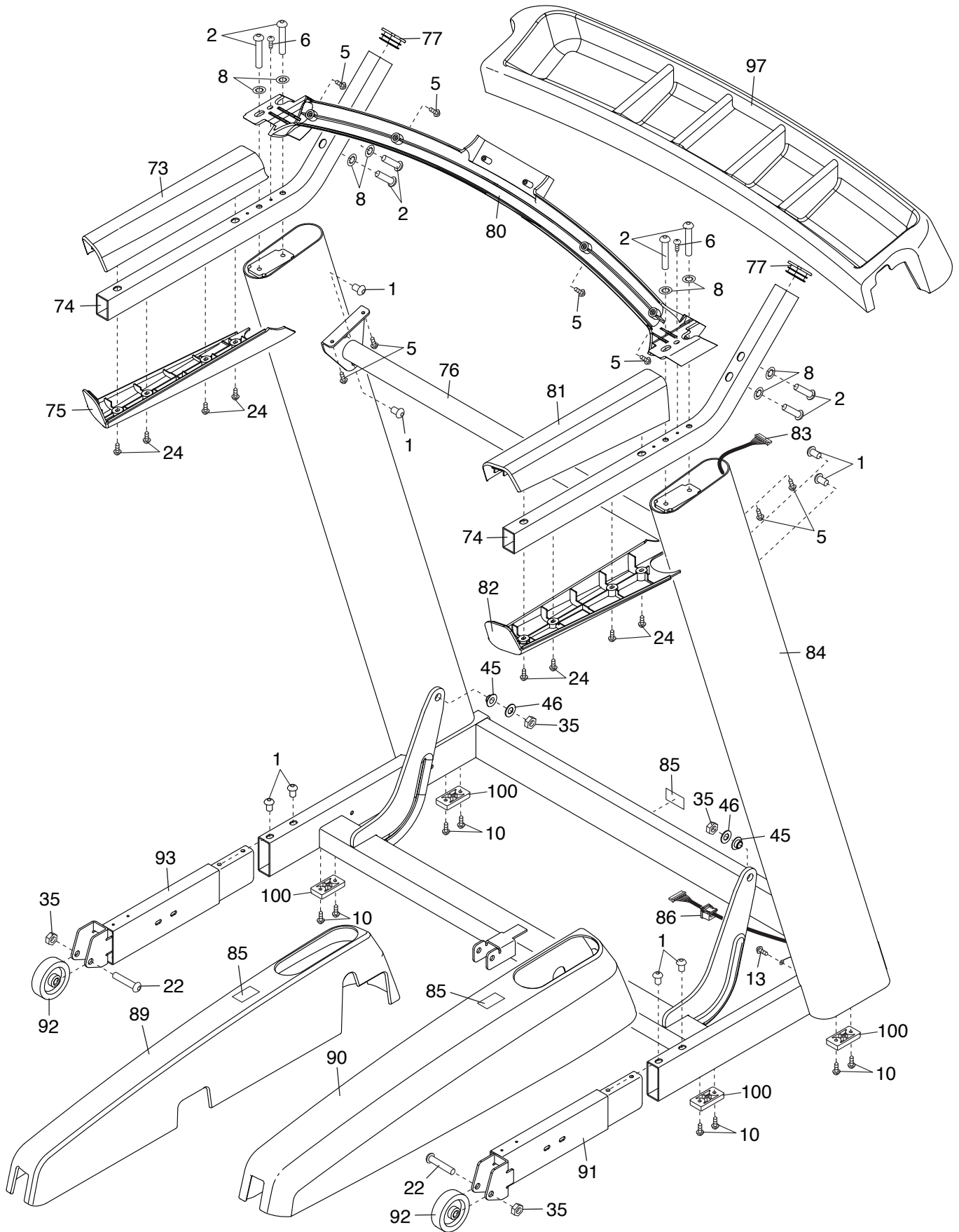
EXPLODED DRAWING A

Model No. PFTL19214.1 R1015A



EXPLODED DRAWING C

Model No. PFTL19214.1 R1015A



EXPLODED DRAWING D

Model No. PFTL19214.1 R1015A

