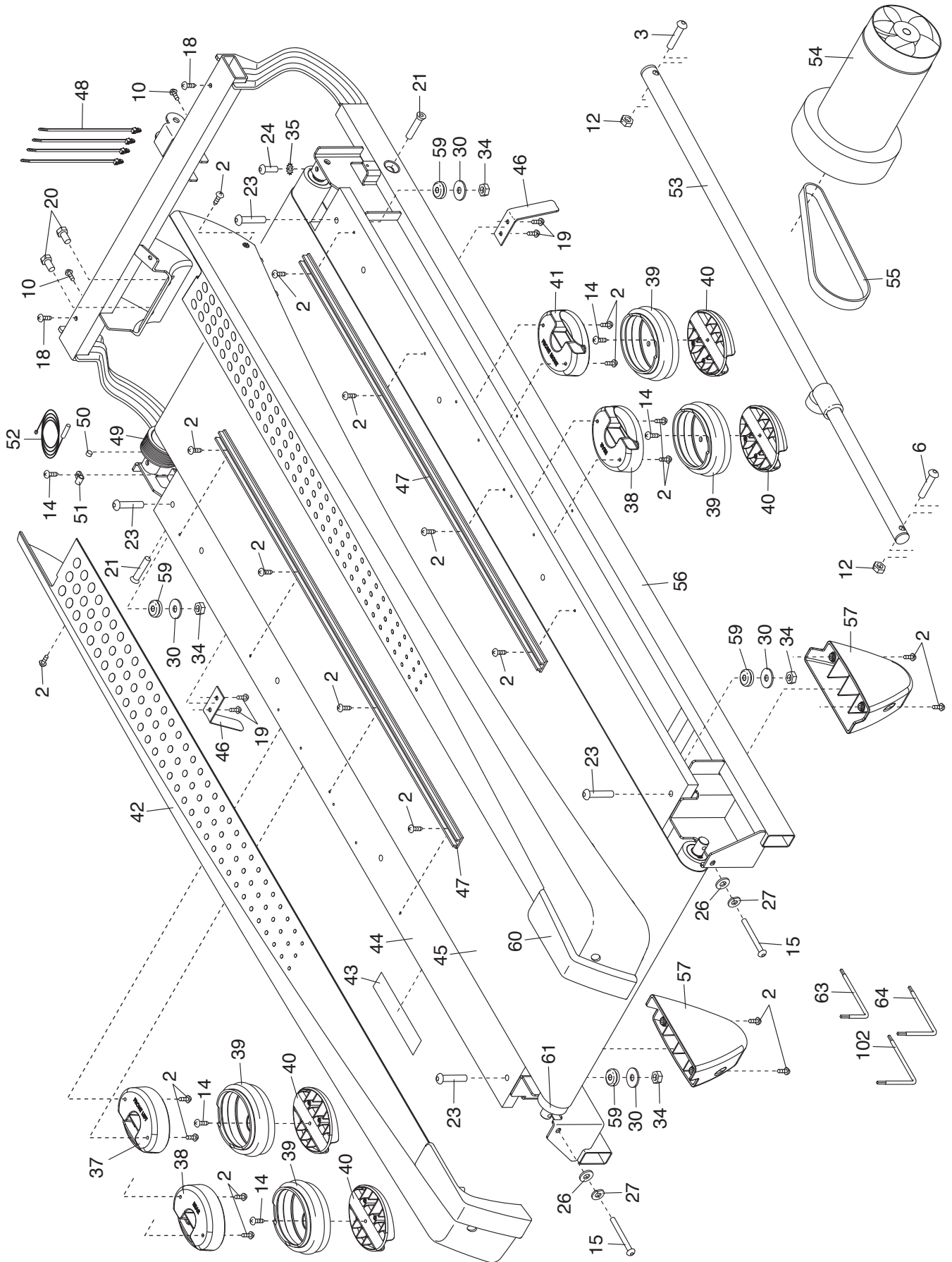


# EXPLODED DRAWING A

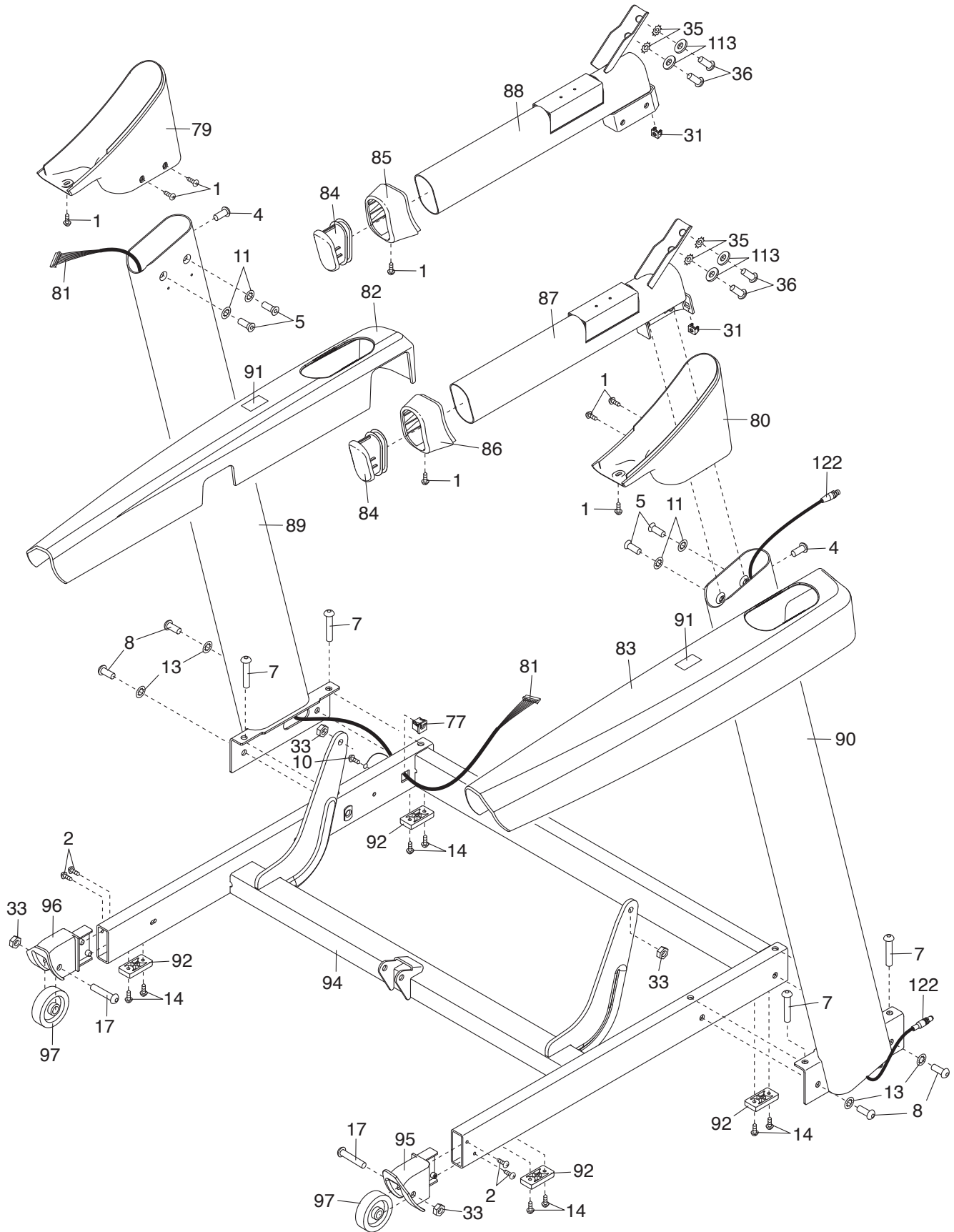
Model No. PFTL20511.0 R0612A





# EXPLODED DRAWING C

Model No. PFTL20511.0 R0612A



# EXPLODED DRAWING D

Model No. PFTL20511.0 R0612A

