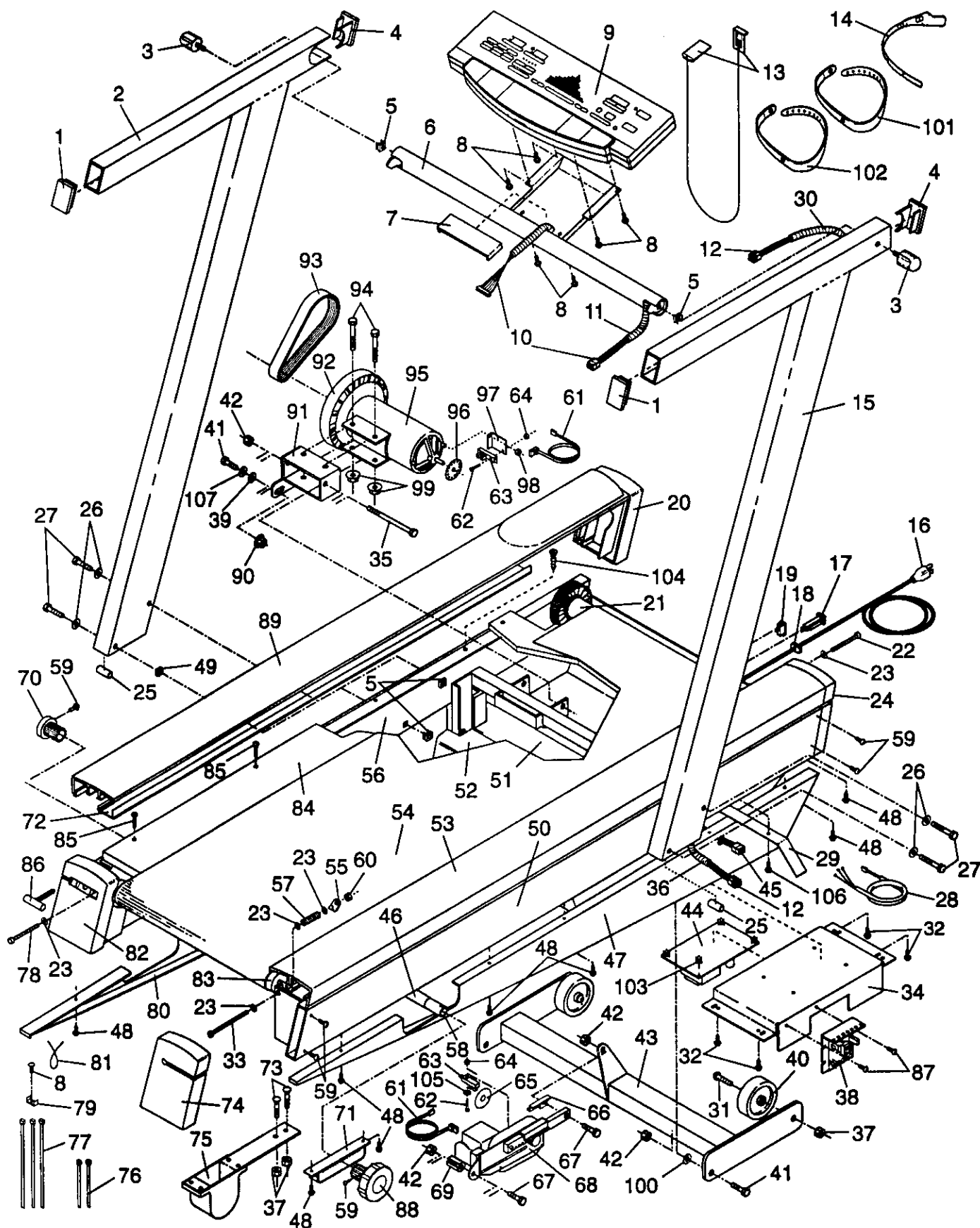


# EXPLODED DRAWING—Model No. PFTL22040

Rev. 2/95



MODEL NUMBER: PFTL2204

MODEL/PART BOOK LISTING

PAGE 1

VERSION: 00

INI023P1

PRODUCT NAME: PROFORM PERSONAL TRAINER

RUN DATE: 5/16/95

PRODUCT DESC: TREADMILL

RUN TIME: 12:52:36

| KEY NUMBER | PART NUMBER | DESCRIPTION               | QUANTITY |
|------------|-------------|---------------------------|----------|
|            | .           | PROFORM PERSONAL TRAINER  | 0        |
| 1          | 120554      | ENDCAP                    | 2        |
| 2          | 120202      | LEFT UPRIGHT              | 1        |
| 3          | 120244      | CONSOLE KNOB              | 2        |
| 4          | 120245      | UPRIGHT ENDCAP            | 2        |
| 5          | 111869      | CAGE NUT                  | 6        |
| 6          | 121495      | CONSOLE CROSSBAR          | 1        |
| 7          | 120489      | WIRE COVER                | 1        |
| 8          | 013141      | CONSOLE SCREW             | 12       |
| 9          | 122581      | CONSOLE W/RI              | 1        |
| .          | .           | 121552 CONSOLE            | 1        |
| .          | .           | 122582 REPLACEMENT INSTR* | 1        |
| 10         | 121474      | CONSOLE WIRE HARNESS      | 1        |
| 11         | 117988      | 24" CABLE LOOM            | 1        |
| 12         | 117403      | UPRIGHT WIRE HARNESS      | 1        |
| 13         | 119038      | SAFETY KEY/CLIP           | 1        |
| 14         | 120644      | PULSE SENSOR              | 1        |
| 15         | 120239      | RIGHT UPRIGHT             | 1        |
| 16         | 031229      | POWER CORD                | 1        |
| 17         | 109382      | CIRCUIT BREAKER           | 1        |
| 18         | 019084      | GORMMET                   | 1        |
| 19         | 119163      | ON/OFF SWITCH             | 1        |
| 20         | 122562      | LEFT FRONT ENDCAP         | 1        |
| 21         | 120464      | FRONT ROLLER/PULLEY ASSY  | 1        |
| .          | .           | 115934 FR RLR/PULY ASSY   | 1        |
| .          | .           | 120444 REPLACEMENT INSTR. | 1        |
| 22         | 112609      | FRONT ROLLER ADJ. BOLT    | 1        |
| 23         | 014127      | ROLLER ADJUSTMENT WASHER  | 5        |
| 24         | 122563      | RIGHT FRONT ENDCAP        | 1        |
| 25         | 122332      | UPRIGHT SPACER            | 2        |
| 26         | 014132      | UPRIGHT WASHER            | 4        |
| 27         | 120003      | 3/8" X 3.5" BOLT          | 4        |
| 28         | 120311      | POWER BOARD/CNTRLR WIRE   | 1        |
| 29         | 121460      | BELT GUIDE                | 1        |
| 30         | 113203      | 6" CABLE LOOM             | 1        |
| 31         | 117806      | WHEEL BOLT                | 2        |
| 32         | 108080      | SCREW                     | 4        |
| 33         | 120243      | RT REAR BELT TENSION BOLT | 1        |
| 34         | 123308      | ELECTRONIC MOUNTING BKT   | 1        |
| 35         | 107503      | MOTOR SWIVEL BOLT         | 1        |
| 36         | 113204      | 12" CABLE LOOM            | 1        |
| 37         | 012056      | WHEEL/CUSHION FOOT NUT    | 6        |
| 38         | 120767      | CONTROLLER W/RI           | 1        |
| .          | .           | 117494 CONTROLLER         | 1        |
| .          | .           | 120766 REPLACEMENT INSTR. | 1        |
| 39         | 014117      | MOTOR TENSION WASHER      | 1        |
| 40         | 052014      | FRONT WHEEL               | 2        |
| 41         | 013547      | LEG/MOTOR TENSION BOLT    | 3        |
| 42         | 012149      | LEG/MOTOR TENSION NUT     | 5        |
| 43         | 123950      | INCLINE LEG               | 1        |
| 44         | 122215      | POWER BOARD W/RI          | 1        |
| .          | .           | 118053 POWER BOARD        | 1        |
| .          | .           | 122214 REPLACEMENT INSTR. | 1        |
| #          | 110463      | POWER BOARD FUSE          | 1        |

MODEL NUMBER: PFTL2204

MODEL/PART BOOK LISTING

PAGE 1

VERSION: 00

INI023P1

PRODUCT NAME: PROFORM PERSONAL TRAINER

RUN DATE: 5/09/96

PRODUCT DESC:

RUN TIME: 17:16:27

| KEY NUMBER | PART NUMBER | DESCRIPTION               | QUANTITY |
|------------|-------------|---------------------------|----------|
|            | .           | PROFORM PERSONAL TRAINER  | 0        |
| 1          | 120554      | ENDCAP                    | 2        |
| 2          | 120202      | LEFT UPRIGHT              | 1        |
| 3          | 120244      | CONSOLE KNOB              | 2        |
| 4          | 120245      | UPRIGHT ENDCAP            | 2        |
| 5          | 111869      | CAGE NUT                  | 6        |
| 6          | 121495      | CONSOLE CROSSBAR          | 1        |
| 7          | 120489      | WIRE COVER                | 1        |
| 8          | 013141      | CONSOLE SCREW             | 12       |
| 9          | 122581      | CONSOLE W/RI              | 1        |
| .          | .           | 121552 CONSOLE            | 1        |
| .          | .           | 122582 REPLACEMENT INSTR* | 1        |
| 10         | 125569      | CONSOLE WIRE HARNESS      | 1        |
| 11         | 117988      | 24" CABLE LOOM            | 1        |
| 12         | 117403      | UPRIGHT WIRE HARNESS      | 1        |
| 13         | 119038      | SAFETY KEY/CLIP           | 1        |
| 14         | 120644      | PULSE SENSOR              | 1        |
| 15         | 120239      | RIGHT UPRIGHT             | 1        |
| 16         | 031229      | POWER CORD                | 1        |
| 17         | 109382      | CIRCUIT BREAKER           | 1        |
| 18         | 019084      | GORMMET                   | 1        |
| 19         | 119163      | ON/OFF SWITCH             | 1        |
| 20         | 122562      | LEFT FRONT ENDCAP         | 1        |
| 21         | 120464      | FRONT ROLLER/PULLEY ASSY  | 1        |
| .          | .           | 115934 FR RLR/PULY ASSY   | 1        |
| .          | .           | 120444 REPLACEMENT INSTR. | 1        |
| 22         | 112609      | FRONT ROLLER ADJ. BOLT    | 1        |
| 23         | 014127      | ROLLER ADJUSTMENT WASHER  | 5        |
| 24         | 122563      | RIGHT FRONT ENDCAP        | 1        |
| 25         | 122332      | UPRIGHT SPACER            | 2        |
| 26         | 014132      | UPRIGHT WASHER            | 4        |
| 27         | 120003      | 3/8" X 3.5" BOLT          | 4        |
| 28         | 120311      | POWER BOARD/CNTRLR WIRE   | 1        |
| 29         | 121460      | BELT GUIDE                | 1        |
| 30         | 113203      | 6" CABLE LOOM             | 1        |
| 31         | 117806      | WHEEL BOLT                | 2        |
| 32         | 108080      | SCREW                     | 4        |
| 33         | 120243      | RT REAR BELT TENSION BOLT | 1        |
| 34         | 123308      | ELECTRONIC MOUNTING BKT   | 1        |
| 35         | 107503      | MOTOR SWIVEL BOLT         | 1        |
| 36         | 113204      | 12" CABLE LOOM            | 1        |
| 37         | 012056      | WHEEL/CUSHION FOOT NUT    | 6        |
| 38         | 120767      | CONTROLLER W/RI           | 1        |
| .          | .           | 117494 CONTROLLER         | 1        |
| .          | .           | 120766 REPLACEMENT INSTR. | 1        |
| 39         | 014117      | MOTOR TENSION WASHER      | 1        |
| 40         | 052014      | FRONT WHEEL               | 2        |
| 41         | 013547      | LEG/MOTOR TENSION BOLT    | 3        |
| 42         | 012149      | LEG/MOTOR TENSION NUT     | 5        |
| 43         | 123950      | INCLINE LEG               | 1        |
| 44         | 122215      | POWER BOARD W/RI          | 1        |
| .          | .           | 118053 POWER BOARD        | 1        |
| .          | .           | 122214 REPLACEMENT INSTR. | 1        |
| #          | 110463      | POWER BOARD FUSE          | 1        |

MODEL NUMBER: PFTL2204  
VERSION: 00  
PRODUCT NAME: PROFORM PERSONAL TRAINER  
PRODUCT DESC:

MODEL/PART BOOK LISTING

PAGE 2  
INI023P1  
RUN DATE: 5/09/96  
RUN TIME: 17:16:27

| KEY NUMBER | PART NUMBER | DESCRIPTION               | QUANTITY |
|------------|-------------|---------------------------|----------|
| 45         | 120823      | 20" WIRE HARNESS          | 1        |
| 46         | 122331      | ROD SLEEVE                | 2        |
| 47         | 121640      | RIGHT SKIRT               | 1        |
| 48         | 013162      | SKIRT/COVER SCREW         | 27       |
| 49         | 014117      | STAR WASHER               | 2        |
| 50         | NSP         | FRAME                     | 1        |
| 51         | 121448      | FRONT SAFETY COVER        | 1        |
| 52         | 122856      | REAR SAFETY COVER W/DECAL | 1        |
| .          | .           | 121447 REAR SAFETY COVER  | 1        |
| .          | .           | 121481 WIRE DIAGRAM DECAL | 1        |
| 53         | 121616      | RIGHT FOOT RAIL           | 1        |
| 54         | 122579      | WALKING BELT W/RI         | 1        |
| .          | .           | 129813 WALKING BELT       | 1        |
| .          | .           | 122338 REPLACEMENT INSTR. | 1        |
| 55         | 120241      | ADJUSTMENT BOLT GUIDE     | 1        |
| 56         | 123017      | DECK SHIM                 | 2        |
| 57         | 128986      | BELT TENSION SPRING       | 1        |
| 58         | 121458      | CUSHION FOOT ROD          | 1        |
| 59         | 013028      | ENDCAP/KNOB SCREW         | 10       |
| 60         | 012096      | SPRING NUT                | 1        |
| 61         | 102633      | OPTIC SWITCH WIRE HARNESS | 2        |
| 62         | 102959      | SMALL BOLT                | 2        |
| 63         | 102955      | OPTIC SWITCH              | 2        |
| 64         | 012152      | SMALL NUT                 | 2        |
| 65         | 109370      | INCLINE OPTIC DISK        | 1        |
| 66         | 116892      | INCLINE MOTOR BRACKET     | 1        |
| 67         | 119375      | INCLINE MOTOR BOLT        | 2        |
| 68         | 123478      | INCLINE MOTOR             | 1        |
| 69         | 114270      | INCLINE MOTOR SPACER      | 1        |
| 70         | 128068      | BAR ENDCAP                | 1        |
| 71         | 120483      | CUSHION FOOT INSERT       | 2        |
| 72         | 122860      | FOOT RAIL BRACKET ASSY    | 2        |
| .          | .           | 121135 FOOT RAIL BRACKET  | 1        |
| .          | .           | 127860 NAIL               | 6        |
| .          | .           | 120442 REPLACEMENT INSTR. | 1        |
| 73         | 110926      | CUSHION FOOT BOLT         | 4        |
| 74         | 119017      | RIGHT REAR ENDCAP         | 1        |
| 75         | 115046      | CUSHION FOOT              | 2        |
| 76         | 016029      | 4" CABLE TIE              | 2        |
| 77         | 016057      | 8" CABLE TIE              | 3        |
| 78         | 013206      | LT REAR BELT TENSION BOLT | 1        |
| 79         | 116927      | TIE BLOCK                 | 1        |
| 80         | 121639      | LEFT SKIRT                | 1        |
| 81         | 116926      | CABLE TIE                 | 1        |
| 82         | 119016      | LEFT REAR ENDCAP          | 1        |
| 83         | 122843      | REAR ROLLER W/RI          | 1        |
| .          | .           | 121459 REAR ROLLER        | 1        |
| .          | .           | 122842 REPLACEMENT INSTR. | 1        |
| 84         | 122580      | WALKING PLATFORM ASSEMBLY | 1        |
| .          | .           | 121451 WALKING PLATFORM   | 1        |
| .          | .           | 121135 FOOT RAIL BRACKET  | 2        |
| .          | .           | 127860 NAIL               | 12       |
| .          | .           | 122338 REPLACEMENT INSTR. | 1        |
| 85         | 119779      | PLATFORM SCREW            | 8        |

MODEL NUMBER: PFTL2204  
 VERSION: 00  
 PRODUCT NAME: PROFORM PERSONAL TRAINER  
 PRODUCT DESC:

MODEL/PART BOOK LISTING

INI023P1

RUN DATE: 5/09/96

RUN TIME: 17:16:27

| KEY NUMBER | PART NUMBER | DESCRIPTION               | QUANTITY |
|------------|-------------|---------------------------|----------|
| 86         | 120844      | BELT TOOL                 | 1        |
| 87         | 120866      | CONTROLLER SCREW          | 2        |
| 88         | 120482      | CUSHION KNOB              | 1        |
| 89         | 122857      | LEFT FOOT RAIL ASSEMBLY   | 1        |
| .          | .           | 121615 LEFT FOOT RAIL     | 1        |
| .          | .           | 119018 PULLEY COVER       | 1        |
| .          | .           | 013516 SCREW              | 4        |
| 90         | 120867      | MOTOR TENSION NUT         | 1        |
| 91         | 122644      | MOTOR MOUNTING BKT ASSY   | 1        |
| .          | .           | 121588 MOTOR MTG BRACKET  | 1        |
| .          | .           | 120739 REPLACEMENT INSTR. | 1        |
| 92         | 113278      | PULY/FLYWHEEL/FAN ASSY    | 1        |
| 93         | 106939      | MOTOR BELT                | 1        |
| 94         | 123385      | MOTOR BOLT                | 2        |
| 95         | 120740      | MOTOR W/RI                | 1        |
| .          | .           | 124184 MOTOR              | 1        |
| .          | .           | 120739 REPLACEMENT INSTR. | 1        |
| 95A        | 120741      | MTR/PULY/FLWH/FAN ASSY    | 1        |
| .          | .           | 124184 MOTOR              | 1        |
| .          | .           | 113278 PULY/FLYWHEEL/FAN  | 1        |
| .          | .           | 120739 REPLACEMENT INSTR. | 1        |
| 96         | 119070      | SPEED DISK                | 1        |
| 97         | 120653      | OPTIC SWITCH BRACKET      | 1        |
| 98         | 122125      | OPTIC SWITCH BRACKET NUT  | 1        |
| 99         | 105477      | MOTOR NUT                 | 2        |
| 100        | 014086      | FLAT WASHER               | 2        |
| 101        | 126481      | RED HEADBAND              | 1        |
| 102        | 126558      | BLUE HEADBAND             | 1        |
| 103        | 015071      | PLASTIC STAND-OFF         | 4        |
| 104        | 129168      | SHIM SCREW                | 8        |
| 105        | 014157      | OPTIC SWITCH WASHER       | 1        |
| 106        | 120630      | BELT GUIDE SCREW          | 3        |
| 107        | 122812      | HARDENED WASHER           | 1        |
| .          | .           | NON-ILLUSTRATED PARTS     | 0        |
| .          | .           | NOTE: NO VIDEO WAS MADE   | 0        |
| .          | .           | FOR THIS TREADMILL        | 0        |
| #          | 101898      | 14" BLACK WIRE, 2F        | 1        |
| #          | 101799      | 9" BLACK WIRE, M/F        | 1        |
| #          | 109407      | 4" BLACK WIRE, 2F         | 1        |
| #          | 103823      | 14" WHITE WIRE, M/F       | 1        |
| #          | 102246      | 8" WHITE WIRE, 2F         | 1        |
| #          | 112083      | 8" BLUE WIRE, 2F          | 1        |
| #          | 118204      | 8" BLUE WIRE, M/F         | 1        |
| #          | 102634      | 8" GREEN GROUND WIRE      | 1        |
| #          | 118201      | 8" RED WIRE, M/F          | 1        |
| #          | 121395      | BATTERY (2 PACK)          | 1        |
| #          | 121388      | BATTERY COVER             | 1        |
| #          | 121708      | LEFT FRAME DECAL          | 1        |
| #          | 121707      | RIGHT FRAME DECAL         | 1        |
| #          | 121709      | MISC ADJUSTMENT DECAL     | 1        |
| #          | 121481      | WIRE DIAGRAM DECAL        | 1        |
| #          | 115872      | STRAIN RELIEF             | 1        |
| #          | 121712      | OWNER'S MANUAL            | 1        |
| #          | 121713      | LITERATURE PACKET         | 1        |

MODEL NUMBER: PFTL2204

MODEL/PART BOOK LISTING

PAGE 4

VERSION: 00

INI023P1

PRODUCT NAME: PROFORM PERSONAL TRAINER

RUN DATE: 5/09/96

PRODUCT DESC:

RUN TIME: 17:16:27

| KEY NUMBER | PART NUMBER | DESCRIPTION             | QUANTITY |
|------------|-------------|-------------------------|----------|
| .          | .           | 121712 OWNER'S MANUAL   | 1        |
| .          | .           | 120245 UPRIGHT ENDCAP   | 2        |
| .          | .           | 120644 PULSE SENSOR     | 1        |
| .          | .           | 121395 BATTERY (2 PACK) | 1        |
| .          | .           | 126481 RED HEADBAND     | 1        |
| .          | .           | 126558 BLUE HEADBAND    | 1        |
| .          | .           | 120244 CONSOLE KNOB     | 2        |
| .          | .           | 120844 BELT TOOL        | 1        |
| .          | .           | 122332 UPRIGHT SPACER   | 2        |
| .          | .           | 120003 3.5" SCREW       | 4        |
| .          | .           | 014132 3/8" WASHER      | 4        |
| .          | .           | 014117 STAR WASHER      | 2        |
| .          | .           | 119038 SAFETY CLIP/KEY  | 1        |