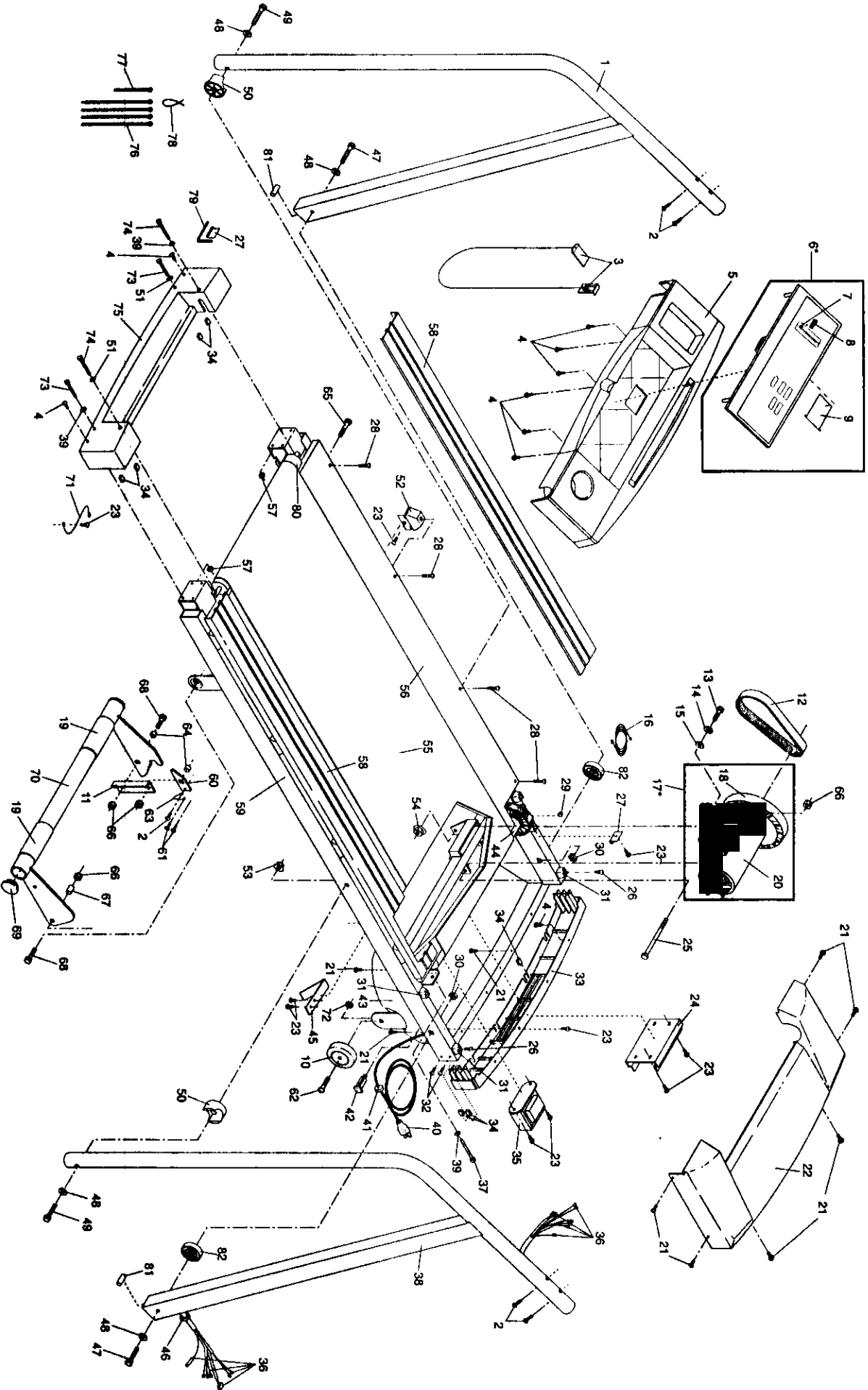


EXPLODED DRAWING—Model No. PFTL31060

R1096B



MODEL NUMBER: PFTL3106
 VERSION: 00
 PRODUCT NAME: PROFORM 375E
 PRODUCT DESC: TREADMILL

MODEL/PART BOOK LISTING

RUN DATE: 5/08/97
 RUN TIME: 19:46:45

KEY NUMBER	PART NUMBER	DESCRIPTION	QUANTITY
.	.	PROFORM 375E	0
.	.	11/96 CLEARFIELD	0
1	131758	LEFT UPRIGHT/HANDRAIL	1
2	013576	SCREW	4
3	119038	KEY/CLIP	1
4	126996	CONSOLE/COVER SCREW	14
5	131606	CONSOLE BASE	1
6	132927	CONSOLE	1
7	131161	SPEED POTENTIOMETER	1
8	128113	SPEED CONTROL	1
9	129639	BATTERY COVER	1
10	123647	FRONT WHEEL	2
11	131689	INCLINE LEG PLATE	1
12	135866	MOTOR BELT	1
13	013547	MOTOR TENSION BOLT	1
14	122812	MOTOR TENSION WASHER	1
15	014117	STAR WASHER	1
16	118153	REED SWITCH WIRE	1
17	132388	MTR/PULY/FLWH/FAN	1
18	112825	PULY/FLWH/FAN	1
19	123961	INCLINE LEG COVER	2
20	132387	MOTOR	1
21	129168	SMALL SCREW	14
22	134828	MOTOR HOOD	1
23	120630	MOUNTING SCREW	19
24	137856	CONTROLLER	1
25	107503	MOTOR PIVOT BOLT	1
26	013322	ANCHOR SCREW	4
27	016028	ADHESIVE CLIP	2
28	128272	PLATFORM SCREW	8
29	100498	MAGNET	1
30	111430	CAGE NUT	2
31	113106	HOOD ANCHOR	4
32	013300	COVER SCREW	8
33	132766	FRAME COVER	1
34	133333	COVER CLIP	8
35	130993	CHOKE	1
36	135548	WIRE HARNESS	1
37	013068	FRONT ROLLER ADJ BOLT	1
38	131763	RIGHT UPRIGHT/HANDRAIL	1
39	014063	ADJUSTMENT WASHER	2
40	124669	POWER CORD	1
41	124695	STRAIN RELIEF	1
42	109382	CIRCUIT BREAKER	1
43	131756	BELLY PAN	1
44	133598	FRONT ROLLER/PULLEY	1
45	124318	BELT GUIDE	2
46	129004	GROMMET	1
47	.	3/8" X 4" BOLT, SEE# 49	0
48	014132	3/8" WASHER	4
49	120003	3/8" X 3.5" BOLT	2
50	131813	HANDRAIL SPACER	2
51	014127	ENDCAP WASHER	2
52	134592	ISOLATOR	8

MODEL NUMBER: PFTL3106
 VERSION: 00
 PRODUCT NAME: PROFORM 375E
 PRODUCT DESC: TREADMILL

MODEL/PART BOOK LISTING

PAGE 2
 INI023P1
 RUN DATE: 5/08/97
 RUN TIME: 19:46:45

KEY NUMBER	PART NUMBER	DESCRIPTION	QUANTITY
53	120867	FLANGE NUT	3
54	.	MTR TENSION NUT, SEE# 53	0
55	128954	WALKING BELT W/FASTENERS	1
56	135608	WALKING BOARD W/FASTENERS	1
57	121576	COVER NUT	2
58	133698	L/R FOOT RAIL W/FASTENERS	2
59	NSP	FRAME	1
60	131240	INCLINE LATCH	1
61	108080	RATCHET SCREW	2
62	117806	FRONT WHEEL BOLT	2
63	120655	LATCH SPRING	1
64	128271	SHORT SPACER	2
65	124123	INCLINE LEG BOLT	1
66	119425	INCLINE LEG/MOTOR NUT	4
67	130518	LONG SPACER	1
68	013375	INCLINE LEG PIVOT BOLT	2
69	116980	INCLINE LEG CAP	2
70	131748	INCLINE LEG	1
71	130426	GROUND WIRE	1
72	012156	FRONT WHEEL NUT	2
73	013523	LONG REAR COVER SCREW	2
74	013342	REAR ROLLER ADJ BOLT	2
75	132880	REAR ROLLER COVER	1
76	016057	8" CABLE TIE	3
77	016029	4" CABLE TIE	1
78	116926	WIRE TIE	1
79	126040	ALLEN WRENCH	1
80	133845	REAR ROLLER	1
81	.	UPRIGHT SPACER, NOT USED	0
82	129542	ROUND UPRIGHT SPACER	2
.	.	NON-ILLUSTRATED PARTS	0
#	127819	FRAME PLUG	2
#	135025	BOOK RACK	1
#	131090	REED SWITCH WIRE CLAMP	1
#	127860	FASTENER	12
#	131765	HOOD DECAL	1
#	131672	WIRE DIAGRAM	1
#	107771	8" WHITE WIRE, M/F	1
#	131766	USER'S MANUAL	1
#	131767	LITERATURE PACKET	1
.	.	119038 KEY/CLIP	1
.	.	131766 USER'S MANUAL	1
.	.	131829 HARDWARE KIT	1
.	.	126040 WRENCH	1
.	.	016028 WRENCH CLIP	1
.	.	120003 3.5" SCREW	2
.	.	120867 3/8" NUT	2
.	.	014032 WASHER	4
.	.	126996 SCREW	4
.	.	129542 SPACER, UPRIGHT	2
.	.	131813 SPACER, HANDLEBAR	2