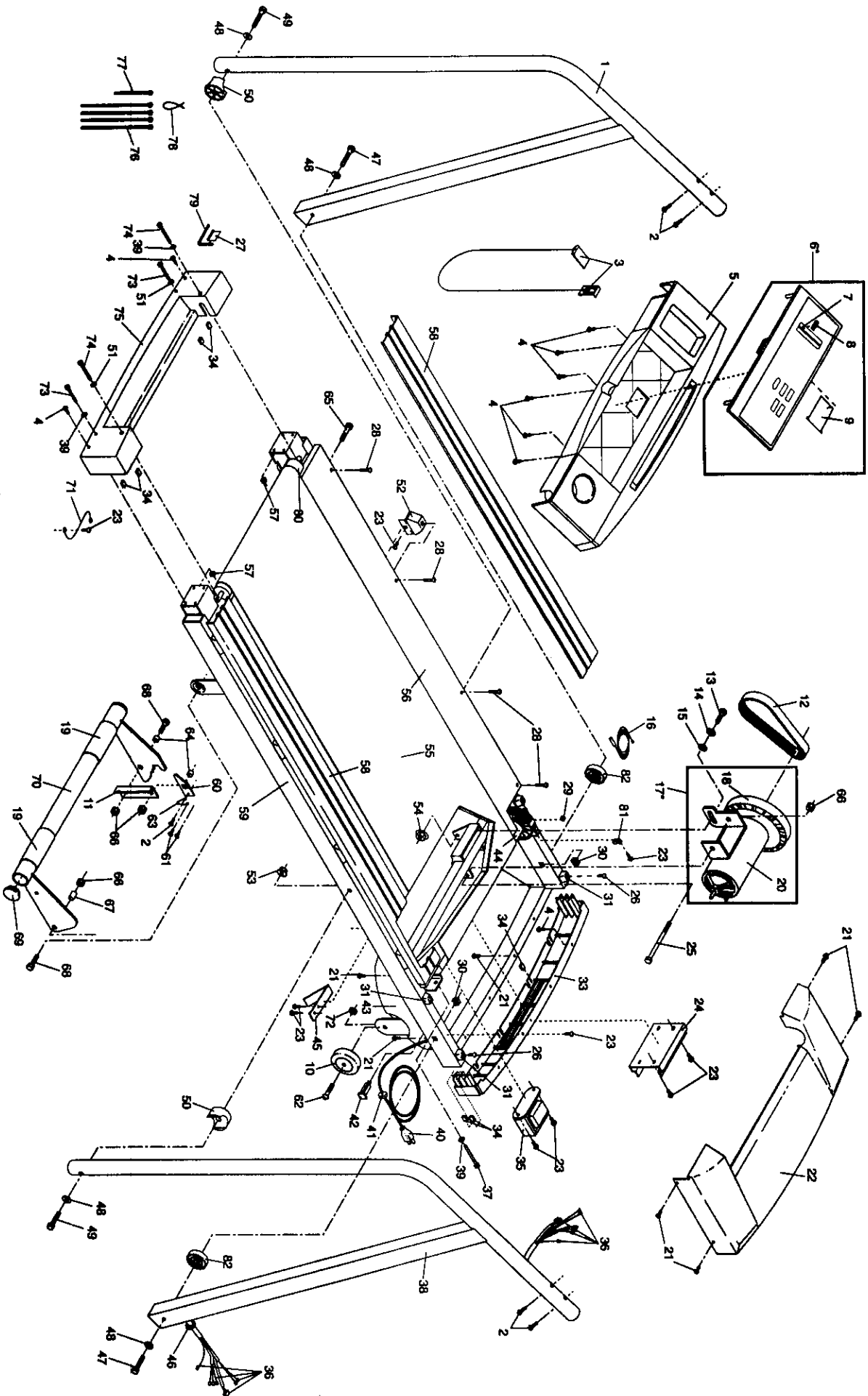


EXPLODED DRAWING—Model No. PFTL31061

RC397A



MODEL NUMBER: PFTL3106
VERSION: 01
PRODUCT NAME: PROFORM 375E
PRODUCT DESC:

MODEL/PART BOOK LISTING

PAGE 1
INI023P1
RUN DATE: 4/16/97
RUN TIME: 12:57:05

| KEY NUMBER | PART NUMBER | DESCRIPTION | QUANTITY |
|------------|-------------|-------------------------|----------|
| . | . | PROFORM 375E | 0 |
| . | . | 3/97 CLEARFIELD | 0 |
| 1 | 131758 | LEFT UPRIGHT/HANDRAIL | 1 |
| 2 | 013576 | SCREW | 4 |
| 3 | 119038 | KEY/CLIP | 1 |
| 4 | 126996 | CONSOLE/COVER SCREW | 14 |
| 5 | 131606 | CONSOLE BASE | 1 |
| 6 | 132927 | CONSOLE | 1 |
| 7 | 131161 | SPEED POTENTIOMETER | 1 |
| 8 | 128113 | SPEED CONTROL | 1 |
| 9 | 129639 | BATTERY COVER | 1 |
| 10 | 123647 | FRONT WHEEL | 2 |
| 11 | 131689 | INCLINE LEG PLATE | 1 |
| 12 | 135866 | MOTOR BELT | 1 |
| 13 | 013547 | MOTOR TENSION BOLT | 1 |
| 14 | 122812 | MOTOR TENSION WASHER | 1 |
| 15 | 014117 | STAR WASHER | 1 |
| 16 | 118153 | REED SWITCH WIRE | 1 |
| 17 | 132388 | MTR/PULY/FLWH/FAN | 1 |
| 18 | 112825 | PULY/FLWH/FAN | 1 |
| 19 | 123961 | INCLINE LEG COVER | 2 |
| 20 | 132387 | MOTOR | 1 |
| 21 | 129168 | SMALL SCREW | 14 |
| 22 | 134828 | MOTOR HOOD | 1 |
| 23 | 120630 | MOUNTING SCREW | 19 |
| 24 | 129843 | CONTROLLER | 1 |
| 25 | 107503 | MOTOR PIVOT BOLT | 1 |
| 26 | 013322 | ANCHOR SCREW | 4 |
| 27 | 016028 | ADHESIVE CLIP | 2 |
| 28 | 128272 | PLATFORM SCREW | 8 |
| 29 | 100498 | MAGNET | 1 |
| 30 | 111430 | CAGE NUT | 2 |
| 31 | 113106 | HOOD ANCHOR | 4 |
| 32 | 013300 | COVER SCREW | 8 |
| 33 | 132766 | FRAME COVER | 1 |
| 34 | 133333 | COVER CLIP | 8 |
| 35 | 130993 | CHOKE | 1 |
| 36 | 135548 | WIRE HARNESS | 1 |
| 37 | 112609 | FRONT ROLLER ADJ BOLT | 1 |
| 38 | 131763 | RIGHT UPRIGHT/HANDRAIL | 1 |
| 39 | 014063 | ADJUSTMENT WASHER | 2 |
| 40 | 124669 | POWER CORD | 1 |
| 41 | 124695 | STRAIN RELIEF | 1 |
| 42 | 109382 | CIRCUIT BREAKER | 1 |
| 43 | 131756 | BELLY PAN | 1 |
| 44 | 133598 | FRONT ROLLER/PULLEY | 1 |
| 45 | 124318 | BELT GUIDE | 2 |
| 46 | 129004 | GROMMET | 1 |
| 47 | . | 3/8" X 4" BOLT, SEE# 49 | 0 |
| 48 | 014132 | 3/8" WASHER | 4 |
| 49 | 120003 | 3/8" X 3.5" BOLT | 2 |
| 50 | 131813 | HANDRAIL SPACER | 2 |
| 51 | 014127 | ENDCAP WASHER | 2 |
| 52 | 134592 | ISOLATOR | 8 |

MODEL NUMBER: PFTL3106
 VERSION: 01
 PRODUCT NAME: PROFORM 375E
 PRODUCT DESC:

MODEL/PART BOOK LISTING

PAGE 2
 IMI023P1
 RUN DATE: 4/16/97
 RUN TIME: 12:57:05

| KEY NUMBER | PART NUMBER | DESCRIPTION | QUANTITY |
|------------|-------------|---------------------------|----------|
| 53 | 120867 | FLANGE NUT | 3 |
| 54 | . | MTR TENSION NUT, SEE# 53 | 0 |
| 55 | 128954 | WALKING BELT W/FASTENERS | 1 |
| 56 | 135550 | WALKING BOARD W/FASTENERS | 1 |
| 57 | 121576 | COVER NUT | 2 |
| 58 | . | FOOT RAIL WHAT IS NEEDED? | 0 |
| . | 135527 | LT FOOT RAIL W/FASTENERS | 1 |
| . | 135528 | RT FOOT RAIL W/FASTENERS | 1 |
| 59 | NSP | FRAME | 1 |
| 60 | 131240 | INCLINE LATCH | 1 |
| 61 | 108080 | RATCHET SCREW | 2 |
| 62 | 117806 | FRONT WHEEL BOLT | 2 |
| 63 | 120655 | LATCH SPRING | 1 |
| 64 | 128271 | SHORT SPACER | 2 |
| 65 | 124123 | INCLINE LEG BOLT | 1 |
| 66 | 119425 | INCLINE LEG/MOTOR NUT | 4 |
| 67 | 130518 | LONG SPACER | 1 |
| 68 | 013375 | INCLINE LEG PIVOT BOLT | 2 |
| 69 | 116980 | INCLINE LEG CAP | 2 |
| 70 | 131748 | INCLINE LEG | 1 |
| 71 | 130426 | GROUND WIRE | 1 |
| 72 | 012156 | FRONT WHEEL NUT | 2 |
| 73 | 013523 | LONG REAR COVER SCREW | 2 |
| 74 | 013342 | REAR ROLLER ADJ BOLT | 2 |
| 75 | 132880 | REAR ROLLER COVER | 1 |
| 76 | 016057 | 8" CABLE TIE | 3 |
| 77 | 016029 | 4" CABLE TIE | 1 |
| 78 | 116926 | WIRE TIE | 1 |
| 79 | 126040 | ALLEN WRENCH | 1 |
| 80 | 133845 | REAR ROLLER | 1 |
| 81 | . | UPRIGHT SPACER, NOT USED | 0 |
| 82 | 129542 | ROUND UPRIGHT SPACER | 2 |
| . | . | NON-ILLUSTRATED PARTS | 0 |
| # | 135025 | BOOK RACK | 1 |
| # | 131090 | REED SWITCH WIRE CLAMP | 1 |
| # | 127860 | FASTENER | 12 |
| # | 131765 | HOOD DECAL | 1 |
| # | 131672 | WIRE DIAGRAM | 1 |
| # | 107771 | 8" WHITE WIRE, M/F | 1 |
| # | 134687 | USER'S MANUAL | 1 |
| # | 134686 | LITERATURE PACKET | 1 |
| . | 134687 | USER'S MANUAL | 1 |
| . | 119038 | KEY/CLIP | 1 |
| . | 131829 | HARDWARE KIT | 1 |
| . | 126040 | WRENCH | 1 |
| . | 016028 | WRENCH CLIP | 1 |
| . | 120003 | 3.5" SCREW | 2 |
| . | 120867 | 3/8" NUT | 2 |
| . | 014032 | WASHER | 4 |
| . | 126996 | SCREW | 4 |
| . | 129542 | SPACER, UPRIGHT | 2 |
| . | 131813 | SPACER, HANDLEBAR | 2 |