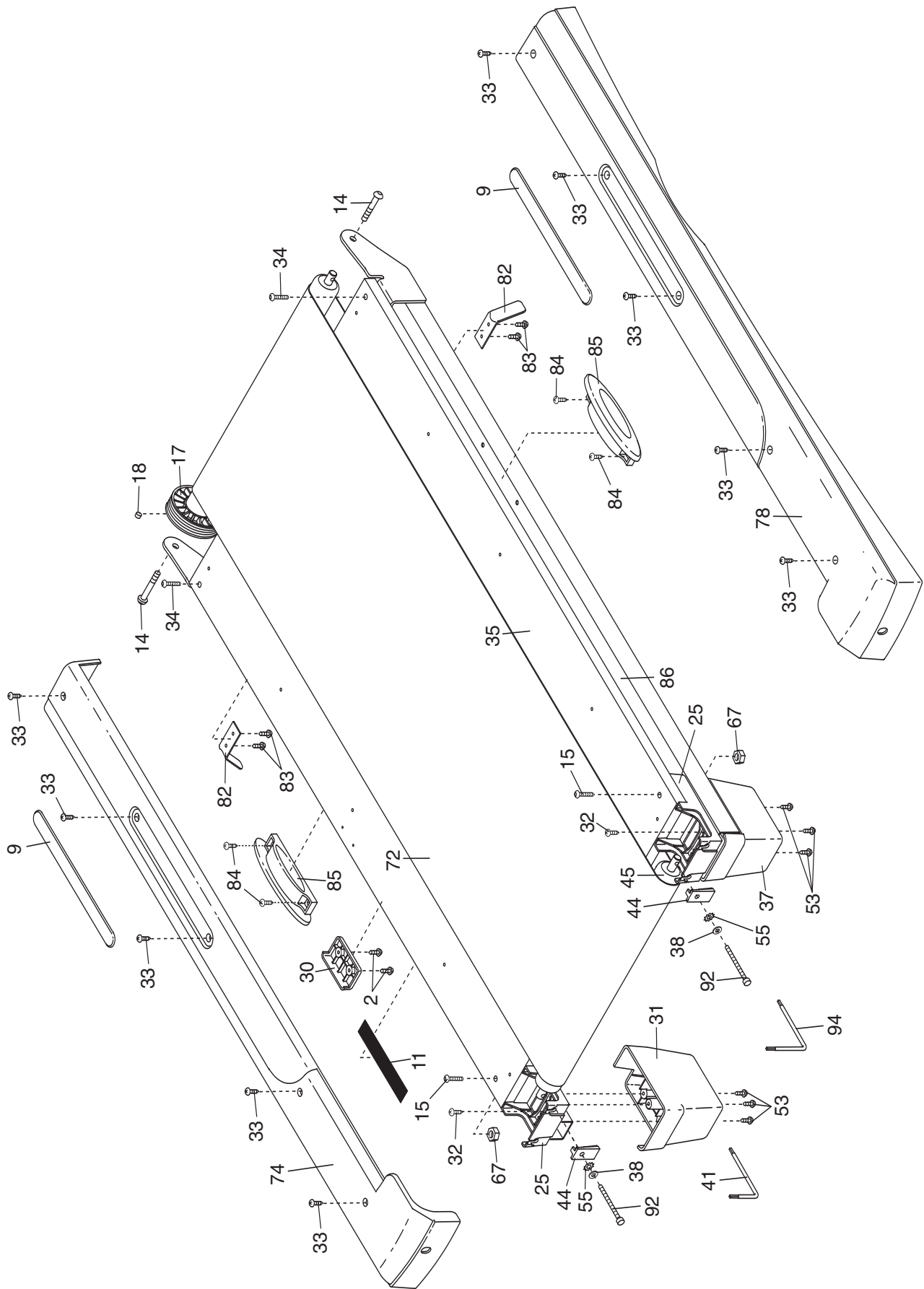


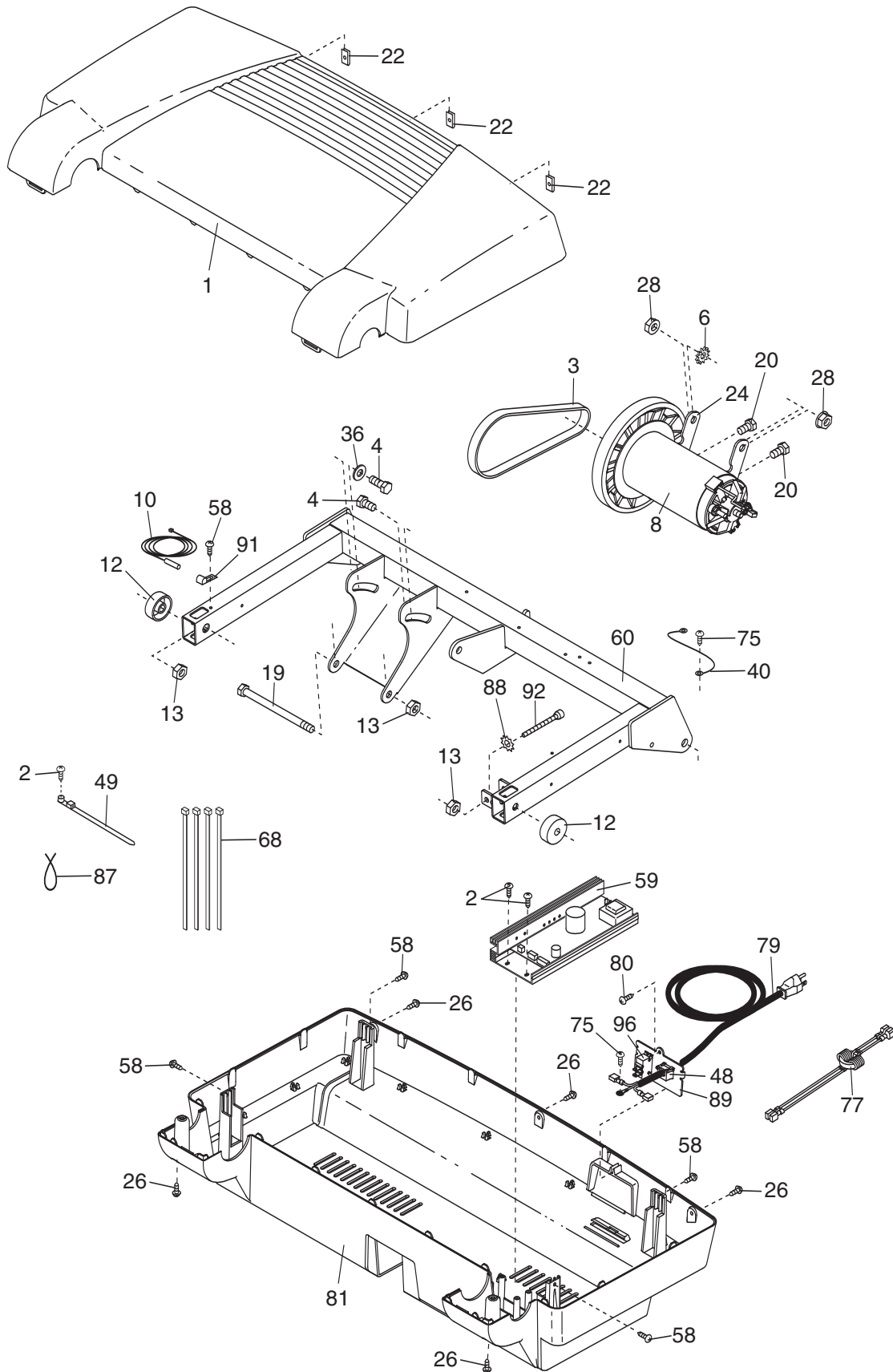
# EXPLODED DRAWING A—Model No. PFTL31906.0

R0507A



# EXPLODED DRAWING B—Model No. PFTL31906.0

R0507A



# EXPLODED DRAWING C—Model No. PFTL31906.0

R0507A

